

# BERKELEY® B5ZRBH

## Cast Iron Impeller

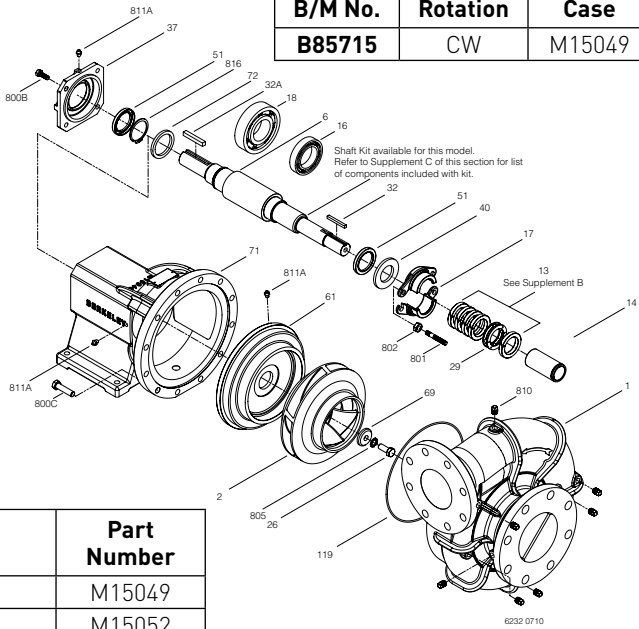
Power Frame Case, Packing Construction

### BEARING FRAME MOUNT

Section	FM
Page	227.1
Date	March 4, 2013
Supersedes 08/17/10	

**Table I**

B/M No.	Rotation	Volute Case	Impeller	Impeller Diameter
<b>B85715</b>	CW	M15049	M15052	9.50"



Item No.	Part Description	Part Number
1	Case, Volute	M15049
2	Impeller	M15052
6	Shaft	M15091
13	Ring, Packing (Set of 4)	S13435
14	Sleeve, Shaft (Note 3)	B85741
16	Bearing, Ball	M15097
17	Gland, Packing	B82470
18	Bearing, Ball	S13754
26	Screw, Impeller	S23621
29	Ring, Lantern	S19200
32	Key, 1/4" X 2-1/4"	S23677
32A	Key, 3/8" x 2-1/2"	S23941
37	Outer Bearing Cap	M15054
40	Slinger, Water	S10964
51	Seal, Oil (2 rqd)	M12337
61	Plate, Seal	M15047
69	Washer, Impeller	S06319
71	Bracket	M15043
72	Ring, Thrust	M15095
119	O-Ring	M15099
800B	Screw, 3/8-16 X 1" LG CRS (4 rqd)	S26826
800C	Screw, 1/2-13NC X 2" LG CRS (12 rqd)	S26920
801	Stud, 3/8-16NC X 2-1/2" LG 416SS (2 rqd)	S04438
802	Nut, Hex, Lock 3/8-16 SS (2 rqd)	M13771
805	Washer, Lock	S23038
810	Plug, Pipe	S23715

Item No.	Part Description	Part Number
811A	Fitting, Grease	S23700
811B	Fitting, Grease	S23702
816	Ring, Retaining	M15094
72	Ring, Thrust	M15095
119	O-Ring	M15099
800B	Screw, 3/8-16 X 1" LG CRS (4 rqd)	S26826
800C	Screw, 1/2-13NC X 2" LG CRS (12 rqd)	S26920
801	Stud, 3/8-16NC X 2-1/2" LG 416SS (2 rqd)	S04438
802	Nut, Hex, Lock 3/8-16 SS (2 rqd)	M13771
805	Washer, Lock	S23038
810	Plug, Pipe	S23715
811A	Fitting, Grease	S23700
811B	Fitting, Grease	S23702
816	Ring, Retaining	M15094

**NOTE 1: Shaft Replacement Kit B85739** includes items 6, 14, 16, 18, 26, 32, 32A, 40, 51, 69, 72, 805, 816.

**NOTE 2: Impeller Kit B85755** includes items 26, 32, 69, 119, 805.

**NOTE 3: Shaft Sleeve Kit B85741** includes item 14, adhesive and instruction sheet.



# BERKELEY® B5ZRBHS

## Cast Iron Impeller

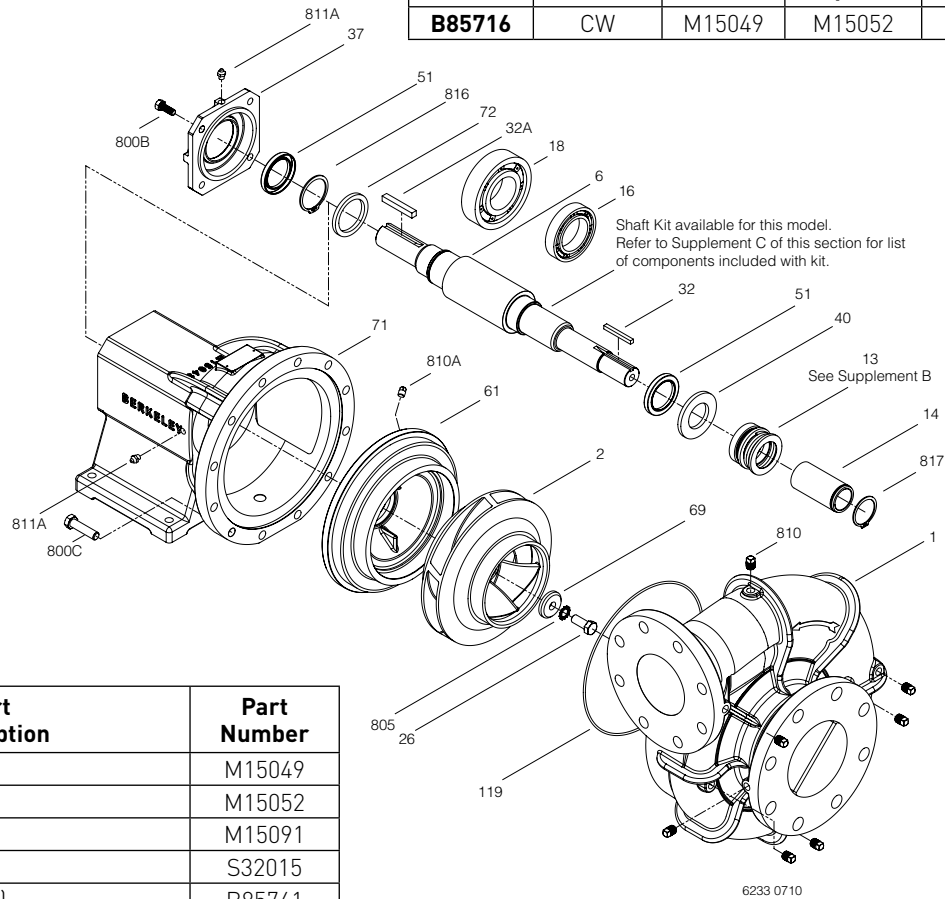
Power Frame Case, Mechanical Shaft Seal Construction

### BEARING FRAME MOUNT

Section	FM
Page	227.2
Date	March 4, 2013
Supersedes 08/17/10	

**Table I**

B/M No.	Rotation	Volute Case	Impeller	Impeller Diameter
<b>B85716</b>	CW	M15049	M15052	9.50"



Item No.	Part Description	Part Number
1	Case, Volute	M15049
2	Impeller	M15052
6	Shaft	M15091
13	Seal, Mechanical	S32015
14	Sleeve, Shaft (Note 3)	B85741
16	Bearing, Ball	M15097
18	Bearing, Ball	S13754
26	Screw, Impeller	S23621
32	Key, 1/4" X 2-1/4"	S23677
32A	Key, 3/8" x 2-1/2"	S23941
37	Outer Bearing Cap	M15054
40	Slinger, Water	S10964
51	Seal, Oil	M12337
61	Plate, Seal	M15046
69	Washer, Impeller	S06319
71	Bracket	M15043
72	Ring, Thrust	M15095
119	O-Ring	M15099
800B	Screw, 3/8-16 X 1 LG CRS [4 rqd]	S26826
800C	Screw, 1/2-13NC X 2 LG CRS [12 rqd]	S26920

Item No.	Part Description	Part Number
805	Washer, Lock	S23038
810	Plug, Pipe	S23715
810A	Plug, Pipe	U78-56ZPS
811A	Fitting, Grease	S23700
816	Ring, Retaining	M15094
817	Ring, Retaining	S16767

**NOTE 1: Shaft Replacement Kit B85739** includes items 6, 14, 16, 18, 26, 32, 32A, 40, 51, 69, 72, 805, 816.

**NOTE 2: Impeller Kit B85755** includes items 26, 32, 69, 119, 805.

**NOTE 3: Shaft Sleeve Kit B85741** includes item 14, adhesive and instruction sheet.

