

# BERKELEY® B3TRMS

## Cast Iron Impeller

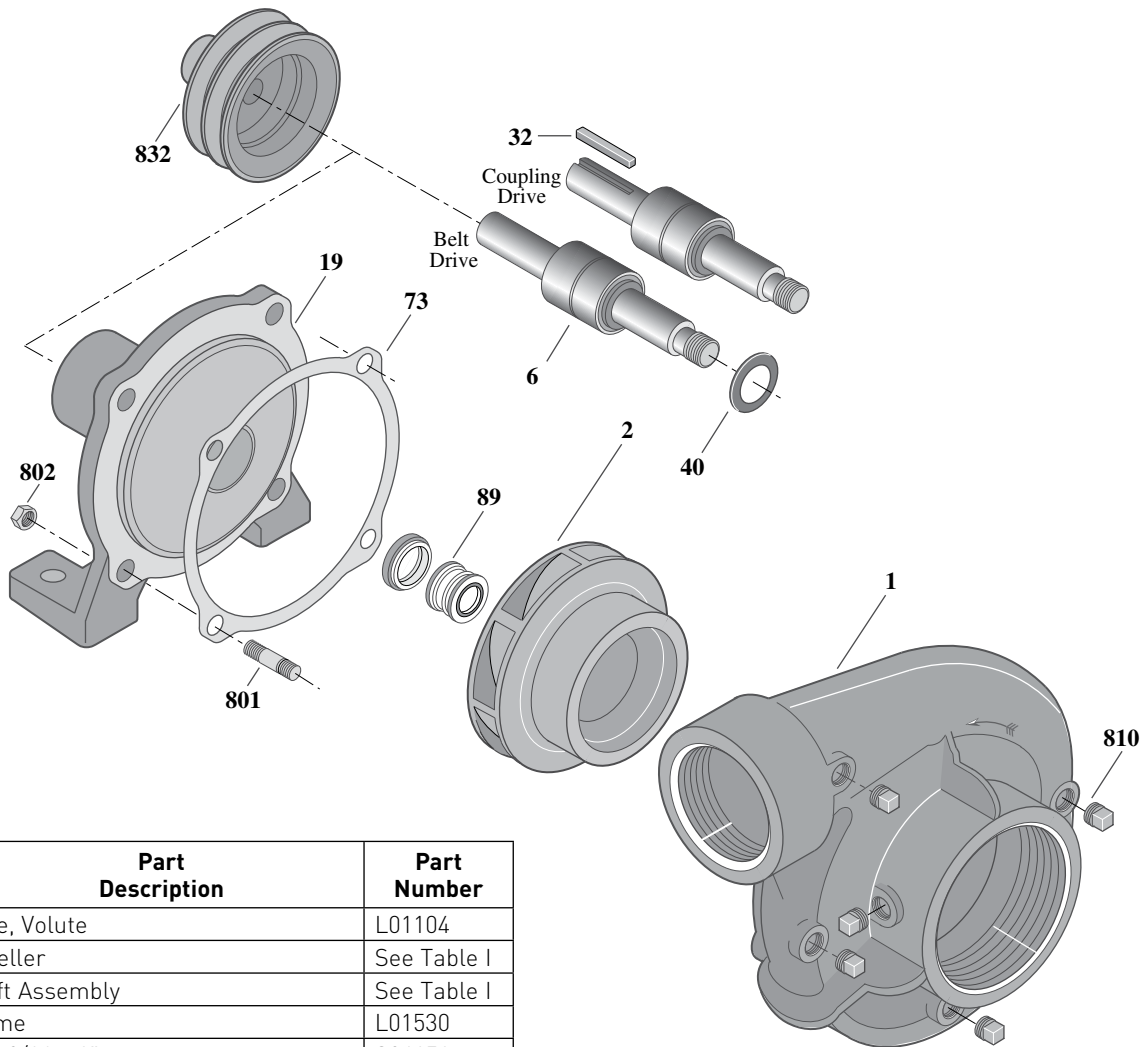
Threaded Case (NPT), Mechanical Seal Construction

### BELT/COUPLING DRIVE

|                     |               |
|---------------------|---------------|
| Section             | B/C           |
| Page                | 80.1          |
| Date                | March 4, 2013 |
| Supersedes 01/01/04 |               |

**Table I**

| B/M No.       | Drive Type    | Shaft No. | Impeller | Impeller Diameter |
|---------------|---------------|-----------|----------|-------------------|
| <b>B56420</b> | Coupling - CW | S17858    | M02961   | 6.50"             |
| <b>B03542</b> | Belt - CW     | S06402    | M02961   | 6.50"             |



| Item No. | Part Description             | Part Number |
|----------|------------------------------|-------------|
| 1        | Case, Volute                 | L01104      |
| 2        | Impeller                     | See Table I |
| 6        | Shaft Assembly               | See Table I |
| 19       | Frame                        | L01530      |
| 32       | Key, 3/16 x 1"               | S24151      |
| 40       | Slinger, Water               | S21906      |
| 73       | Gasket, Case                 | S04757      |
| 89       | Seal, Mechanical Shaft       | S06405      |
| 801      | Stud, 1/2-13 (4 Req.)        | S24043      |
| 802      | Nut, Hex 1/2-13 (4 Req.)     | S23107      |
| 810      | Pipe Plug, 1/4" NPT (5 Req.) | S23715      |
| 832      | Sheave                       | S06407      |

