

# BERKELEY® B10GRMBM

## Cast Iron Impeller

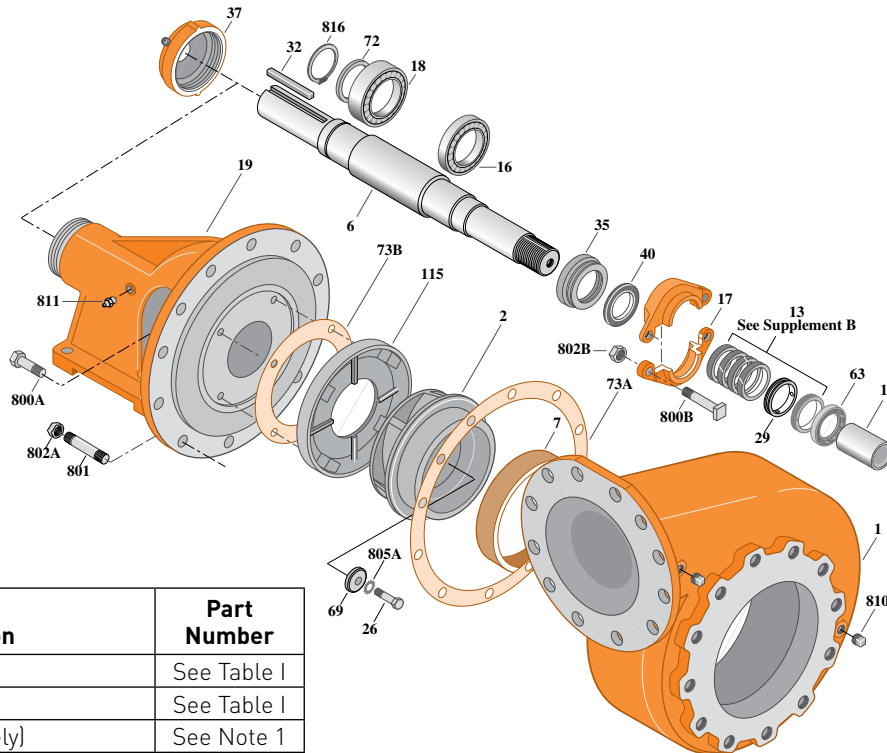
Flanged Case, Packing Construction

### BEARING FRAME MOUNT

Section	FM
Page	330.1
Date	March 4, 2013
Supersedes 01/01/04	

Table I

B/M No.	Rotation	Volute Case	Impeller	Impeller Diameter
B52381	CW	H02389	L04063	12.12"



Item No.	Part Description	Part Number
1	Case, Volute	See Table I
2	Impeller	See Table I
6	Shaft [Not sold separately]	See Note 1
7	Ring, Wearing	M00999
13	Ring, Packing [Set of 4]	S13436
14	Sleeve, Shaft	S05974
16	Bearing, Ball	S15604
17	Gland, Packing	B82472
18	Bearing, Ball	S13396
19	Frame	H01599
26	Screw, Impeller 1/2-13x2-1/2"	S23629
29	Ring, Lantern	S18993
32	Key, 1/2x4"	S24214
35	Inner Bearing Cap	S05928
37	Outer Bearing Cap Assembly*	S35277
40	Slinger, Water	S10964
63	Bushing, Throat	S18992
69	Washer, Impeller	S06319
72	Ring, Thrust	S06519
73A	Gasket, Volute	S06271

Item No.	Part Description	Part Number
73B	Gasket, Balance Ring	S09943
115	Ring, Balance	S12335
800A	Capscrew, Hex 3/8-16x1" [4 Req.]	S26826
800B	Bolt, Sq. Head 1/2-13x2-3/4" [2 Req.]	S23794
801	Stud, 5/8-11x2-1/4" [12 Req.]	S24061
802A	Nut, Hex 5/8-11 [12 Req.]	S23109
802B	Nut, Hex 1/2-13x7/16" [2 Req.]	S23347
805A	Washer, Lock	S23038
810	Plug, Pipe 1/2 NPT [4 Req.]	S23717
811	Fitting, Grease	S23670
816	Ring, Retaining	S23016

\* Includes grease fitting and set screw.

**NOTE 1: Shaft Replacement Kit** available for this model. Berkeley part number **B07596**. Pump Shaft sold in shaft replacement kit only.



# BERKELEY® B10GRMBMS

## Cast Iron Impeller

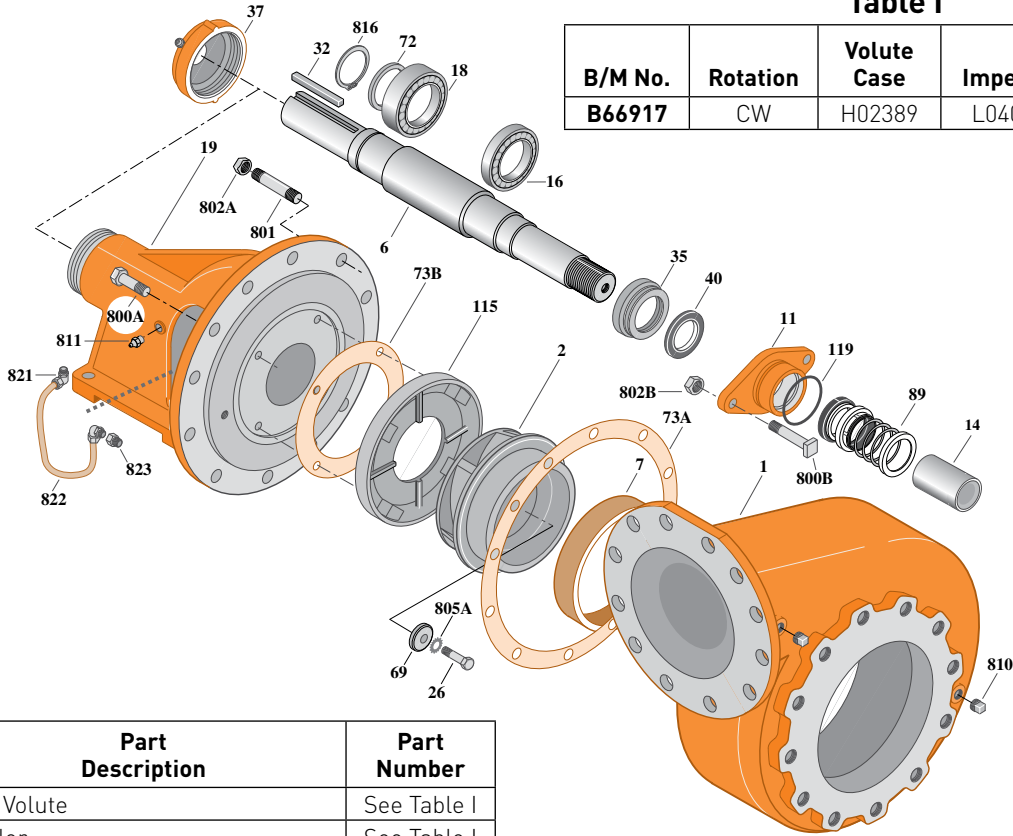
Flanged Case, Mechanical Seal Construction

### BEARING FRAME MOUNT

Section	FM
Page	330.2
Date	March 4, 2013
Supersedes 01/01/04	

Table I

B/M No.	Rotation	Volute Case	Impeller	Impeller Diameter
B66917	CW	H02389	L04063	12.12"



Item No.	Part Description	Part Number
1	Case, Volute	See Table I
2	Impeller	See Table I
6	Shaft (Not sold separately)	See Note 1
7	Ring, Wearing	M00999
11	Retainer, Mechanical Shaft Seal	S11452
14	Sleeve, Shaft	S05974
16	Bearing, Ball	S15604
18	Bearing, Ball	S13396
19	Frame	H01838
26	Screw, Impeller 1/2-13x2-1/2"	S23629
32	Key, 1/2x4"	S24214
35	Inner Bearing Cap	S05928
37	Outer Bearing Cap Assembly*	S35277
40	Slinger, Water	S10964
69	Washer, Impeller	S06319
72	Ring, Thrust	S06519
73A	Gasket, Volute	S06271
73B	Gasket, Balance Ring	S09943
89	Seal, Mechanical Shaft	S32693
115	Ring, Balance	S13592

Item No.	Part Description	Part Number
119	O-Ring	S26471
800A	Capscrew, Hex 3/8-16x1" (4 Req.)	S26826
800B	Bolt, Sq. Head 1/2-13x2-1/4" (2 Req.)	S23792
801	Stud, 5/8-11x2-1/4" (12 Req.)	S24061
802A	Nut, Hex 5/8-11 (12 Req.)	S23109
802B	Nut, Hex 1/2-13x7/16" (2 Req.)	S23347
805A	Washer, Lock	S23038
810	Plug, Pipe 1/2 NPT (5 Req.)	S23717
811	Fitting, Grease	S23670
816	Ring, Retaining	S23016
821	Elbow, Comp. Fitting (2 Req.)	S24128
822	Tubing, Copper	S20677
823	Bushing, Pipe	S24544

\* Includes grease fitting and set screw.

**NOTE 1: Shaft Replacement Kit** available for this model. Berkeley part number **B07596**. Pump Shaft sold in shaft replacement kit only.



# BERKELEY® B10GRMBMS

## Cast Iron Impeller

Flanged Case, Dry Run

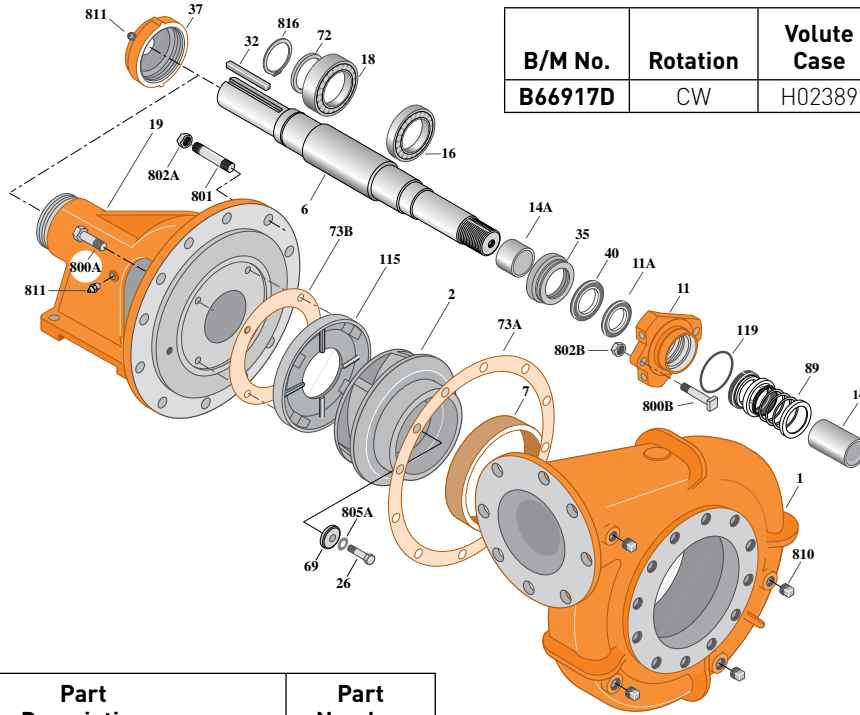
Mechanical Shaft Seal Construction

## BEARING FRAME MOUNT

Section	FM
Page	330.3
Date	March 4, 2013
Supersedes 12/01/11	

Table I

B/M No.	Rotation	Volute Case	Impeller	Impeller Diameter
B66917D	CW	H02389	L04063	12.12"



6459 0911

Item No.	Part Description	Part Number
1	Case, Volute	See Table 1
2	Impeller	See Table 1
6	Shaft	See Note 1
7A	Ring, Wearing	M00999
11	Retainer, Mechanical Shaft Seal, Dry Run	M14959
11A	Dry Run Gland Lip Seal	M12337
14	Sleeve, Shaft	S05974L
14A	Sleeve, Shaft	M14971
16	Bearing, Ball	S15604
18	Bearing, Ball	S13396
19	Frame	M14963
26	Screw, Impeller 1/2-13x3"	S23631
32	Key, 1/2x4"	S24214
35	Inner Bearing Cap	S05928
37	Outer Bearing Cap Assembly*	S35277
40	Slinger, Water	S10964
69	Washer, Impeller	S06319
72	Ring, Thrust	S06519
73A	Gasket, Volute	S06271
73B	Gasket, Balance Ring	S09943
89	Seal, Mechanical Shaft	S32693

Item No.	Part Description	Part Number
115	Ring, Balance	S13592
119	O-Ring	S26471
800A	Capscrew, Hex 3/8-16x1" (4 Rqd.)	S26826
800B	Bolt, Sq. Head 1/2-13x2-1/4" (2 Rqd.)	S23792
801	Stud, 5/8 - 11x2-1/4" (10 Rqd.)	S24061
801A	Stud, 5/8 - 11x2-1/2" (2 Rqd.)	S24062
802A	Nut, Hex 5/8-11" (12 Rqd.)	S23109
802B	Nut, Hex 1/2-13x7/16" (2 Rqd.)	S23347
805A	Washer, Lock	S23038
810	Plug, Pipe 1/2 NPT (6 Rqd.)	S23717
811	Fitting, grease (2 Rqd.)	S23670
816	Ring, Retaining	S23016

**NOTE 1: Shaft Replacement Kit** is available for this model. Berkeley part number **B07596**. Pump shaft sold in replacement kit only. Refer to **Supplement C** for shaft kit components.

**NOTE 2: Refer to Supplement F** for dry run tank repair parts. Dry run lubrication system requires one gallon of food grade hydraulic oil (FGHO), viscosity 150 SSU at 100 °F. Oil not supplied, purchase locally.

\* Includes grease fitting and set screw.

