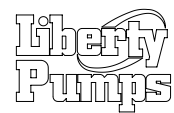
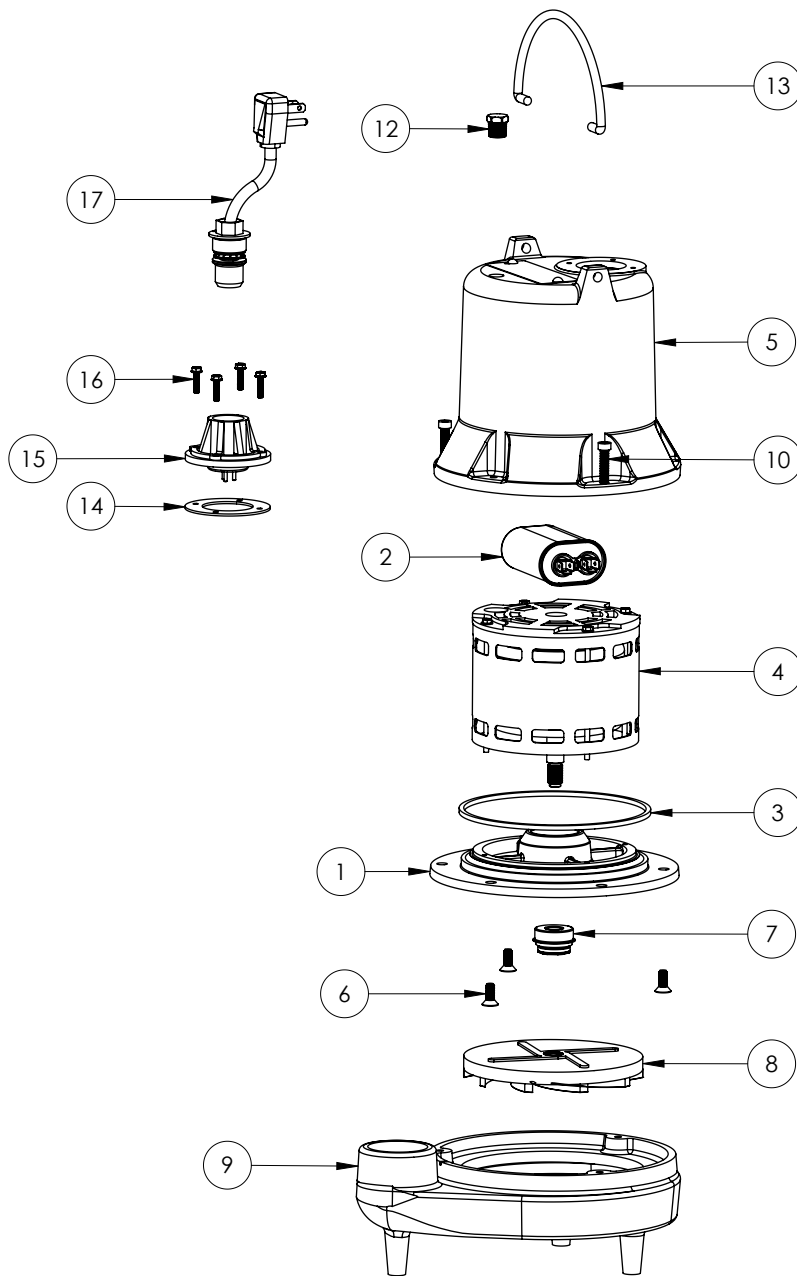


FL32M (B42)



FL32M**FL32M (B42)**

#	PART #	DESCRIPTION	QTY	Note
1	509200R	MOTOR SUPPORT PLATE	1	
2	51930E0	CAPACITOR	1	
3	5066000	SEALRING, MOTOR COVER, #254S	1	[1]
4	51982A0	MOTOR .5HP PSC 230V	1	[1]
5	545000R	MOTOR COVER	1	
6	8018000	1/4-20 x 5/8 SLOTTED FLAT HEAD BOLT	3	
7	50980A0	1/2 INCH UNITIZED SEAL	1	[1]
8	K001169	IMPELLER	1	
9	500100R	HOUSING, VOLUTE	1	
10	8091000	1/4-20 x 1 HEX SOCKET HEAD BOLT	3	
12	50710A0	PIPE PLUG, 1/4" HEX HD BRASS NPTF	1	
13	K001095	STAINLESS STEEL HANDLE	1	
14	5060000	CORD PLATE GASKET	1	
15	5014000	CORD PLATE	4	
16	8064000	#8-32 x 5/8 HEX WASHER HEAD SCREW	4	
17	K001058	POWER CORD, 10FT. 230V	1	

PART NOTES:

[1] - Part requires factory authorized service. Contact Liberty Pumps at 1-800-543-2550