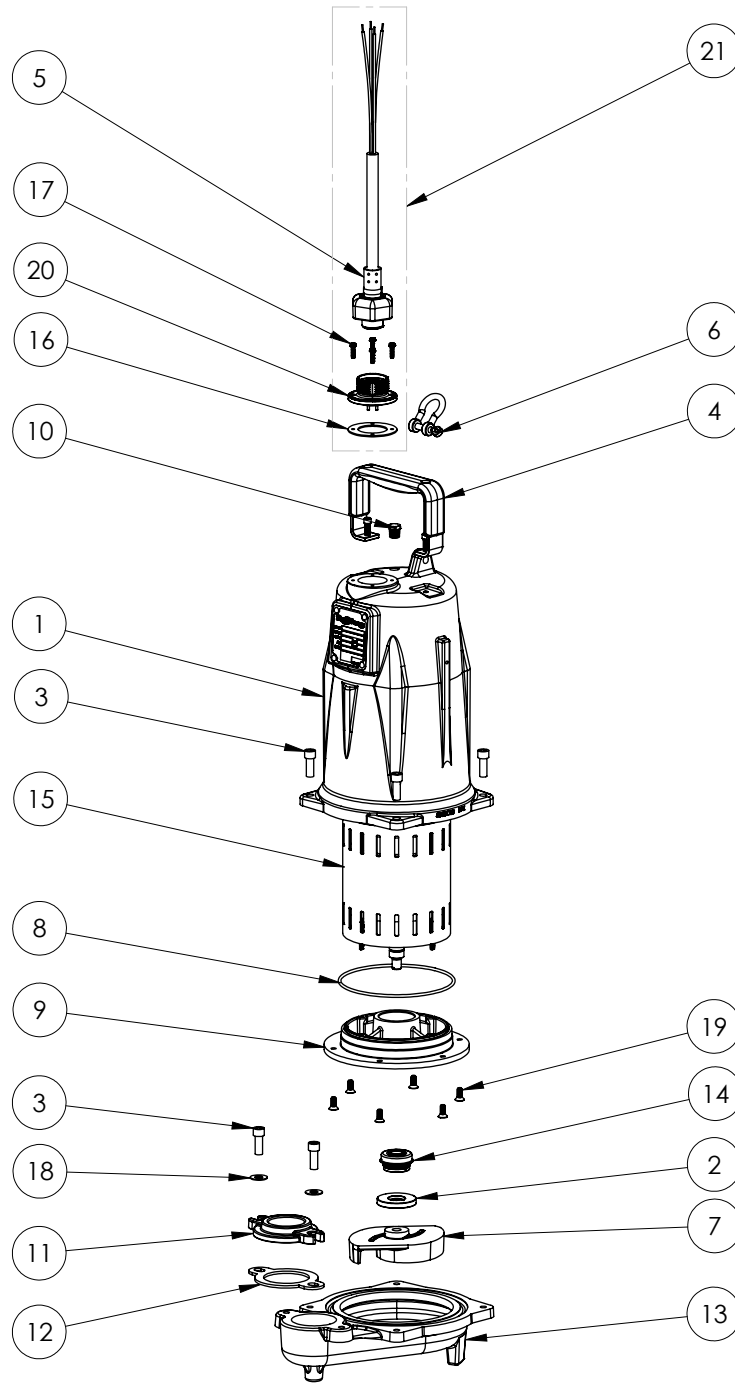


FL154M (B47)



**FL154M****FL154M (B47)**

| #  | PART #  | DESCRIPTION  | QTY | Note |
|----|---------|--|-----|------|
| 1  | 585000R | MOTOR COVER PAINTED                                  | 1   |      |
| 2  | 5618000 | DOUBLE LIP SEAL                                      | 1   | [1]  |
| 3  | 5862000 | BOLT, 3/8-16X1 SHCS SS                               | 6   |      |
| 4  | 5613000 | HANDLE   | 1   |      |
| 5  | K001357 | POWER CORD, 25FT                                     | 1   |      |
| 6  | 5611000 | SHACKLE  | 1   |      |
| 7  | 58522A0 | IMPELLER   | 1   |      |
| 8  | 5617000 | O-RING   | 1   |      |
| 9  | 5851000 | MOTOR PLATE  | 1   |      |
| 10 | 50710A0 | PIPE PLUG, 1/4" HEX HD BRASS NPTF                    | 1   |      |
| 11 | K001421 | 1.5" DISCHARGE ADAPTER, INCLUDES HARDWARE AND GASKET | 1   |      |
| 12 | 5858000 | 1.5" FLANGE GASKET                                   | 1   |      |
| 13 | 585400R | VOLUTE   | 1   |      |
| 14 | 5633000 | 3/4" UNITIZED SHAFT SEAL                             | 1   | [1]  |
| 15 | 5859000 | MOTOR, 3PHASE  | 1   | [1]  |
| 16 | 5060000 | CORD PLATE GASKET                                    | 1   |      |
| 17 | 8064000 | #8-32 x 5/8 HEX WASHER HEAD SCREW                    | 4   |      |
| 18 | 8158000 | WASHER, 3/8 x 1-1/8, SS                              | 2   |      |
| 19 | 8018000 | 1/4-20 x 5/8 SLOTTED FLAT HEAD BOLT                  | 6   |      |
| 20 | 5629000 | GRINDER CORDPLATE                                    | 1   |      |
| 21 | K001150 | POWER CORD KIT                                       | 1   |      |

**PART NOTES:**

[1] - Part requires factory authorized service. Contact Liberty Pumps at 1-800-543-2550