



Submittal Data Information FE Series Pumps

301-842

EFFECTIVE: MAY 1, 1993

SUPERSEDES: NEW

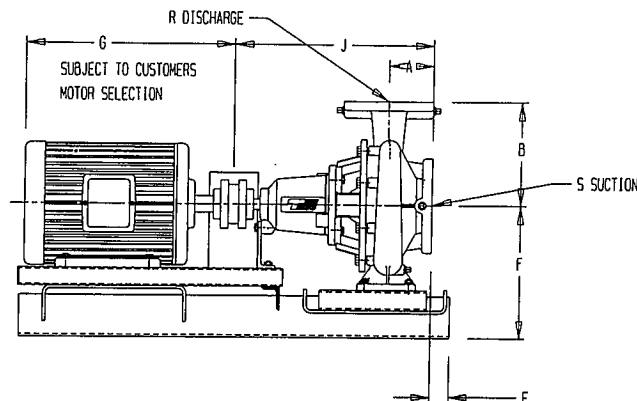
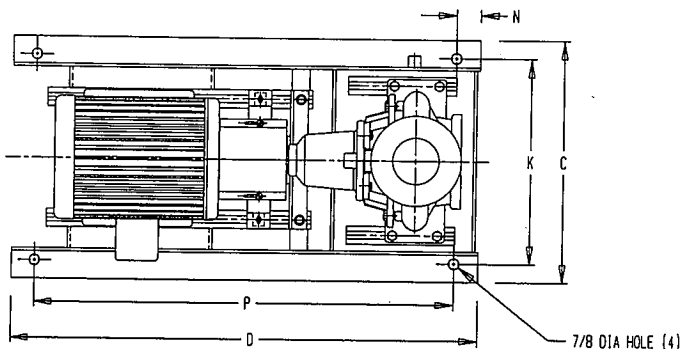
3500 RPM MODEL 1206

JOB _____

ENGINEER _____

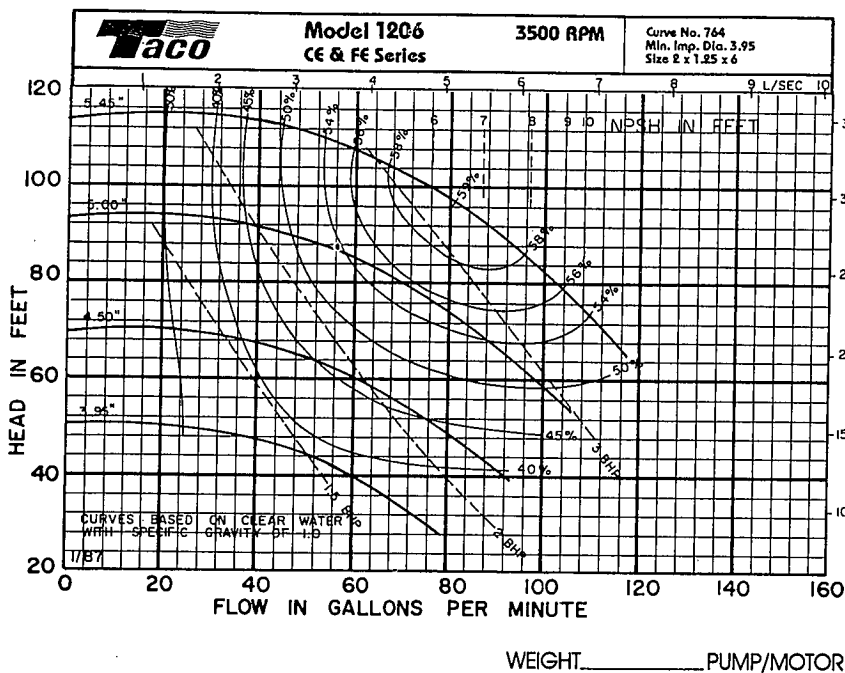
CONTRACTOR _____ REP. _____

ITEM NO.	MODEL NO.	IMPELLER DIA.	G.P.M.	HEAD/FT.	H.P.	ELEC. CHARS.
----------	-----------	---------------	--------	----------	------	--------------



50 Cycle Performance Curves attached when applicable.

Model No.	HP 1160 RPM	HP 1760 RPM	HP 3500 RPM	Motor Frame	A	B	C	D	E	F	J	K	N	P	R	S
1206		1/2, 3/4, 1	1-1/2, 2, 3, 5, 7-1/2	56, 143T, 145T, 182T, 184T	2-15/16	5-11/32	16	32, 32	1-1/2	7-29/32	15-21/32	14	2	28, 28	1-1/4	2



Item	BRONZE FITTED		ALL IRON	
	Std. Pump Constr.	Optional	Standard	Optional
Casing	Cast Iron ASTM A48 Cl. 35		Cast Iron ASTM A48 Cl. 35	
Impeller	Bronze ASTM B30-4A		Cast Iron ASTM A48 Cl. 35	
Wear Ring	Bronze ASTM B30-4A		Bronze ASTM B30-4A	
Shaft	Carbon Steel AISI 1045	St. Steel AISI 416	Carbon Steel AISI 1045	St. Steel AISI 416
Shaft Sleeve	Bronze SAE 660	St. Steel AISI 416	St. Steel AISI 416	
Mech. Seal	Ceramic	Tungsten Carbide	Ceramic	Tungsten Carbide
Seal Flush Line		Copper		Copper

OPERATING SPECIFICATIONS		
	Standard	Optional
Pressure	175 PSIG*	
Temperature: Mechanical Seal	250F	300F
Motors: All NEMA Standard (T or TS)		
* In accordance with ANSI Standard B16.1 Class 125		
ADDITIONAL OPTIONS		
Filters	Cuno 5 Micron	
Separators	Kynar Cyclone Separator	
Couplings	Spacer Type	

COMMENTS: _____



Submittal Data Information

FE Series Pumps

301-843

EFFECTIVE: MAY 1, 1993

SUPERSEDES: NEW

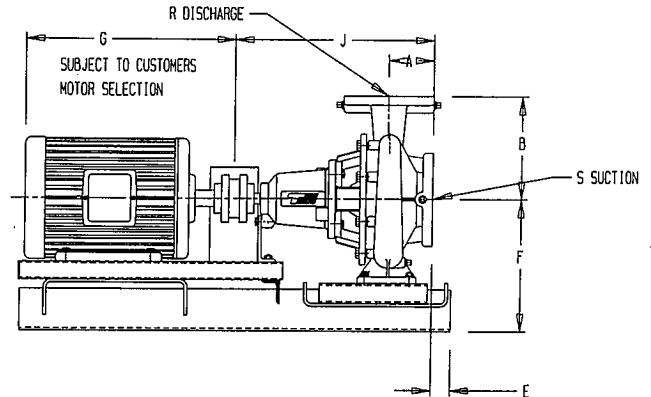
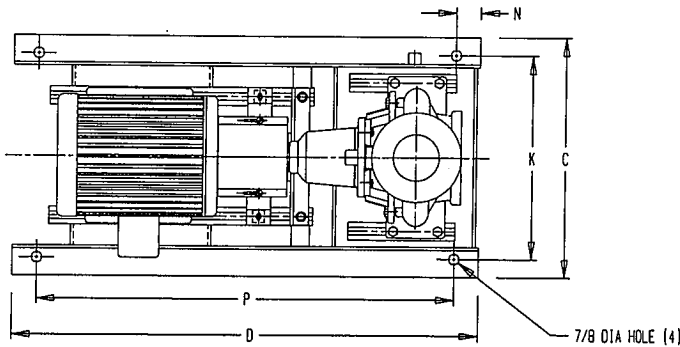
3500 RPM MODEL 1207

JOB _____

ENGINEER _____

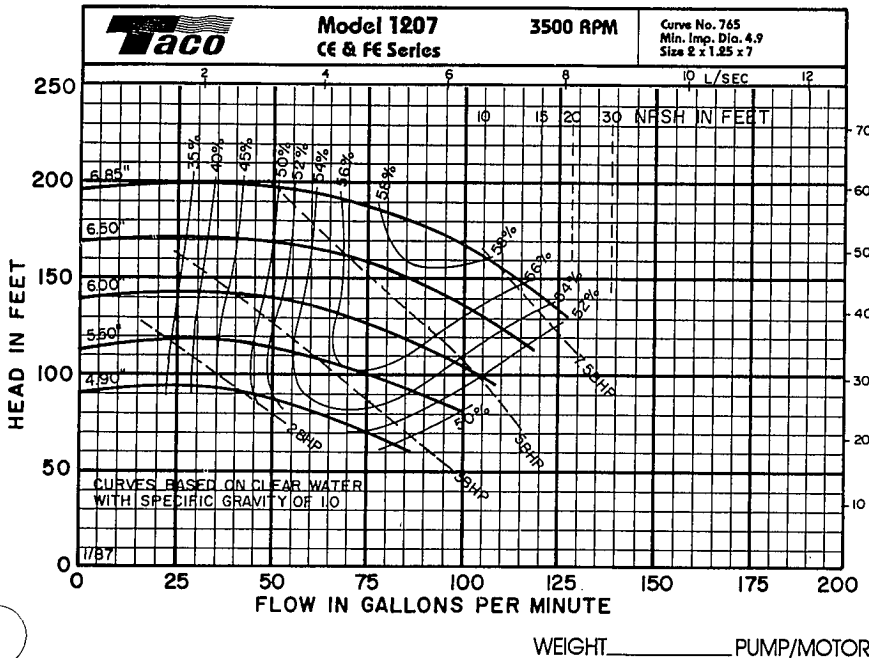
CONTRACTOR _____ REP. _____

ITEM NO.	MODEL NO.	IMPELLER DIA.	G.P.M.	HEAD/FT.	H.P.	ELEC. CHARS.
----------	-----------	---------------	--------	----------	------	--------------



50 Cycle Performance Curves attached when applicable.

Model No.	HP 1160 RPM	HP 1760 RPM	HP 3500 RPM	Motor Frame	A	B	C	D	E	F	J	K	N	P	R	S
1207		1/2, 3/4 1 1-1/2	2,3 5 7-1/2 10 15	56	2-15/16	6-1/8	16	32	1-1/2	8-23/32	15-21/32	14	2	28	1-1/4	2
				143T												
				145T												
				182T												
				184T												
213T																
				215T				36					32			



Item	BRONZE FITTED		ALL IRON	
	Std. Pump Constr.	Optional	Standard	Optional
Casing	Cast Iron ASTM A48 Cl. 35		Cast Iron ASTM A48 Cl. 35	
Impeller	Bronze ASTM B30-4A		Cast Iron ASTM A48 Cl. 35	
Wear Ring	Bronze ASTM B30-4A		Bronze ASTM B30-4A	
Shaft	Carbon Steel AISI 1045	St. Steel AISI 416	Carbon Steel AISI 1045	St. Steel AISI 416
Shaft Sleeve	Bronze SAE 660	St. Steel AISI 416	St. Steel AISI 416	
Mech. Seal	Ceramic	Tungsten Carbide	Ceramic	Tungsten Carbide
Seal Flush Line		Copper		Copper

OPERATING SPECIFICATIONS		
	Standard	Optional
Pressure	175 PSIG*	
Temperature: Mechanical Seal	250F	300F

Motors: All NEMA Standard (T or TS)
 * In accordance with ANSI Standard B16.1 Class 125

ADDITIONAL OPTIONS	
Filters	Cuno 5 Micron
Separators	Kynar Cyclone Separator
Couplings	Spacer Type

COMMENTS: _____

TACO, INC., 1160 Cranston Street, Cranston, RI 02920 (401) 942-8000 FAX: (401) 942-2360.

TACO (Canada), Ltd., 1310 Almco Blvd., Mississauga, Ontario L4W1B2. Telephone: 416/625-2160. FAX: 416/625-8616.

Printed in USA
 Copyright 1993
 TACO, INC.



Submittal Data Information FE Series Pumps

301-844

EFFECTIVE: MAY 1, 1993

SUPERSEDES: NEW

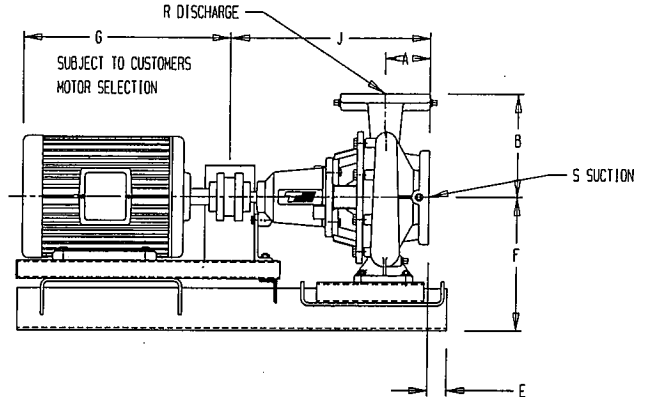
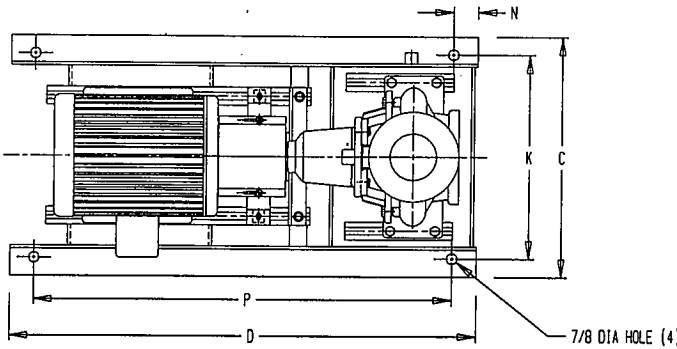
3500 RPM MODEL 1208

JOB _____

ENGINEER _____

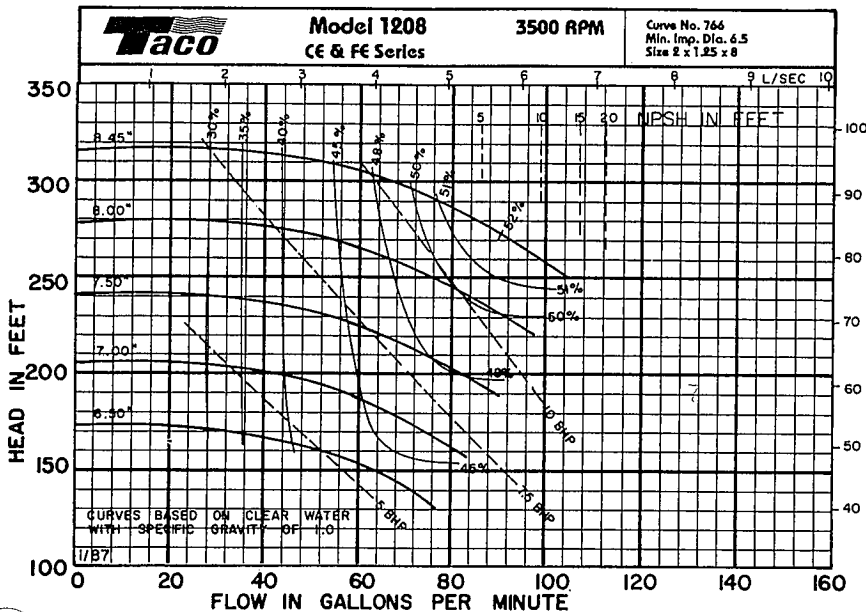
CONTRACTOR _____ REP. _____

ITEM NO.	MODEL NO.	IMPELLER DIA.	G.P.M.	HEAD/FT.	H.P.	ELEC. CHARS.
----------	-----------	---------------	--------	----------	------	--------------



50 Cycle Performance Curves attached when applicable.

Model No.	HP 1160 RPM	HP 1760 RPM	HP 3500 RPM	Motor Frame	A	B	C	D	E	F	J	K	N	P	R	S
1208		1/2, 3/4 1 1-1/2, 2	5 7-1/2 10 15	56 143T 145T 182T 184T 213T 215T	2-15/16	6-15/16	16	32 36	1-1/2	9-13/16	15-21/32	14	2	28 32	1-1/4	2



Item	BRONZE FITTED		ALL IRON	
	Std. Pump Constr.	Optional	Standard	Optional
Casing	Cast Iron ASTM A48 Cl. 35		Cast Iron ASTM A48 Cl. 35	
Impeller	Bronze ASTM B30-4A		Cast Iron ASTM A48 Cl. 35	
Wear Ring	Bronze ASTM B30-4A		Bronze ASTM B30-4A	
Shaft	Carbon Steel AISI 1045	St. Steel AISI 416	Carbon Steel AISI 1045	St. Steel AISI 416
Shaft Sleeve	Bronze SAE 660	St. Steel AISI 416	St. Steel AISI 416	
Mech. Seal	Ceramic	Tungsten Carbide	Ceramic	Tungsten Carbide
Seal Flush Line		Copper		Copper

OPERATING SPECIFICATIONS		
	Standard	Optional
Pressure	175 PSIG*	
Temperature: Mechanical Seal	250F	300F

Motors: All NEMA Standard (T or TS)
* In accordance with ANSI Standard B16.1 Class 125

ADDITIONAL OPTIONS	
Filters	Cuno 5 Micron
Separators	Kynar Cyclone Separator
Couplings	Spacer Type

WEIGHT _____ PUMP/MOTOR

COMMENTS:

TACO, INC., 1160 Cranston Street, Cranston, RI 02920 (401) 942-8000 FAX: (401) 942-2360.

TACO (Canada), Ltd., 1310 Almco Blvd., Mississauga, Ontario L4W1B2. Telephone: 416/625-2160. FAX: 416/625-8616.

Printed in USA
Copyright 1993
TACO, INC.



Submittal Data Information

FE Series Pumps

301-845

EFFECTIVE: MAY 1, 1993

SUPERSEDES: NEW

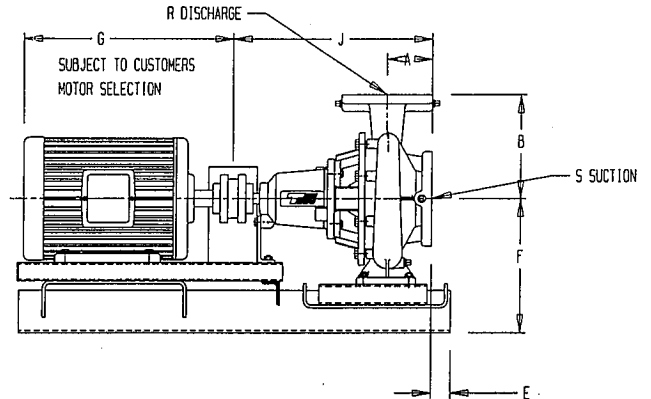
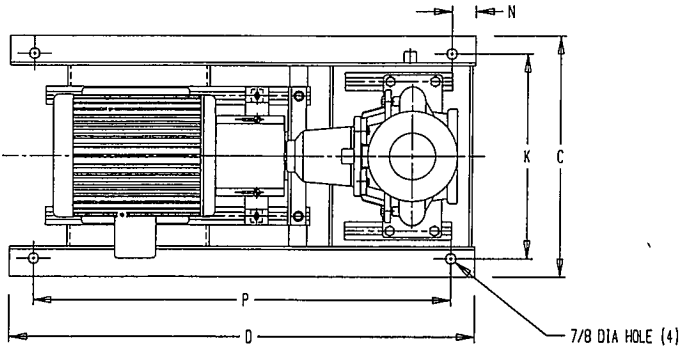
3500 RPM MODEL 1506

JOB _____

ENGINEER _____

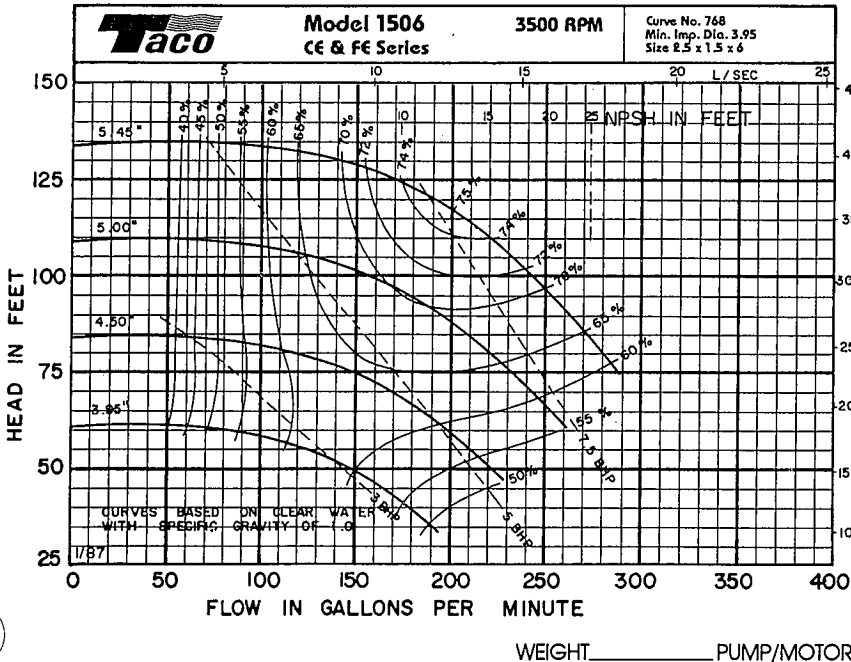
CONTRACTOR _____ REP. _____

ITEM NO.	MODEL NO.	IMPELLER DIA.	G.P.M.	HEAD/FT.	H.P.	ELEC. CHARS.
----------	-----------	---------------	--------	----------	------	--------------



50 Cycle Performance Curves attached when applicable.

Model No.	HP 1160 RPM	HP 1760 RPM	HP 3500 RPM	Motor Frame	A	B	C	D	E	F	J	K	N	P	R	S
1506		1/2, 3/4 1 1-1/2	3 5 7-1/2 10 15	56	2-15/16	5-5/16	16	32	1-1/2	7-29/32	15-21/32	14	2	28	1-1/2	2-1/2
				143T												
				145T												
				182T												
				184T												
213T																
				215T				36					32			



Item	BRONZE FITTED		ALL IRON	
	Std. Pump Constr.	Optional	Standard	Optional
Casing	Cast Iron ASTM A48 Cl. 35		Cast Iron ASTM A48 Cl. 35	
Impeller	Bronze ASTM B30-4A		Cast Iron ASTM A48 Cl. 35	
Wear Ring	Bronze ASTM B30-4A		Bronze ASTM B30-4A	
Shaft	Carbon Steel AISI 1045	St. Steel AISI 416	Carbon Steel AISI 1045	St. Steel AISI 416
Shaft Sleeve	Bronze SAE 660	St. Steel AISI 416	St. Steel AISI 416	
Mech. Seal	Ceramic	Tungsten Carbide	Ceramic	Tungsten Carbide
Seal Flush Line		Copper		Copper

OPERATING SPECIFICATIONS		
	Standard	Optional
Pressure	175 PSIG*	
Temperature: Mechanical Seal	250F	300F
Motors: All NEMA Standard (T or TS) * In accordance with ANSI Standard B16.1 Class 125		
ADDITIONAL OPTIONS		
Filters	Cuno 5 Micron	
Separators	Kynar Cyclone Separator	
Couplings	Spacer Type	

COMMENTS: _____



Submittal Data Information

FE Series Pumps

301-846

EFFECTIVE: MAY 1, 1993

SUPERSEDES: NEW

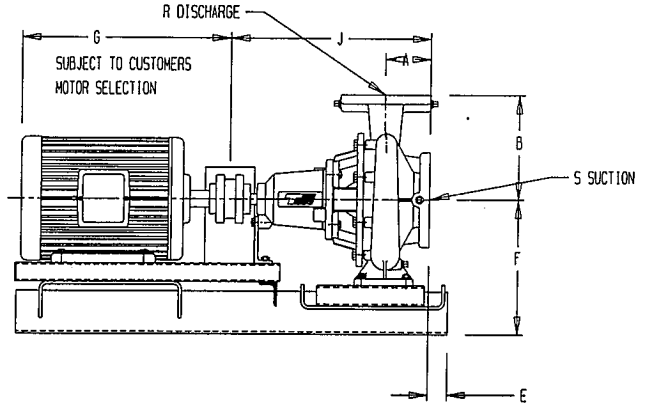
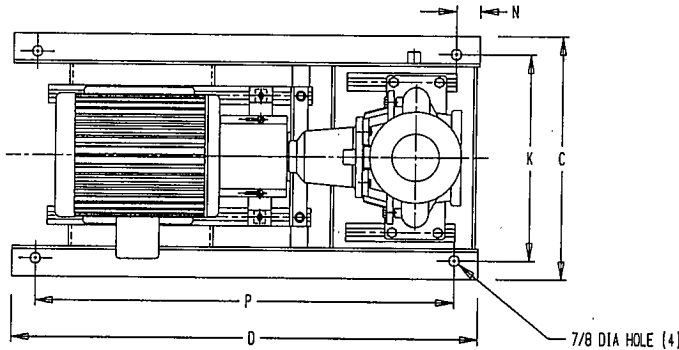
3500 RPM MODEL 1507

JOB _____

ENGINEER _____

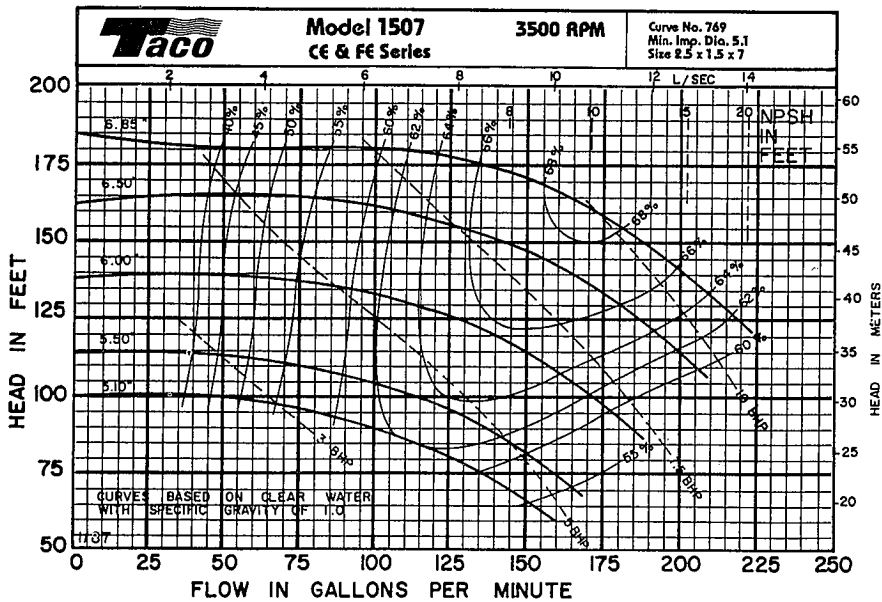
CONTRACTOR _____ REP. _____

ITEM NO.	MODEL NO.	IMPELLER DIA.	G.P.M.	HEAD/FT.	H.P.	ELEC. CHARS.
----------	-----------	---------------	--------	----------	------	--------------



50 Cycle Performance Curves attached when applicable.

Model No.	HP 1160 RPM	HP 1760 RPM	HP 3500 RPM	Motor Frame	A	B	C	D	E	F	J	K	N	P	R	S
1507		1/2, 3/4 1 1-1/2	3 5 7-1/2 10 15	56 143T 145T 182T 184T 213T 215T	2-15/16	6-1/8	16	32 36	1-1/2	8-23/32	15-21/32	14	2	28 32	1-1/2	2-1/2



Item	BRONZE FITTED		ALL IRON	
	Std. Pump Constr.	Optional	Standard	Optional
Casing	Cast Iron ASTM A48 Cl. 35		Cast Iron ASTM A48 Cl. 35	
Impeller	Bronze ASTM B30-4A		Cast Iron ASTM A48 Cl. 35	
Wear Ring	Bronze ASTM B30-4A		Bronze ASTM B30-4A	
Shaft	Carbon Steel AISI 1045	St. Steel AISI 416	Carbon Steel AISI 1045	St. Steel AISI 416
Shaft Sleeve	Bronze SAE 660	St. Steel AISI 416	St. Steel AISI 416	
Mech. Seal	Ceramic	Tungsten Carbide	Ceramic	Tungsten Carbide
Seal Flush Line		Copper		Copper

OPERATING SPECIFICATIONS		
	Standard	Optional
Pressure	175 PSIG*	
Temperature: Mechanical Seal	250F	300F

Motors: All NEMA Standard (T or TS)
* In accordance with ANSI Standard B16.1 Class 125

ADDITIONAL OPTIONS	
Filters	Cuno 5 Micron
Separators	Kynar Cyclone Separator
Couplings	Spacer Type

WEIGHT _____ PUMP/MOTOR

COMMENTS:

TACO, INC., 1160 Cranston Street, Cranston, RI 02920 (401) 942-8000 FAX: (401) 942-2360.

TACO (Canada), Ltd., 1310 Almco Blvd., Mississauga, Ontario L4W1B2. Telephone: 416/625-2160. FAX: 416/625-8616.

Printed in USA
Copyright 1993
TACO, INC.



Submittal Data Information

FE Series Pumps

301-847

EFFECTIVE: MAY 1, 1993

SUPERSEDES: NEW

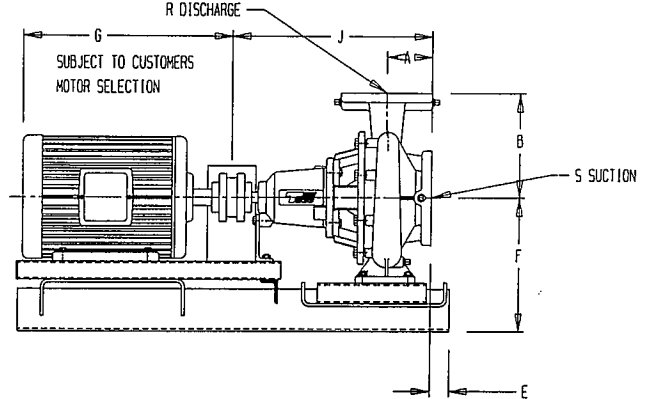
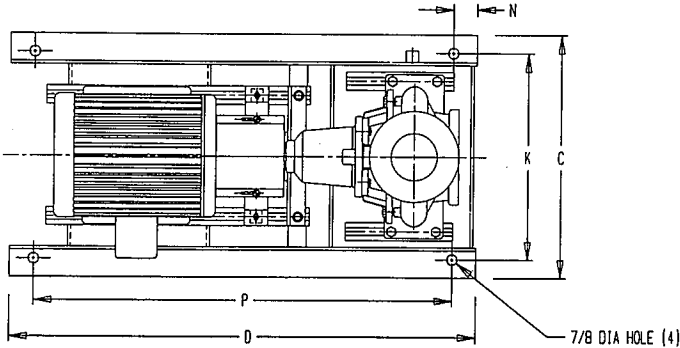
3500 RPM MODEL 1508

JOB _____

ENGINEER _____

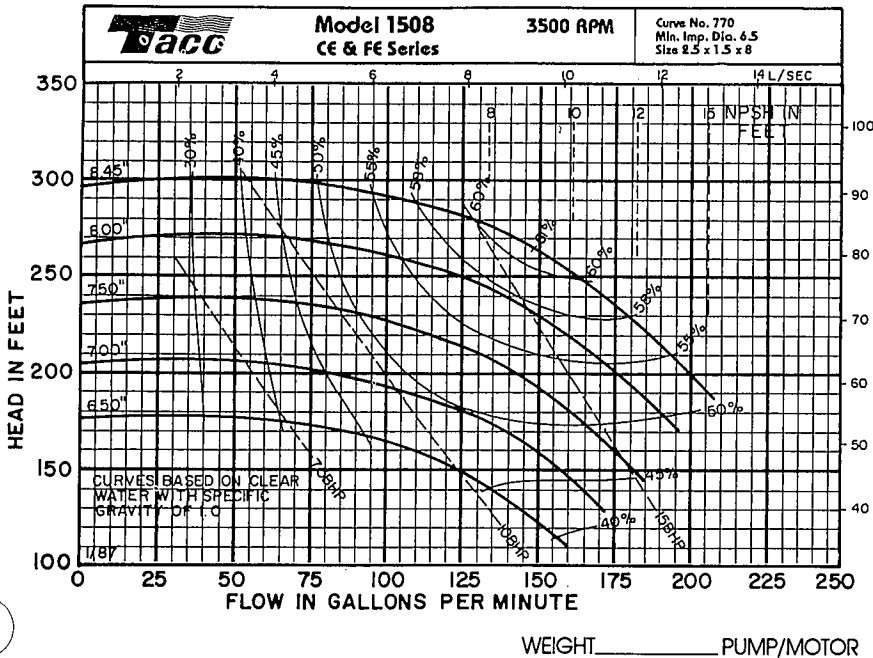
CONTRACTOR _____ REP. _____

ITEM NO.	MODEL NO.	IMPELLER DIA.	G.P.M.	HEAD/FT.	H.P.	ELEC. CHARS.
----------	-----------	---------------	--------	----------	------	--------------



50 Cycle Performance Curves attached when applicable.

Model No.	HP 1160 RPM	HP 1760 RPM	HP 3500 RPM	Motor Frame	A	B	C	D	E	F	J	K	N	P	R	S
1508		1 1-1/2, 2 3 5	7-1/2	143T 145T 182T 184T 213T 215T 254T 256T	3-3/4	6-29/32	18	36 42	1-1/2	9-13/16	16-7/16	16	2	32 38	1-1/2	2-1/2



Item	BRONZE FITTED		ALL IRON	
	Std. Pump Constr.	Optional	Standard	Optional
Casing	Cast Iron ASTM A48 Cl. 35		Cast Iron ASTM A48 Cl. 35	
Impeller	Bronze ASTM B30-4A		Cast Iron ASTM A48 Cl. 35	
Wear Ring	Bronze ASTM B30-4A		Bronze ASTM B30-4A	
Shaft	Carbon Steel AISI 1045	St. Steel AISI 416	Carbon Steel AISI 1045	St. Steel AISI 416
Shaft Sleeve	Bronze SAE 660	St. Steel AISI 416	St. Steel AISI 416	
Mech. Seal	Ceramic	Tungsten Carbide	Ceramic	Tungsten Carbide
Seal Flush Line		Copper		Copper

OPERATING SPECIFICATIONS		
	Standard	Optional
Pressure	175 PSIG*	
Temperature: Mechanical Seal	250F	300F

* Motors: All NEMA Standard (T or TS)
* In accordance with ANSI Standard B16.1 Class 125

ADDITIONAL OPTIONS	
Filters	Cuno 5 Micron
Separators	Kynar Cyclone Separator
Couplings	Spacer Type

COMMENTS: _____

TACO, INC., 1160 Cranston Street, Cranston, RI 02920 (401) 942-8000 FAX: (401) 942-2360.

TACO (Canada), Ltd., 1310 Almco Blvd., Mississauga, Ontario L4W1B2. Telephone: 416/625-2160. FAX: 416/625-8616.

Printed in USA
Copyright 1993
TACO, INC.



Submittal Data Information FE Series Pumps

301-848

EFFECTIVE: MAY 1, 1993

SUPERSEDES: NEW

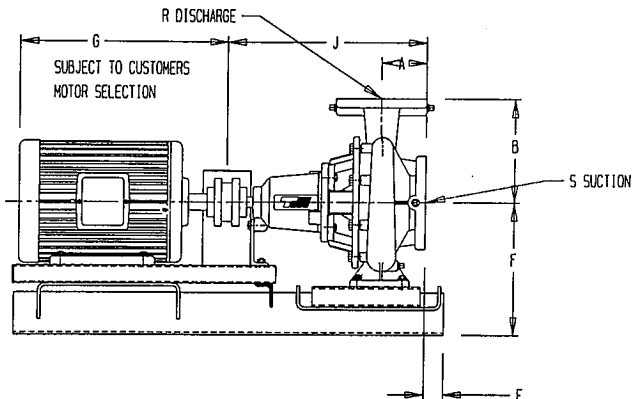
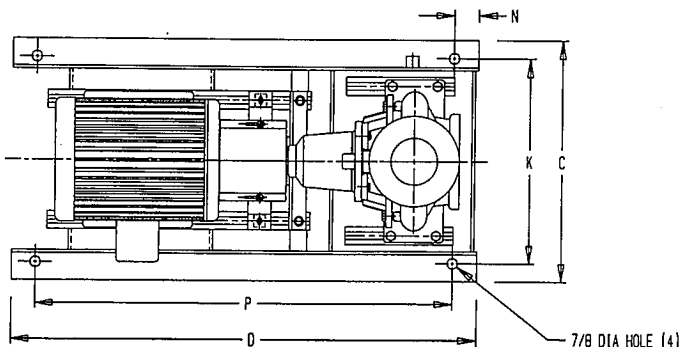
3500 RPM MODEL 2006

JOB _____

ENGINEER _____

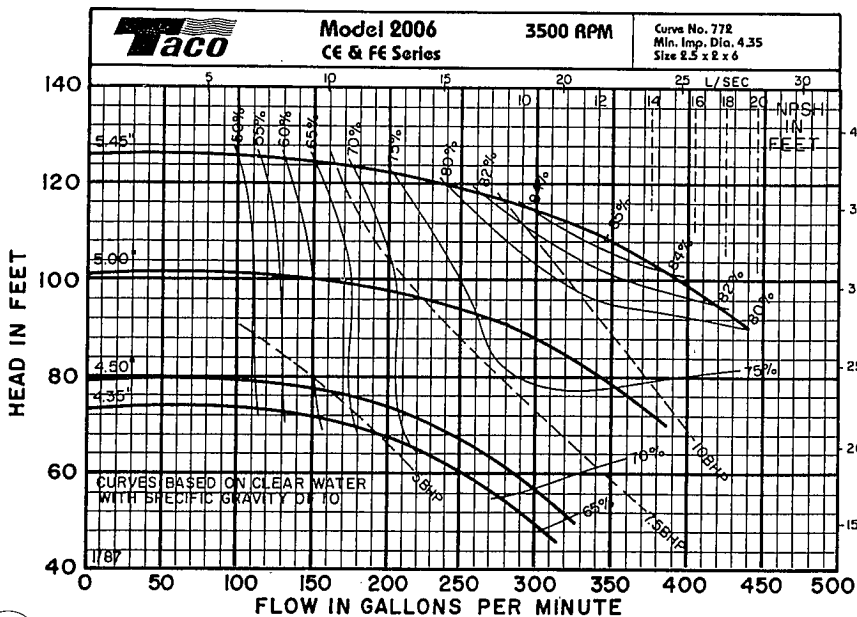
CONTRACTOR _____ REP. _____

ITEM NO.	MODEL NO.	IMPELLER DIA.	G.P.M.	HEAD/FT.	H.P.	ELEC. CHARS.
----------	-----------	---------------	--------	----------	------	--------------



50 Cycle Performance Curves attached when applicable.

Model No.	HP 1160 RPM	HP 1760 RPM	HP 3500 RPM	Motor Frame	A	B	C	D	E	F	J	K	N	P	R	S
2006		3/4 1 1-1/2,2	5 7-1/2 10 15	56	3-3/4	6-1/8	16	32	1-1/2	8-23/32	16-7/16	14	2	28	2	2-1/2
				143T				36								
				145T												
				182T												
				184T												
213T	32															
215T																



Item	BRONZE FITTED		ALL IRON	
	Std. Pump Constr.	Optional	Standard	Optional
Casing	Cast Iron ASTM A48 Cl. 35		Cast Iron ASTM A48 Cl. 35	
Impeller	Bronze ASTM B30-4A		Cast Iron ASTM A48 Cl. 35	
Wear Ring	Bronze ASTM B30-4A		Bronze ASTM B30-4A	
Shaft	Carbon Steel AISI 1045	St. Steel AISI 416	Carbon Steel AISI 1045	St. Steel AISI 416
Shaft Sleeve	Bronze SAE 660	St. Steel AISI 416	St. Steel AISI 416	
Mech. Seal	Ceramic	Tungsten Carbide	Ceramic	Tungsten Carbide
Seal Flush Line		Copper		Copper

OPERATING SPECIFICATIONS		
	Standard	Optional
Pressure	175 PSIG*	
Temperature: Mechanical Seal	250F	300F

Motors: All NEMA Standard (T or TS)
* In accordance with ANSI Standard B16.1 Class 125

ADDITIONAL OPTIONS	
Filters	Cuno 5 Micron
Separators	Kynar Cyclone Separator
Couplings	Spacer Type

COMMENTS: _____

TACO, INC., 1160 Cranston Street, Cranston, RI 02920 (401) 942-8000 FAX: (401) 942-2360.

TACO (Canada), Ltd., 1310 Almco Blvd., Mississauga, Ontario L4W1B2. Telephone: 416/625-2160. FAX: 416/625-8616.

Printed In USA
Copyright 1993
TACO, INC.



Submittal Data Information FE Series Pumps

301-849

EFFECTIVE: MAY 1, 1993

SUPERSEDES: NEW

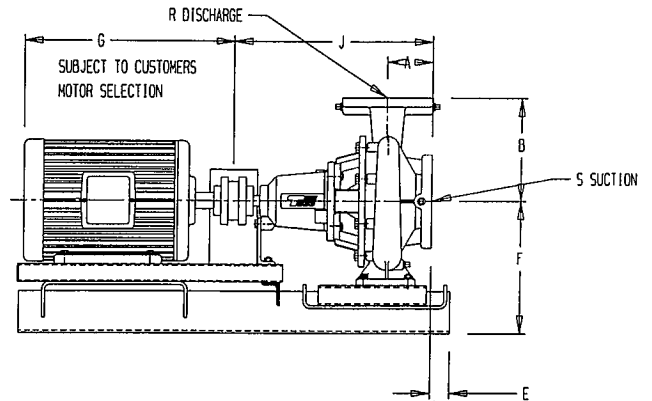
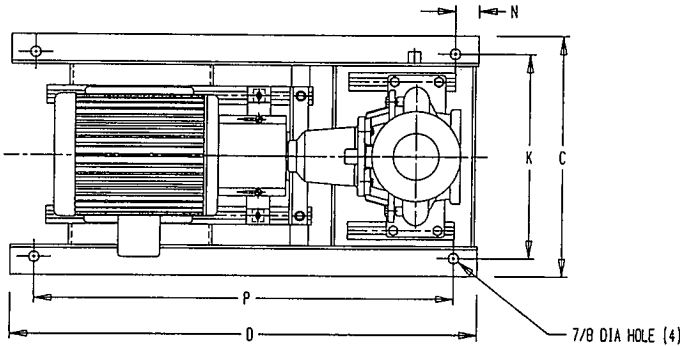
3500 RPM MODEL 2007

JOB _____

ENGINEER _____

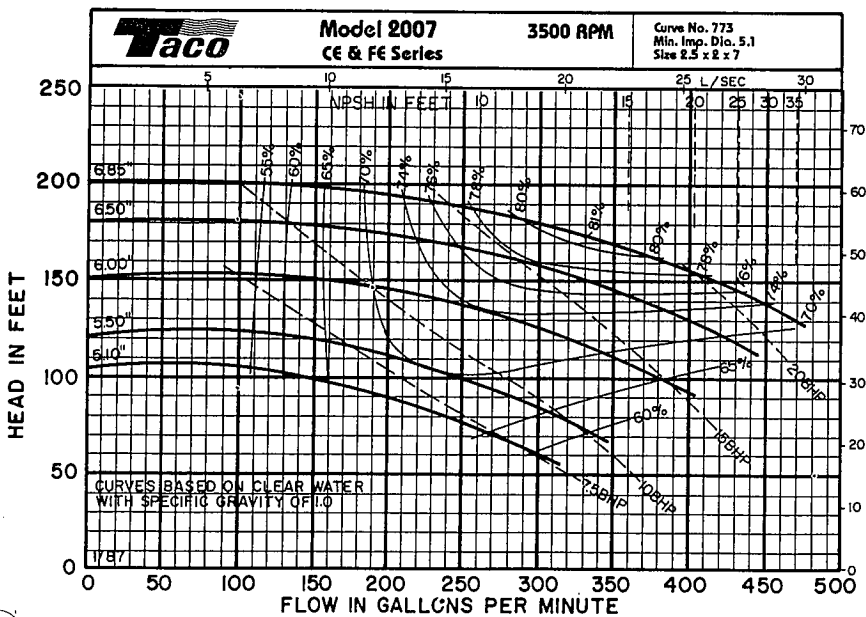
CONTRACTOR _____ REP. _____

ITEM NO.	MODEL NO.	IMPELLER DIA.	G.P.M.	HEAD/FT.	H.P.	ELEC. CHARS.
----------	-----------	---------------	--------	----------	------	--------------



50 Cycle Performance Curves attached when applicable.

Model No.	HP 1160 RPM	HP 1760 RPM	HP 3500 RPM	Motor Frame	A	B	C	D	E	F	J	K	N	P	R	S
2007		1 1-1/2, 2 3	7-1/2	143T 145T 182T 184T	3-3/4	6-29/32	18	36	1-1/2	9-13/16	16-7/16	16	2	32	2	2-1/2
			10 15 20 25	213T 215T 254T 256T				42						38		



Item	BRONZE FITTED		ALL IRON	
	Std. Pump Constr.	Optional	Standard	Optional
Casing	Cast Iron ASTM A48 Cl. 35		Cast Iron ASTM A48 Cl. 35	
Impeller	Bronze ASTM B30-4A		Cast Iron ASTM A48 Cl. 35	
Wear Ring	Bronze ASTM B30-4A		Bronze ASTM B30-4A	
Shaft	Carbon Steel AISI 1045	St. Steel AISI 416	Carbon Steel AISI 1045	St. Steel AISI 416
Shaft Sleeve	Bronze SAE 660	St. Steel AISI 416	St. Steel AISI 416	
Mech. Seal	Ceramic	Tungsten Carbide	Ceramic	Tungsten Carbide
Seal Flush Line		Copper		Copper

OPERATING SPECIFICATIONS		
Pressure	Standard	Optional
Temperature: Mechanical Seal	175 PSIG*	250F / 300F
Motors: All NEMA Standard (T or TS)		
* In accordance with ANSI Standard B16.1 Class 125		
ADDITIONAL OPTIONS		
Filters	Cuno 5 Micron	
Separators	Kynar Cyclone Separator	
Couplings	Spacer Type	

COMMENTS: _____

TACO, INC., 1160 Cranston Street, Cranston, RI 02920 (401) 942-8000 FAX: (401) 942-2360.

TACO (Canada), Ltd., 1310 Almco Blvd., Mississauga, Ontario L4W1B2. Telephone: 416/625-2160. FAX: 416/625-8616.

Printed in USA
Copyright 1993
TACO, INC.



Submittal Data Information

FE Series Pumps

301-850

EFFECTIVE: MAY 1, 1993

SUPERSEDES: NEW

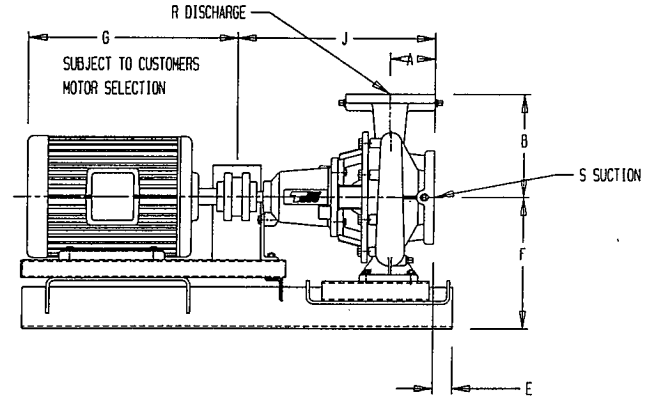
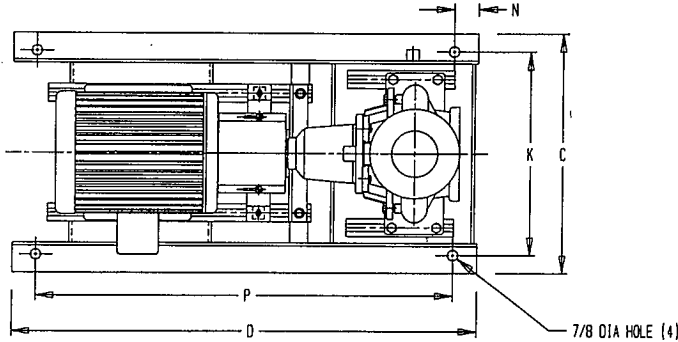
3500 RPM MODEL 2008

JOB _____

ENGINEER _____

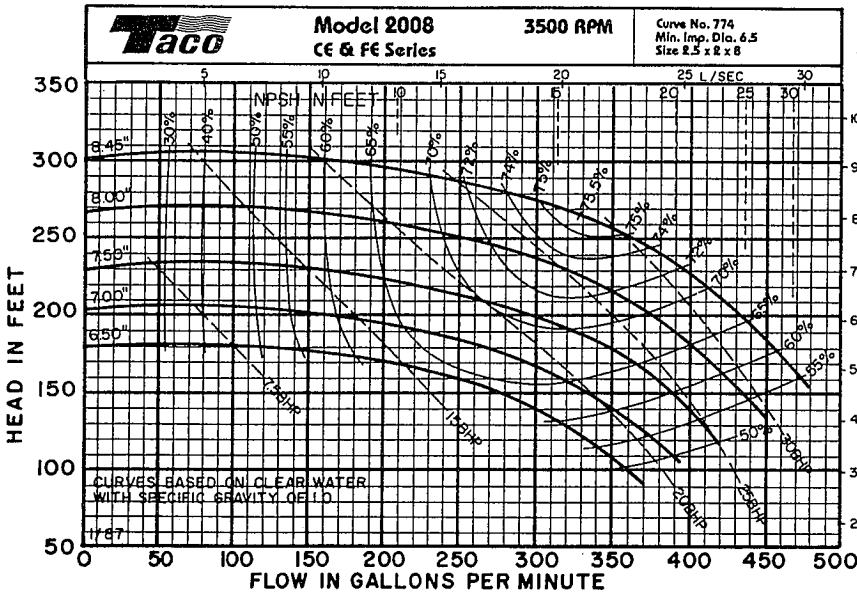
CONTRACTOR _____ REP. _____

ITEM NO.	MODEL NO.	IMPELLER DIA.	G.P.M.	HEAD/FT.	H.P.	ELEC. CHARS.
----------	-----------	---------------	--------	----------	------	--------------



50 Cycle Performance Curves attached when applicable.

Model No.	HP 1160 RPM	HP 1760 RPM	HP 3500 RPM	Motor Frame	A	B	C	D	E	F	J	K	N	P	R	S
2008		1 1-1/2, 2 3 5		143T 145T 182T 184T	3-3/4	7-11/16	18	39	1-1/2	9-13/16	20-11/32	16	2	35	2	2-1/2
			10 15 20 25 30 40	213T 215T 254T 256T 284TS 286TS			20	46				18		42		



Item	BRONZE FITTED		ALL IRON	
	Std. Pump Constr.	Optional	Standard	Optional
Casing	Cast Iron ASTM A48 Cl. 35		Cast Iron ASTM A48 Cl. 35	
Impeller	Bronze ASTM B30-4A		Cast Iron ASTM A48 Cl. 35	
Wear Ring	Bronze ASTM B30-4A		Bronze ASTM B30-4A	
Shaft	Carbon Steel AISI 1045	St. Steel AISI 416	Carbon Steel AISI 1045	St. Steel AISI 416
Shaft Sleeve	Bronze SAE 660	St. Steel AISI 416	St. Steel AISI 416	
Mech. Seal	Ceramic	Tungsten Carbide	Ceramic	Tungsten Carbide
Seal Flush Line		Copper		Copper

OPERATING SPECIFICATIONS		
	Standard	Optional
Pressure	175 PSIG*	
Temperature: Mechanical Seal	250F	300F

Motors: All NEMA Standard (T or TS)
* In accordance with ANSI Standard B16.1 Class 125

ADDITIONAL OPTIONS	
Filters	Cuno 5 Micron
Separators	Kynar Cyclone Separator
Couplings	Spacer Type

WEIGHT _____ PUMP/MOTOR

COMMENTS:

TACO, INC., 1160 Cranston Street, Cranston, RI 02920 (401) 942-8000 FAX: (401) 942-2360.

TACO (Canada), Ltd., 1310 Almco Blvd., Mississauga, Ontario L4W1B2. Telephone: 416/625-2160. FAX: 416/625-8616.

Printed in USA
Copyright 1993
TACO, INC.



Submittal Data Information

FE Series Pumps

301-851

EFFECTIVE: MAY 1, 1993

SUPERSEDES: NEW

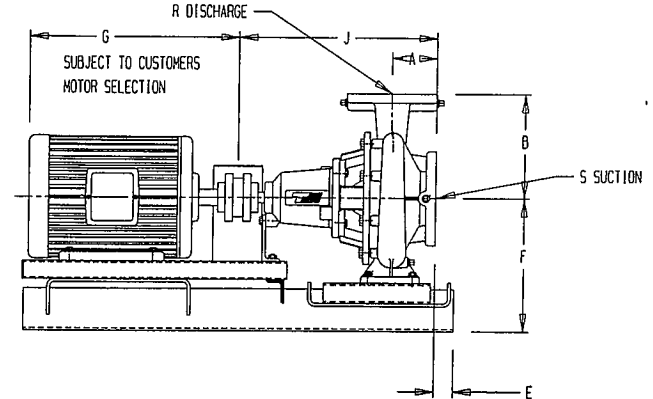
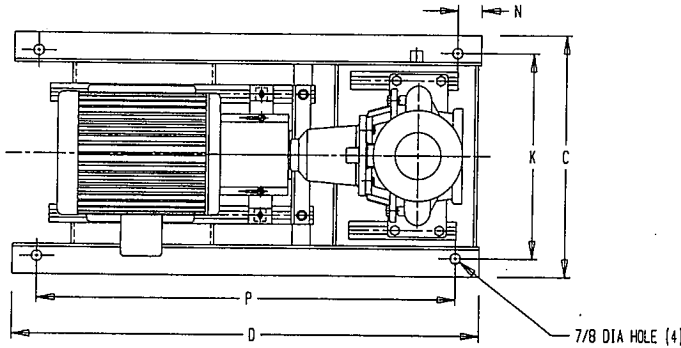
3500 RPM MODEL 2506

JOB _____

ENGINEER _____

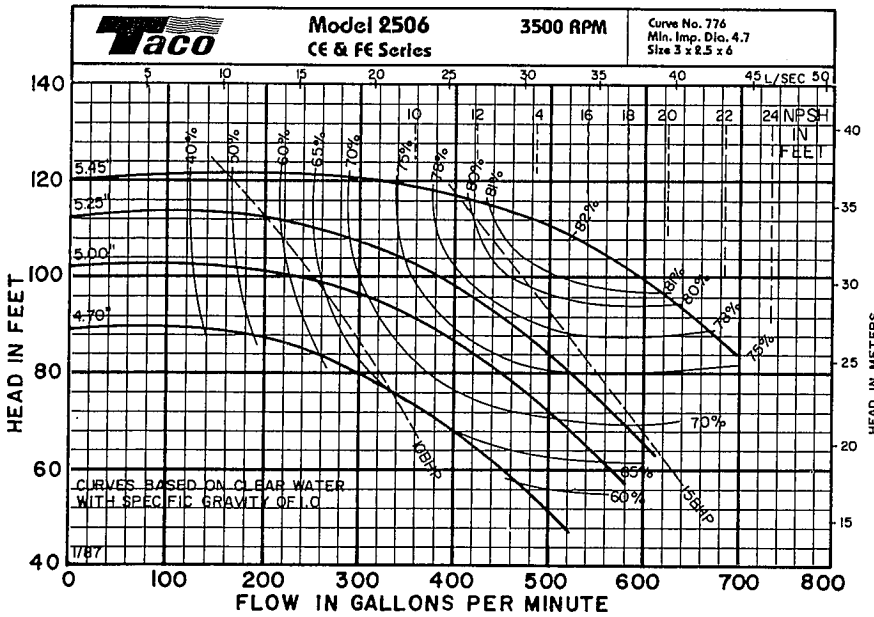
CONTRACTOR _____ REP. _____

ITEM NO.	MODEL NO.	IMPELLER DIA.	G.P.M.	HEAD/FT.	H.P.	ELEC. CHARS.
----------	-----------	---------------	--------	----------	------	--------------



50 Cycle Performance Curves attached when applicable.

Model No.	HP 1160 RPM	HP 1760 RPM	HP 3500 RPM	Motor Frame	A	B	C	D	E	F	J	K	N	P	R	S
2506		1 1-1/2, 2 3 5		143T 145T 182T 184T	3-3/4	6-29/32	18	36	1-1/2	9-13/16	16-7/16	16	2	32	2-1/2	3
			10 15 20 25	213T 215T 254T 256T				42						38		



Item	BRONZE FITTED		ALL IRON	
	Std. Pump Constr.	Optional	Standard	Optional
Casing	Cast Iron ASTM A48 Cl. 35		Cast Iron ASTM A48 Cl. 35	
Impeller	Bronze ASTM B30-4A		Cast Iron ASTM A48 Cl. 35	
Wear Ring	Bronze ASTM B30-4A		Bronze ASTM B30-4A	
Shaft	Carbon Steel AISI 1045	St. Steel AISI 416	Carbon Steel AISI 1045	St. Steel AISI 416
Shaft Sleeve	Bronze SAE 660	St. Steel AISI 416	St. Steel AISI 416	
Mech. Seal	Ceramic	Tungsten Carbide	Ceramic	Tungsten Carbide
Seal Flush Line		Copper		Copper

OPERATING SPECIFICATIONS		
	Standard	Optional
Pressure	175 PSIG*	
Temperature: Mechanical Seal	250F	300F

Motors: All NEMA Standard (T or TS)
* In accordance with ANSI Standard B16.1 Class 125

ADDITIONAL OPTIONS	
Filters	Cuno 5 Micron
Separators	Kynar Cyclone Separator
Couplings	Spacer Type

COMMENTS: _____

TACO, INC., 1160 Cranston Street, Cranston, RI 02920 (401) 942-8000 FAX: (401) 942-2360.

TACO (Canada), Ltd., 1310 Aimco Blvd., Mississauga, Ontario L4W1B2. Telephone: 416/625-2160. FAX: 416/625-8616.

Printed in USA
Copyright 1993
TACO, INC.



Submittal Data Information FE Series Pumps

301-852

EFFECTIVE: MAY 1, 1993

SUPERSEDES: NEW

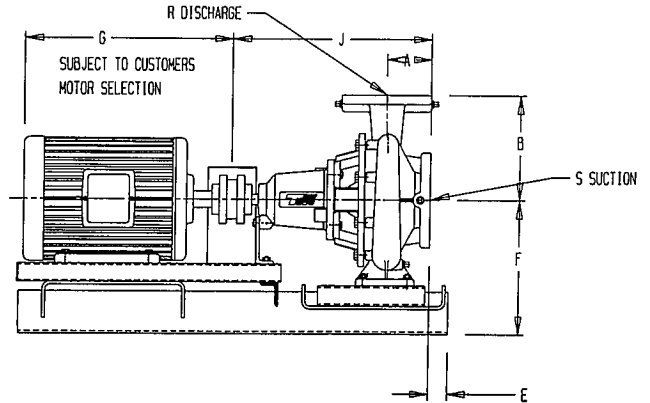
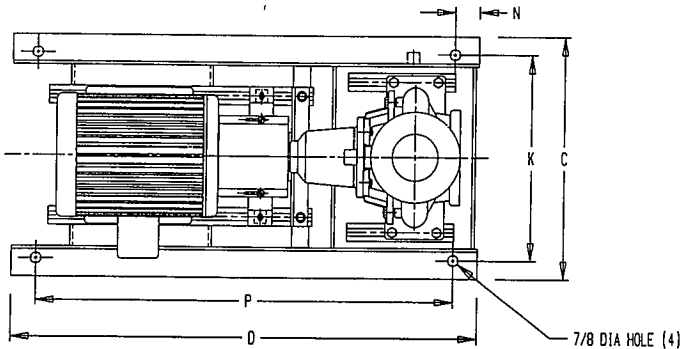
3500 RPM MODEL 2507

JOB _____

ENGINEER _____

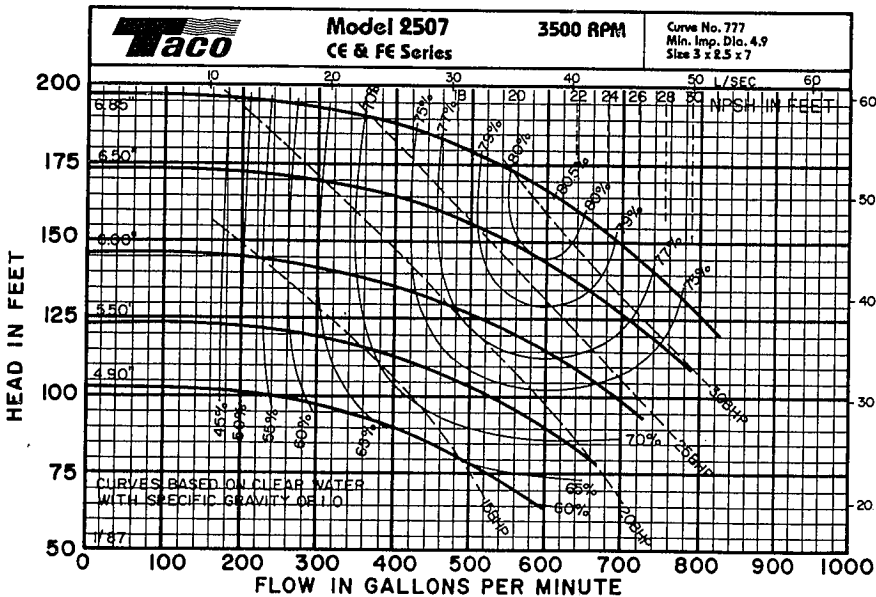
CONTRACTOR _____ REP. _____

ITEM NO.	MODEL NO.	IMPELLER DIA.	G.P.M.	HEAD/FT.	H.P.	ELEC. CHARS.
----------	-----------	---------------	--------	----------	------	--------------



50 Cycle Performance Curves attached when applicable.

Model No.	HP 1160 RPM	HP 1760 RPM	HP 3500 RPM	Motor Frame	A	B	C	D	E	F	J	K	N	P	R	S
2507		1 1-1/2, 2 3 5		143T 145T 182T 184T	3-3/4	7-11/16	18	39	1-1/2	9-13/16	20-11/32	16	2	35	2-1/2	3
			15 20 25 30 40	215T 254T 256T 284TS 286TS			20	46				18		42		



Item	BRONZE FITTED		ALL IRON	
	Std. Pump Constr.	Optional	Standard	Optional
Casing	Cast Iron ASTM A48 Cl. 35		Cast Iron ASTM A48 Cl. 35	
Impeller	Bronze ASTM B30-4A		Cast Iron ASTM A48 Cl. 35	
Wear Ring	Bronze ASTM B30-4A		Bronze ASTM B30-4A	
Shaft	Carbon Steel AISI 1045	St. Steel AISI 416	Carbon Steel AISI 1045	St. Steel AISI 416
Shaft Sleeve	Bronze SAE 660	St. Steel AISI 416	St. Steel AISI 416	
Mech. Seal	Ceramic	Tungsten Carbide	Ceramic	Tungsten Carbide
Seal Flush Line		Copper		Copper

OPERATING SPECIFICATIONS		
	Standard	Optional
Pressure	175 PSIG*	
Temperature: Mechanical Seal	250F	300F

Motors: All NEMA Standard (T or TS)
* In accordance with ANSI Standard B16.1 Class 125

ADDITIONAL OPTIONS	
Filters	Cuno 5 Micron
Separators	Kynar Cyclone Separator
Couplings	Spacer Type

WEIGHT _____ PUMP/MOTOR

COMMENTS: _____

TACO, INC., 1160 Cranston Street, Cranston, RI 02920 (401) 942-8000 FAX: (401) 942-2360.

TACO (Canada), Ltd., 1310 Almco Blvd., Mississauga, Ontario L4W1B2. Telephone: 416/625-2160. FAX: 416/625-8616.

Printed in USA
Copyright 1993
TACO, INC.



Submittal Data Information

FE Series Pumps

301-853

EFFECTIVE: MAY 1, 1993

SUPERSEDES: NEW

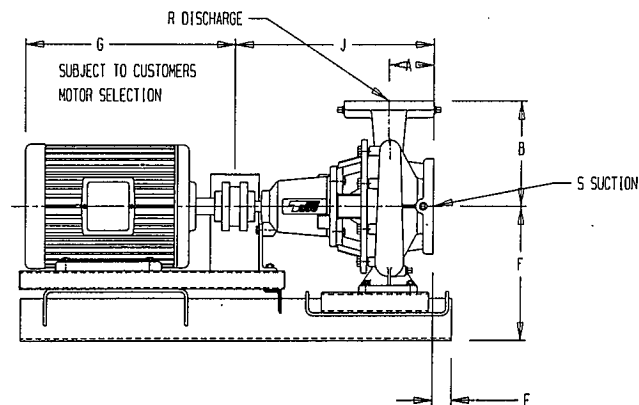
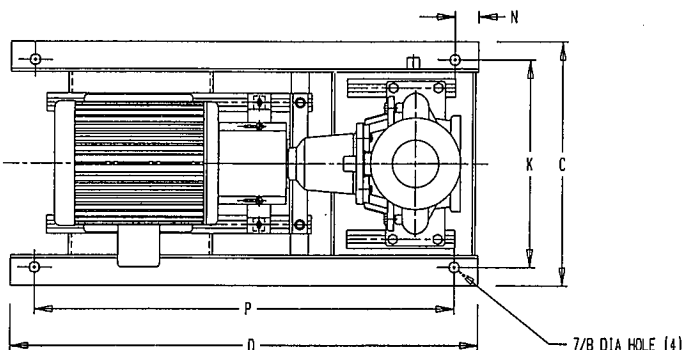
3500 RPM MODEL 2508

JOB _____

ENGINEER _____

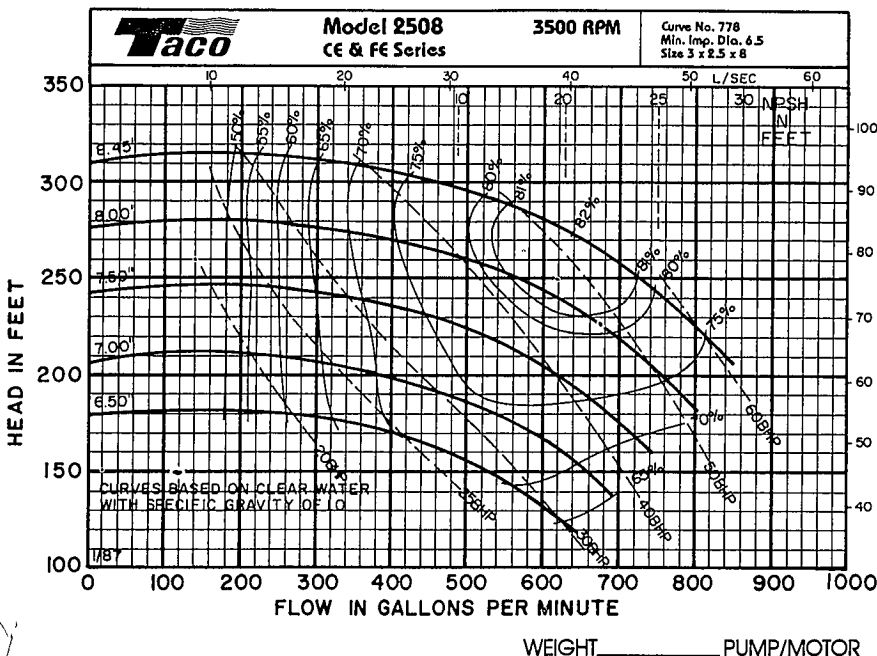
CONTRACTOR _____ REP. _____

ITEM NO.	MODEL NO.	IMPELLER DIA.	G.P.M.	HEAD/FT.	H.P.	ELEC. CHARS.
----------	-----------	---------------	--------	----------	------	--------------



50 Cycle Performance Curves attached when applicable.

Model No.	HP 1163 RPM	HP 1760 RPM	HP 3500 RPM	Motor Frame	A	B	C	D	E	F	J	K	N	P	R	S			
2508		3 5 7-1/2 10		182T	3-3/4	8-21/32	18	42	1-1/2	10-19/32	20-11/32	16	2	38	2-1/2	3			
				215T															
				254T			22	49											
				256T											20		45		
				284TS															
				286TS															
				324TS															
				326TS															



Item	BRONZE FITTED		ALL IRON	
	Std. Pump Constr.	Optional	Standard	Optional
Casing	Cast Iron ASTM A48 Cl. 35		Cast Iron ASTM A48 Cl. 35	
Impeller	Bronze ASTM B30-4A		Cast Iron ASTM A48 Cl. 35	
Wear Ring	Bronze ASTM B30-4A		Bronze ASTM B30-4A	
Shaft	Carbon Steel AISI 1045	St. Steel AISI 416	Carbon Steel AISI 1045	St. Steel AISI 416
Shaft Sleeve	Bronze SAE 660	St. Steel AISI 416	St. Steel AISI 416	
Mech. Seal	Ceramic	Tungsten Carbide	Ceramic	Tungsten Carbide
Seal Flush Line		Copper		Copper

OPERATING SPECIFICATIONS		
	Standard	Optional
Pressure	175 PSIG*	
Temperature: Mechanical Seal	250F	300F

Motors: All NEMA Standard (T or TS)
* In accordance with ANSI Standard B16.1 Class 125

ADDITIONAL OPTIONS	
Filters	Cuno 5 Micron
Separators	Kynar Cyclone Separator
Couplings	Spacer Type

COMMENTS: _____

TACO, INC., 1160 Cranston Street, Cranston, RI 02920 (401) 942-8000 FAX: (401) 942-2360.

TACO (Canada), Ltd., 1310 Almco Blvd., Mississauga, Ontario L4W1B2. Telephone: 416/625-2160. FAX: 416/625-8616.

Printed In USA
Copyright 1993
TACO, INC.



Submittal Data Information FE Series Pumps

301-854

EFFECTIVE: MAY 1, 1993

SUPERSEDES: NEW

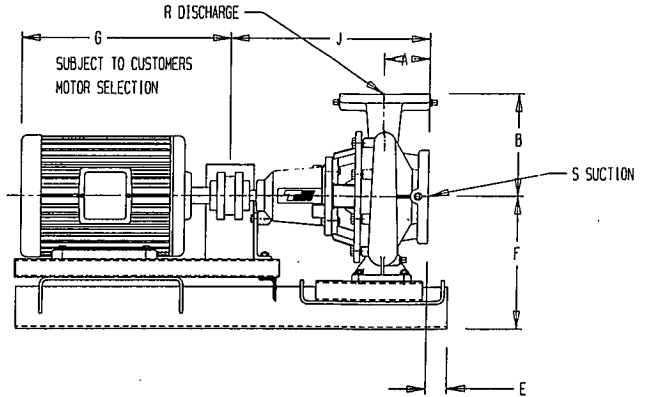
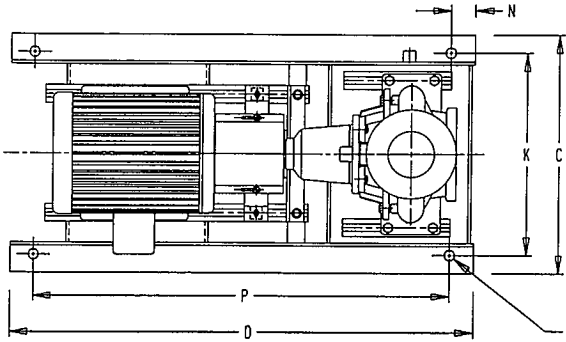
3500 RPM MODEL 3007

JOB _____

ENGINEER _____

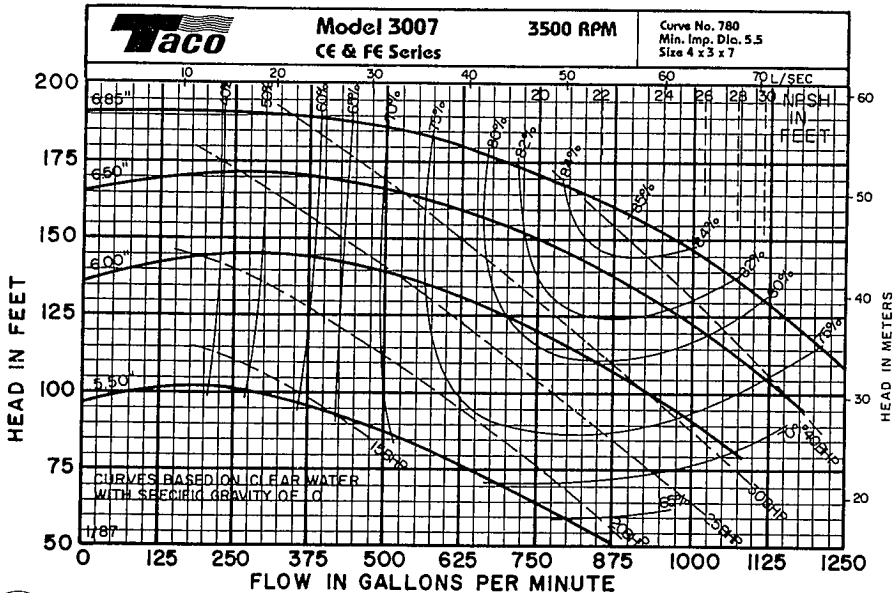
CONTRACTOR _____ REP. _____

ITEM NO.	MODEL NO.	IMPELLER DIA.	G.P.M.	HEAD/FT.	H.P.	ELEC. CHARS.
----------	-----------	---------------	--------	----------	------	--------------



50 Cycle Performance Curves attached when applicable.

Model No.	HP 1160 RPM	HP 1760 RPM	HP 3500 RPM	Motor Frame	A	B	C	D	E	F	J	K	N	P	R	S
3007		2	7-1/2	145T	4-23/32	8-21/32	18	42	1-1/2	10-19/32	21-5/16	16	2	38	3	4
		3		182T												
		5		184T												
		213T														
		215T														
	15	22	49													
	20	45														
	25		254T													
	256T															
	30		284TS													
40	286TS															
50	324TS															
60	326TS															



Item	BRONZE FITTED		ALL IRON	
	Std. Pump Constr.	Optional	Standard	Optional
Casing	Cast Iron ASTM A48 Cl. 35		Cast Iron ASTM A48 Cl. 35	
Impeller	Bronze ASTM B30-4A		Cast Iron ASTM A48 Cl. 35	
Wear Ring	Bronze ASTM B30-4A		Bronze ASTM B30-4A	
Shaft	Carbon Steel AISI 1045	St. Steel AISI 416	Carbon Steel AISI 1045	St. Steel AISI 416
Shaft Sleeve	Bronze SAE 660	St. Steel AISI 416	St. Steel AISI 416	
Mech. Seal	Ceramic	Tungsten Carbide	Ceramic	Tungsten Carbide
Seal Flush Line		Copper		Copper

OPERATING SPECIFICATIONS		
	Standard	Optional
Pressure	175 PSIG*	
Temperature: Mechanical Seal	250F	300F

Motors: All NEMA Standard (T or TS)
* In accordance with ANSI Standard B18.1 Class 125

ADDITIONAL OPTIONS	
Filters	Cuno 5 Micron
Separators	Kynar Cyclone Separator
Couplings	Spacer Type

WEIGHT _____ PUMP/MOTOR

COMMENTS: _____