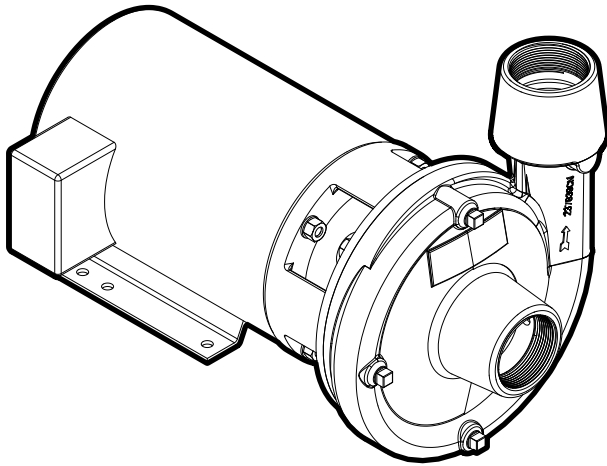


Close-Coupled FAC 3 - 5 hp

BOOK: CCF-015
DATE: Mar. 1, 2012



Specifications:

Capacities: to 150 gpm

Heads: to 160 feet

Working Pressure: 120 psi max

Temperature: 212 °F max

Rotation: clockwise viewed from motor end

Pipe Connections: NPT

HP	Discharge	Suction
3	2"	2"
5	2"	2"

Features:

- **Volute:** Cast iron, can be rotated for ease of installation. Tapped openings provided for draining.
- **Impeller:** Enclosed design for high efficiency. Cast iron construction.
- **Mechanical Seal:** Standard carbon/ceramic faces, Viton® elastomers and 300 series stainless components.
- **Motor:** Standard 3600 rpm JM, open-drip-proof. Designed for continuous operation.
- **Mounting:** Can be mounted in vertical or horizontal position.

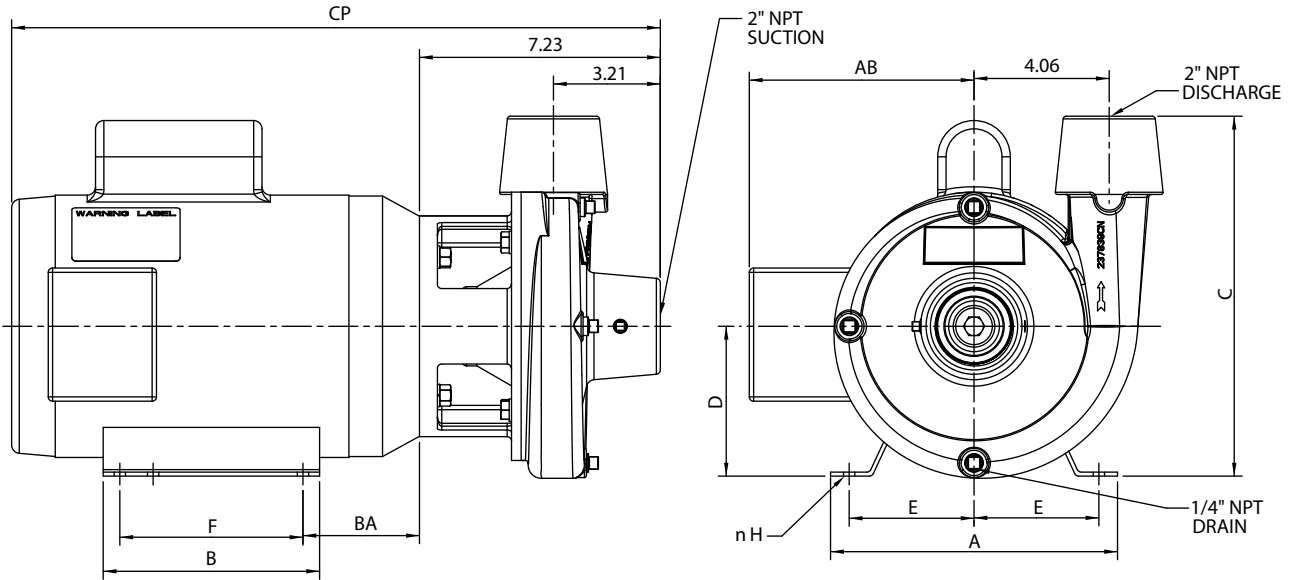
Applications:

- Water Circulation
- Booster Service
- Liquid Transfer
- Spraying Systems
- Jockey Pump
- General Service

Viton® is a registered trademark of E. I. du Pont de Nemours and Company.

Close-Coupled FAC 3 - 5 hp

Dimensional Drawings:



Dimensions:

HP	PH	Disch. (NPT)	Suct. (NPT)	CP	A	B	C	D	E	F	n H	AB	BA
3	1	2"	2"	19.48	8.63	6.50	10.81	4.50	3.75	5.50	.41	6.75	3.50
	3	2"	2"	16.73	6.50	5.94	9.81	3.50	2.75	5.00	.34	5.12	2.88
5	1	2"	2"	19.48	8.63	6.50	10.81	4.50	3.75	5.50	.41	6.75	3.50
	3	2"	2"	18.61	8.63	6.50	10.81	4.50	3.75	5.50	.41	5.12	3.50

Note: Dimensions are for estimating purposes only. All dimensions in inches.

Close-Coupled FAC 3 - 5 hp

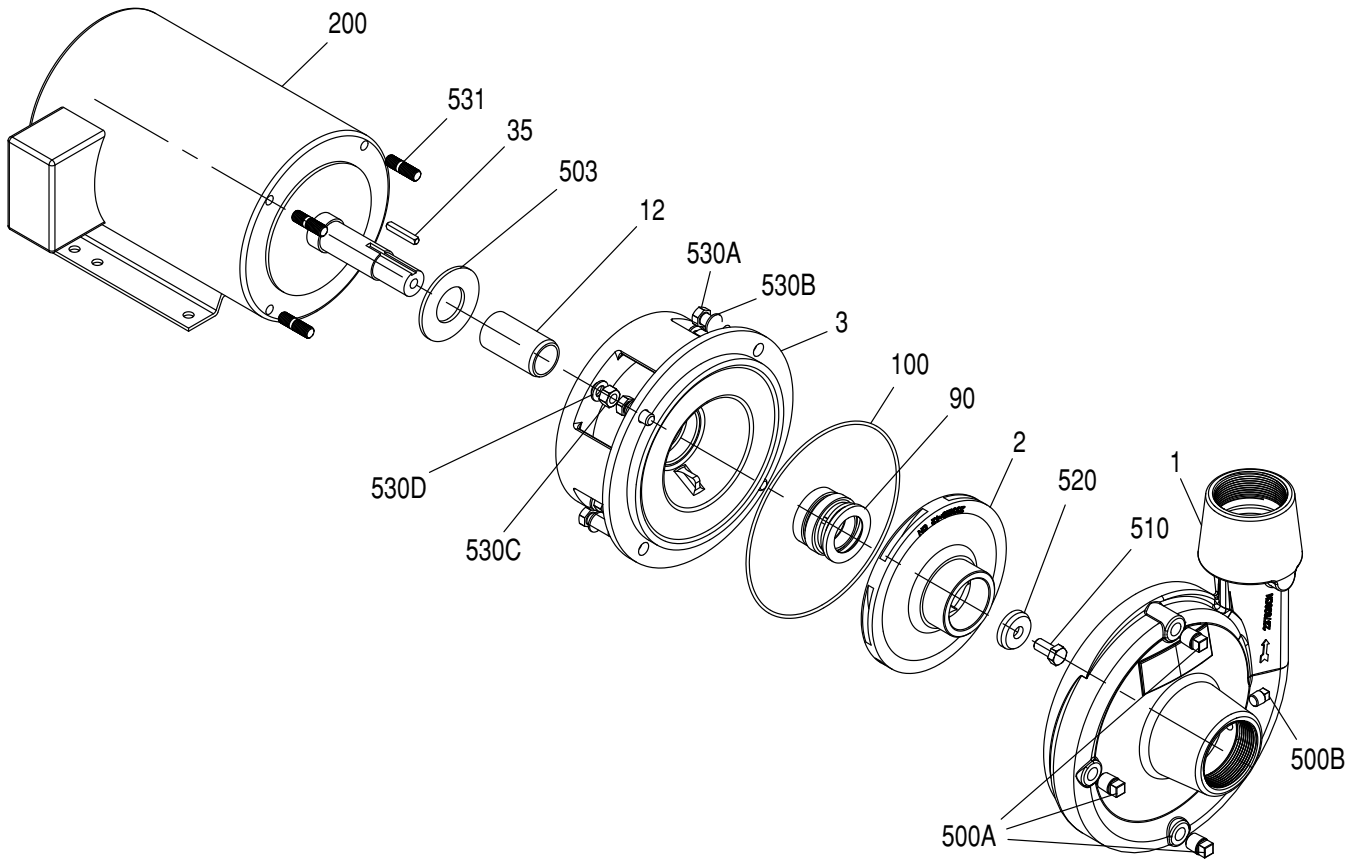
Ordering Information:

Close-Coupled FAC 3 - 5 HP						
Pump Size (Dis x Suc)	HP	Phase	Voltage	Model Description	Order Number	Weight
2 x 2	3	1	230	FAC-300S	90210030	83
2 x 2	3	3	208-230/460	FAC-300T	90213030	83
2 x 2	5	1	230	FAC-500S	90210050	134
2 x 2	5	3	208-230/460	FAC-500T	90213050	129

Note: All weight in pounds.

Close-Coupled FAC 3 - 5 hp

Exploded Parts Drawing:



Close-Coupled FAC 3 - 5 hp

Materials and Parts:

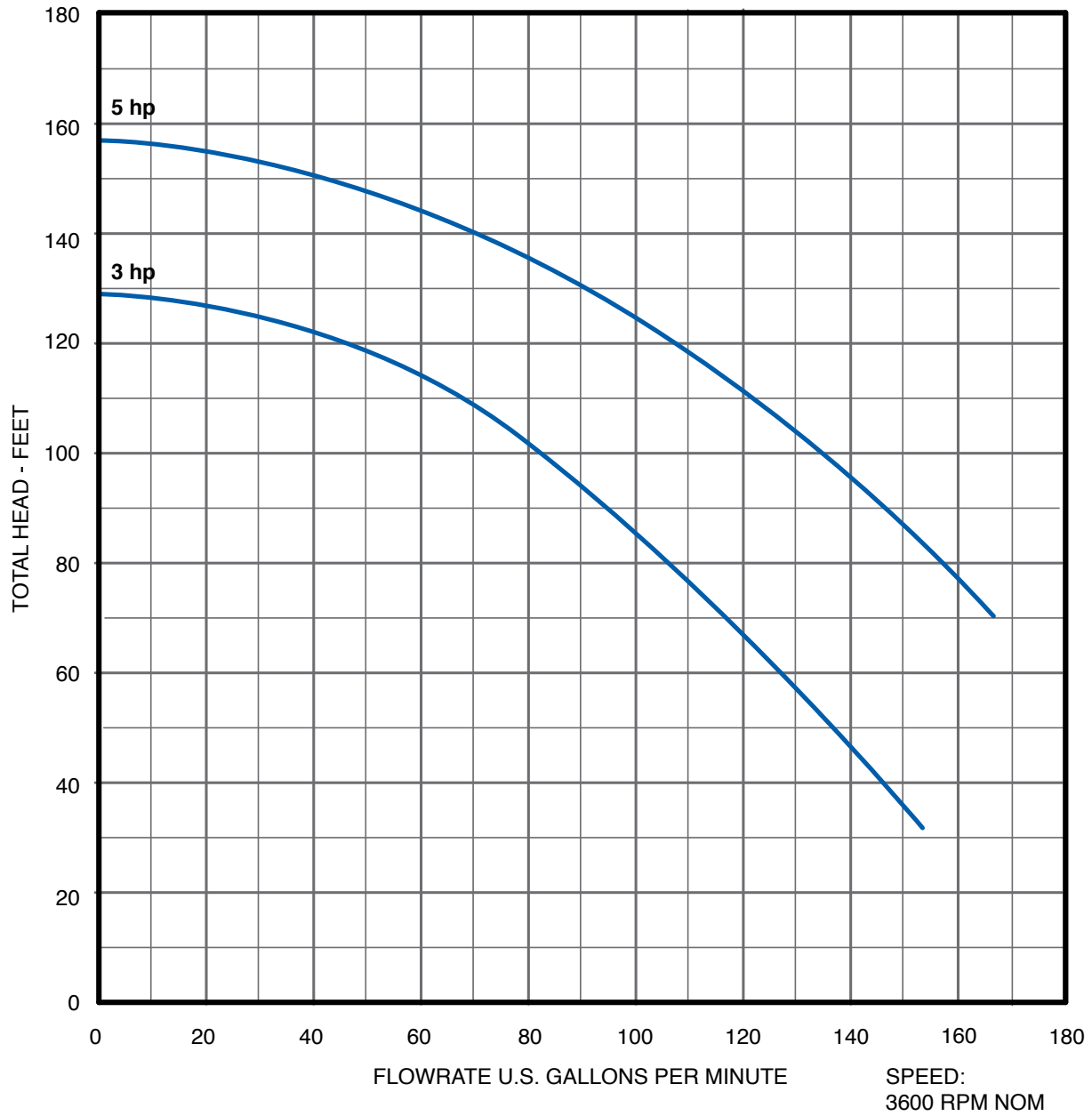
Fig No.	Part Description	Repair No.		Materials of Construction
		FAC-300	FAC-500	
1	Pump Case	305459001		Cast Iron, ASTM-A48 CL30
2	Impeller	305453025	305453026	Cast Iron, ASTM-A48 CL30
3	Motor Adapter	305453027		Cast Iron, ASTM-A48 CL30
12	Mechanical Seal Shaft Sleeve	305458011		416 Stainless Steel
35	Impeller Shaft Key	305453028	305451003	301 Stainless Steel
90	Mechanical Shaft Seal	305457011		Carbon/Ceramic/Viton® SS
100	Case O-Ring (2-pack)	305463004		Buna-N
200	Motor	See Motor Section		Misc.
503	Water Slinger	305453030		Neoprene
510	Impeller Hex Cap Screw	305463077		316 Stainless-Grade 5
520	Impeller Washer	305448013	305455014	300 Series Stainless Steel
531	Threaded Stud (4-Pack)	305463129		Zinc Plated Steel
500A	Pipe Plug 1/4" (4-Pack)	305463020		Cad-Plated Steel
500B	Pipe Plug 1/8" (4-Pack)	305463009		Cad-Plated Steel
530A	Volute Hex Cap Screw (12-Pack)	305463010		Zinc Plated Steel
530B	Lockwasher - Volute (6-Pack)	305463032		Zinc Plated Steel
530C	Hex Nuts - Motor Adapter (6-Pack)	305463033		Zinc Plated Steel
530D	Lockwasher - Motor Adapter (6-Pack)	305463032		Zinc Plated Steel

Viton® is a registered trademark of E. I. du Pont de Nemours and Company.

Close-Coupled FAC 3 - 5 hp

Performance Curve:

3600
Nominal





Franklin Electric

400 East Spring Street, Bluffton, Indiana 46714
Tel: 260.824.2900 Fax: 260.824.2909
www.franklin-electric.com