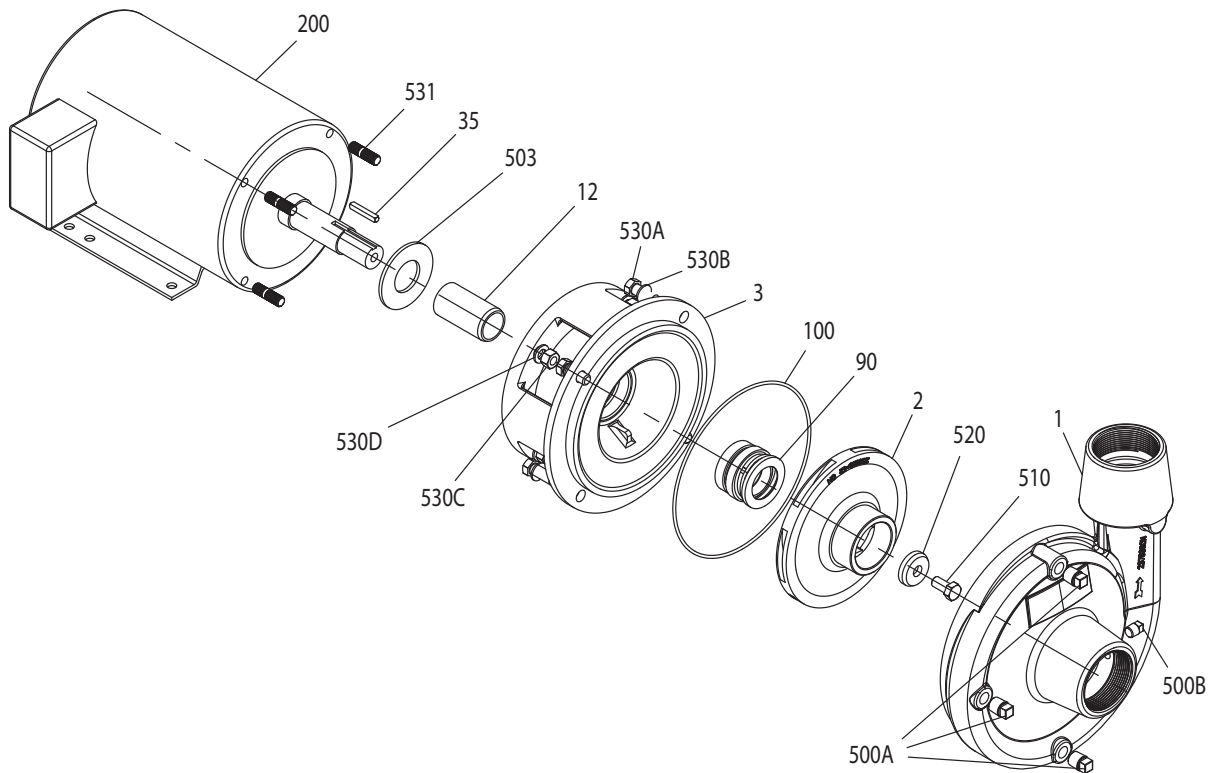


Close-Coupled FAC

3 - 5 hp



Materials and Parts:

Fig No.	Part Description	Repair No.		Materials of Construction
		FAC-300	FAC-500	
1	Pump Case	305459001		Cast Iron, ASTM-A48 CL30
2	Impeller	305453025	305453026	Cast Iron, ASTM-A48 CL30
3	Motor Adapter	305453027		Cast Iron, ASTM-A48 CL30
12	Mechanical Seal Shaft Sleeve	305458011		416 Stainless Steel
35	Impeller Shaft Key	305453028	305451003	301 Stainless Steel
90	Mechanical Shaft Seal	305457011		Carbon/Ceramic/Viton * SS
100	Case O-Ring (2-pack)	305463004		Buna-N
200	Motor	See Motor Section		Misc.
503	Water Slinger	305453030		Neoprene
510	Impeller Hex Cap Screw	305463077		316 Stainless-Grade 5
520	Impeller Washer	305448013	305455014	300 Series Stainless Steel
531	Threaded Stud (4-Pack)	305463129		Zinc Plated Steel
500A	Pipe Plug 1/4" (4-Pack)	305463020		Cad-Plated Steel
500B	Pipe Plug 1/8" (4-Pack)	305463009		Cad-Plated Steel
530A	Volute Hex Cap Screw (12-Pack)	305463010		Zinc Plated Steel
530B	Lockwasher - Volute (6-Pack)	305463032		Zinc Plated Steel
530C	Hex Nuts - Motor Adapter (6-Pack)	305463033		Zinc Plated Steel
530D	Lockwasher - Motor Adapter (6-Pack)	305463032		Zinc Plated Steel