

# CENTRIFUGAL PUMPS

CLOSE-COUPLED FAC (½–2 HP)

# FPS

## FEATURES

- Volute: Cast iron construction; can be rotated for ease of installation; tapped openings for draining
- Impeller: Cast iron construction; enclosed design for high efficiency
- Mechanical Seal: GL-SiC/GL-SiC x FKM elastomers; 300-series stainless steel components
- Motor: 3600 rpm; 56J; C-face; open drip-proof
- Mounting: Vertical or horizontal position

## SPECIFICATIONS

- Capacities to 60 gpm
- Heads to 130 feet
- 75 psi maximum working pressure
- 212 °F maximum temperature
- Clockwise rotation when viewed from motor end
- NPT pipe connections



## APPLICATIONS

- Water Circulation
- Booster Service
- Liquid Transfer
- Spraying Systems
- Jockey Pump
- General Service

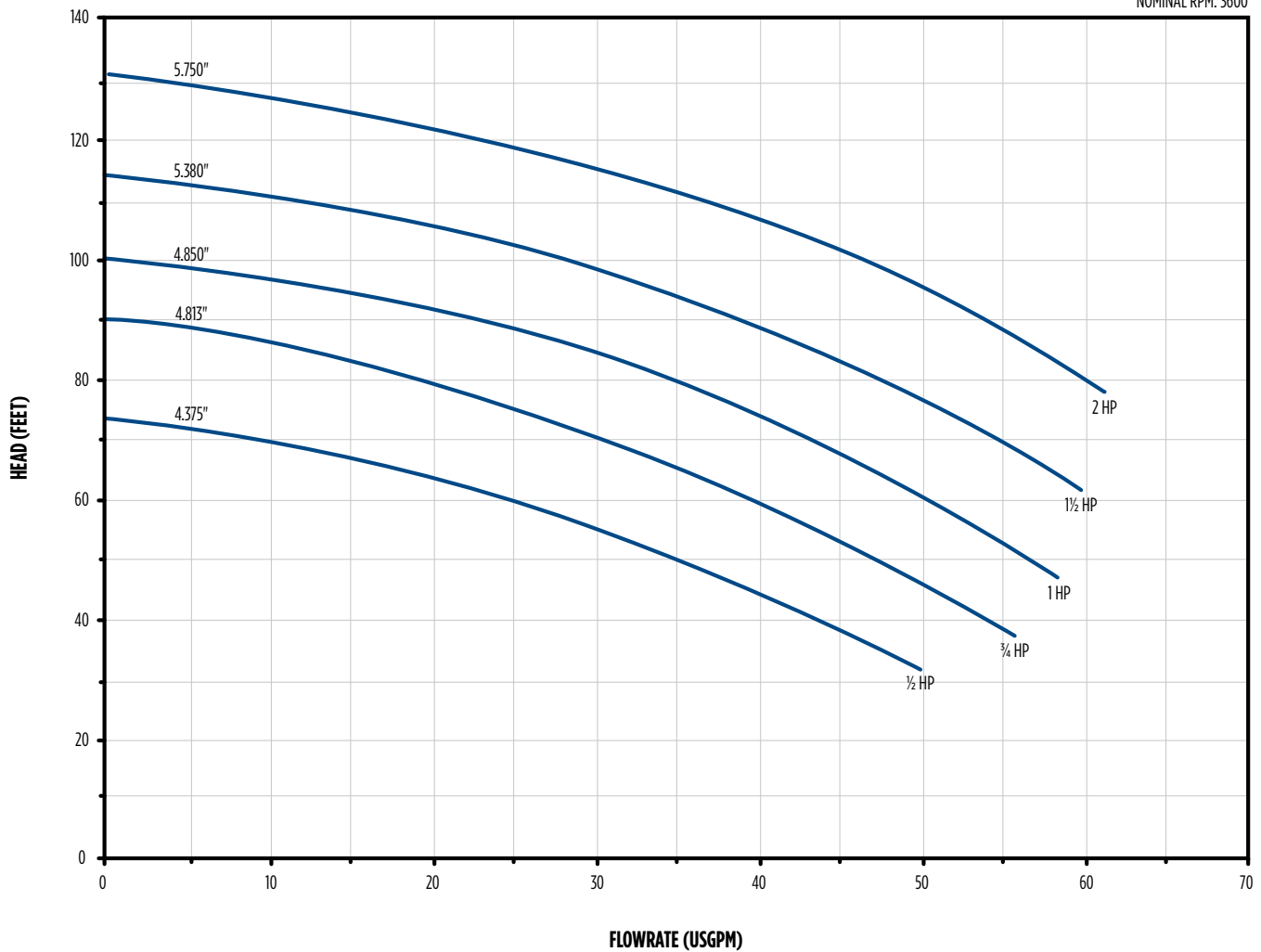
# CENTRIFUGAL PUMPS

CLOSE-COUPLED FAC (½–2 HP)



## PERFORMANCE

NOMINAL RPM: 3600



## ORDERING INFORMATION

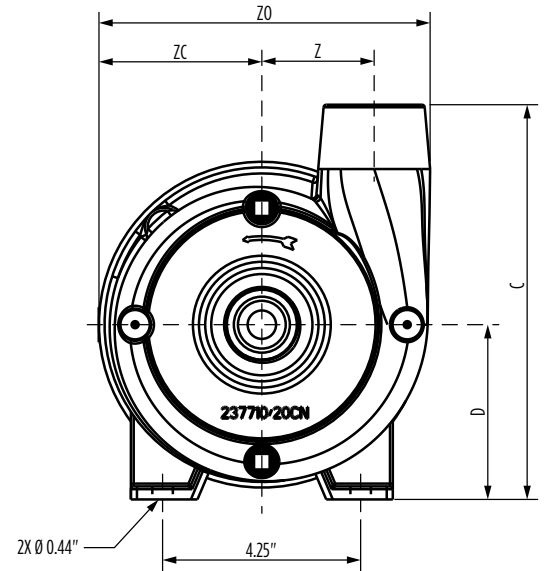
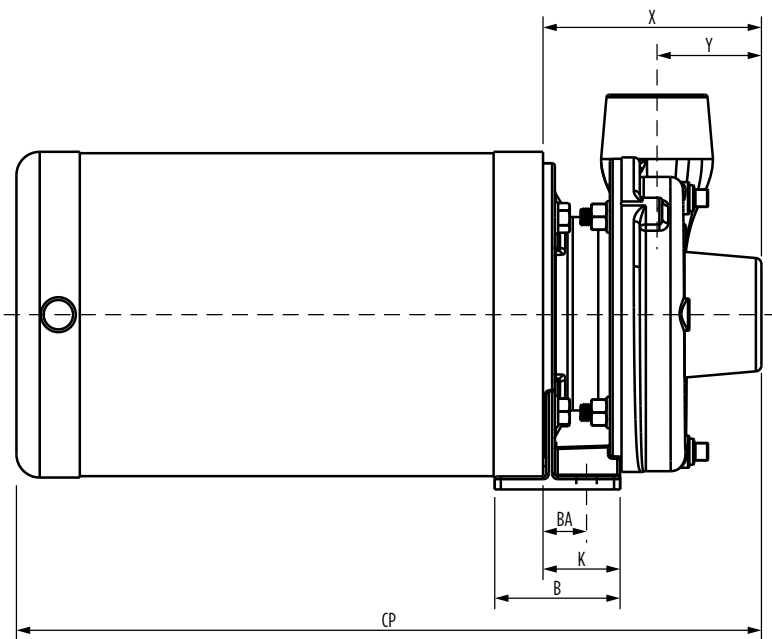
HP	Dis. x Suc. (NPT)	Phase	Voltage	Model Description	Order No.	Wt. (lbs)
1/2	1" x 1 1/4"	1	115/230	FAC-50S	90210005	32
		3	208-230/460	FAC-50T	90213005	
3/4	1 1/4" x 1 1/2"	1	115/230	FAC-75S	90210007	36
		3	208-230/460	FAC-75T	90213007	
1	1 1/4" x 1 1/2"	1	115/230	FAC-100S	90210010	39
		3	208-230/460	FAC-100T	90213010	
1 1/2	1 1/2" x 2"	1	115/230	FAC-150S	90210015	47
		3	208-230/460	FAC-150T	90213015	
2	1 1/2" x 2"	1	230	FAC-200S	90210020	53
		3	208-230/460	FAC-200T	90213020	

# CENTRIFUGAL PUMPS

CLOSE-COUPLED FAC (1/2-2 HP)



## DIMENSIONS



HP	PH	Dis. x Suc. (NPT)	Dimensions (in)																															
			B	C	D	K	X	Y	Z	BA	CP	ZC	Z0																					
1/2	1	1" x 1 1/4"	2.69	8.47	3.75	1.65	4.69	2.24	2.41	0.93	13.59	3.50	7.11																					
	3										12.45																							
3/4	1	1 1/4" x 1 1/2"									2.69			8.47	3.75	1.65	4.69	2.24	2.41	0.93	14.09	3.50	7.11											
	3																				13.70													
1	1																				1 1/4" x 1 1/2"			2.69	8.47	3.75	1.65	4.69	2.24	2.41	0.93	15.99	3.50	7.11
	3																															13.70		
1-1/2	1	1 1/2" x 2"	2.62	9.24	4.15	1.63	4.86	2.31	2.66	0.94		17.76	3.75																			7.73		
	3											15.52																						
2	1										1 1/2" x 2"	2.62		9.24	4.15	1.63	4.86	2.31	2.66	0.94	17.76	3.75	7.73											
	3																				16.02													

NOTE: Dimensions are for estimating purposes only.

## MATERIALS AND PARTS

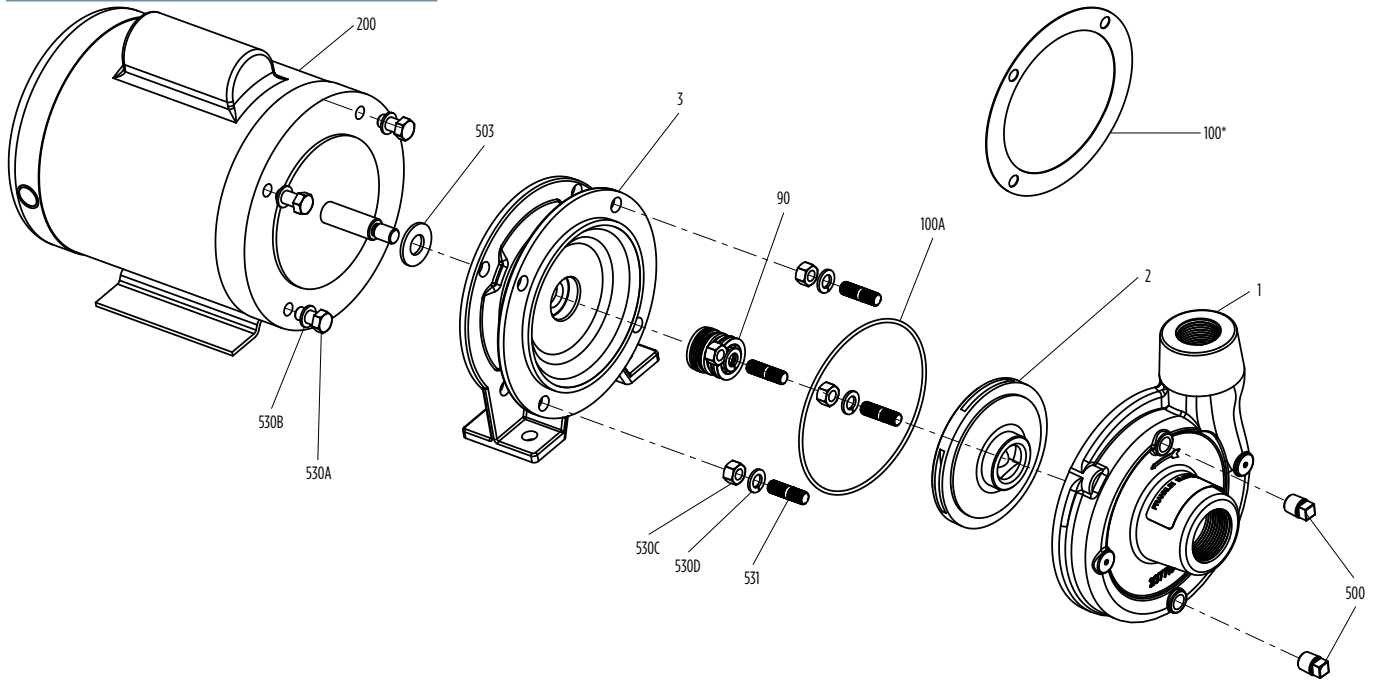


Fig. No.	Part Description	Part No.					Materials of Construction
		FAC-50	FAC-75	FAC-100	FAC-150	FAC-200	
1	Pump Case	305453001	305453015		305453016		Cast iron, ASTM-A48 CL30
2	Impeller	305453017	305453018	305453019	305453020	305453021	Cast iron, ASTM-A48 CL30
3	Motor Adapter	305453022		305453023		Cast iron, ASTM-A48 CL30	
90	Mechanical Shaft Seal	305463029					GL-SiC/GL-SiC x FKM-stainless steel
100*	Case Gasket	305453007		305453024			EPDM
100A	O-ring	305463251		305463252			Nitrile
200	Motor (56-J)	See Motor Section					Misc.
500	Pipe Plug (2-pack)	305463020					CAD-plated steel
503	Flinger	305453005					Neoprene
530A	Hex Bolt - Motor Adapter (8-pack)	305463030					Zinc-plated steel
530B	Lock Washer (8-pack)	305463032					Zinc-plated steel
530C	Hex Nut (8-pack)	305463033					Zinc-plated steel
530D	Lock Washer (6-pack)	305463032					Zinc-plated steel
531	Stud (4-pack)	305463129					Zinc-plated steel

\* Pumps built before March 2015 use a gasket and washer/hex bolt instead of O-ring.

