

## MATERIALS AND PARTS

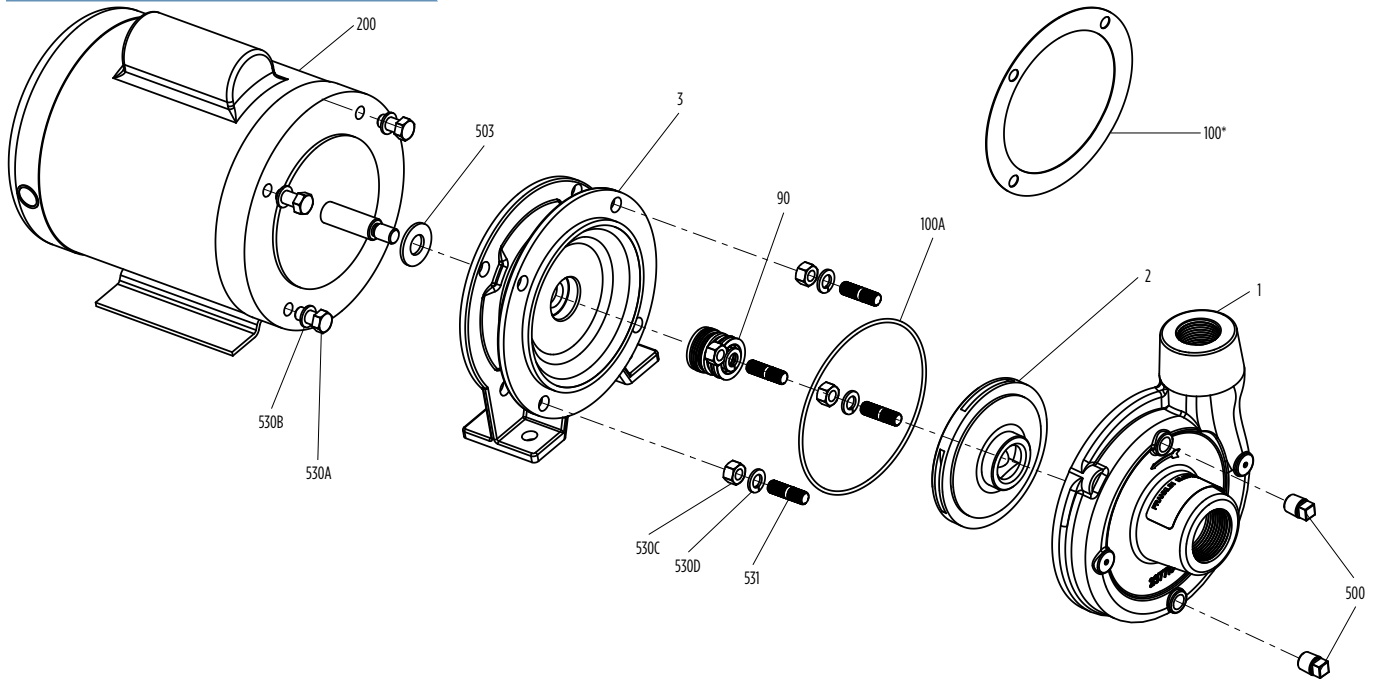


Fig. No.	Part Description	Part No.					Materials of Construction
		FAC-50	FAC-75	FAC-100	FAC-150	FAC-200	
1	Pump Case	305453001	305453015		305453016		Cast iron, ASTM-A48 CL30
2	Impeller	305453017	305453018	305453019	305453020	305453021	Cast iron, ASTM-A48 CL30
3	Motor Adapter	305453022		305453023		Cast iron, ASTM-A48 CL30	
90	Mechanical Shaft Seal	305463029					GL-SiC/GL-SiC x FKM-stainless steel
100*	Case Gasket	305453007		305453024			EPDM
100A	O-ring	305463251		305463252			Nitrile
200	Motor (56-J)	See Motor Section					Misc.
500	Pipe Plug (2-pack)	305463020					CAD-plated steel
503	Flinger	305453005					Neoprene
530A	Hex Bolt - Motor Adapter (8-pack)	305463030					Zinc-plated steel
530B	Lock Washer (8-pack)	305463032					Zinc-plated steel
530C	Hex Nut (8-pack)	305463033					Zinc-plated steel
530D	Lock Washer (6-pack)	305463032					Zinc-plated steel
531	Stud (4-pack)	305463129					Zinc-plated steel

\* Pumps built before March 2015 use a gasket and washer/hex bolt instead of O-ring.

