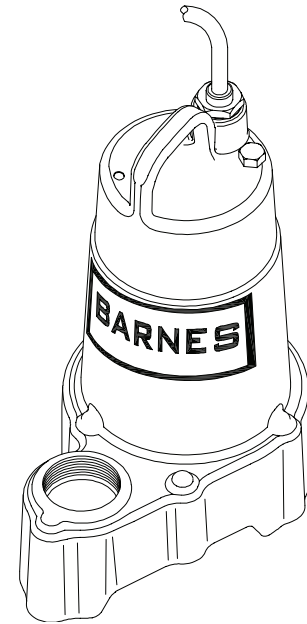


### Submersible Effluent Pumps

## Specifications:

<b>DISCHARGE</b> .....	1½" NPT, Female, Vertical
<b>LIQUID TEMPERATURE</b> .....	104°F (40°C) Continuous
<b>MOTOR HOUSING</b> .....	Cast Iron
<b>BODY &amp; STRAINER</b> .....	Thermoplastic
<b>IMPELLER: Design</b> .....	10 Vane vortex, with pump out vanes on back side. Balanced, ISO G6.3
<i>Material</i> .....	Cast Iron
<b>SHAFT</b> .....	Stainless Steel
<b>O-RINGS</b> .....	Buna-N
<b>HARDWARE</b> .....	300 Series Stainless Steel
<b>PAINT</b> .....	Air Dry Enamel
<b>SEAL: Design</b> .....	Single Mechanical, Type 21
<i>Material</i> .....	Carbon/Ceramic/Buna-N Hardware - 300 Series Stainless
<b>CORD ENTRY</b> .....	20 ft. (6m) Quick connect cord with plug and pressure Grommet for sealing and strain relief
<b>UPPER BEARING</b> .....	Single Row, Ball, Oil Lubricated
<b>LOWER BEARING</b> .....	Single Row, Ball, Oil Lubricated
<b>MOTOR: Design</b> .....	Oil Filled
<i>Insulation</i> .....	Class B
<b>SINGLE PHASE</b> .....	Permanent Split Capacitor (PSC). Includes thermal overload protection in motor
<b>LEVEL CONTROL</b>	
EP52X .....	None
EP52AX .....	Wide angle, Mechanical, 20 ft. (6m) cord with Piggy-Back plug
EP52VFX .....	Vertical float, PVC, snap action, 20 ft (6m) cord with Piggy-Back plug
<b>MINIMUM SUMP DIA:</b>	
EP52AX .....	18" (457mm)
EP52X & EP52VXF	12" (305mm)



## Series: EP52X 1/2HP, 3450RPM, 60Hz



## DESCRIPTION:

PUMP IS DESIGNED FOR HANDLING SEWAGE EFFLUENT IN TYPICAL SEPTIC TANK/EFFLUENT APPLICATIONS.

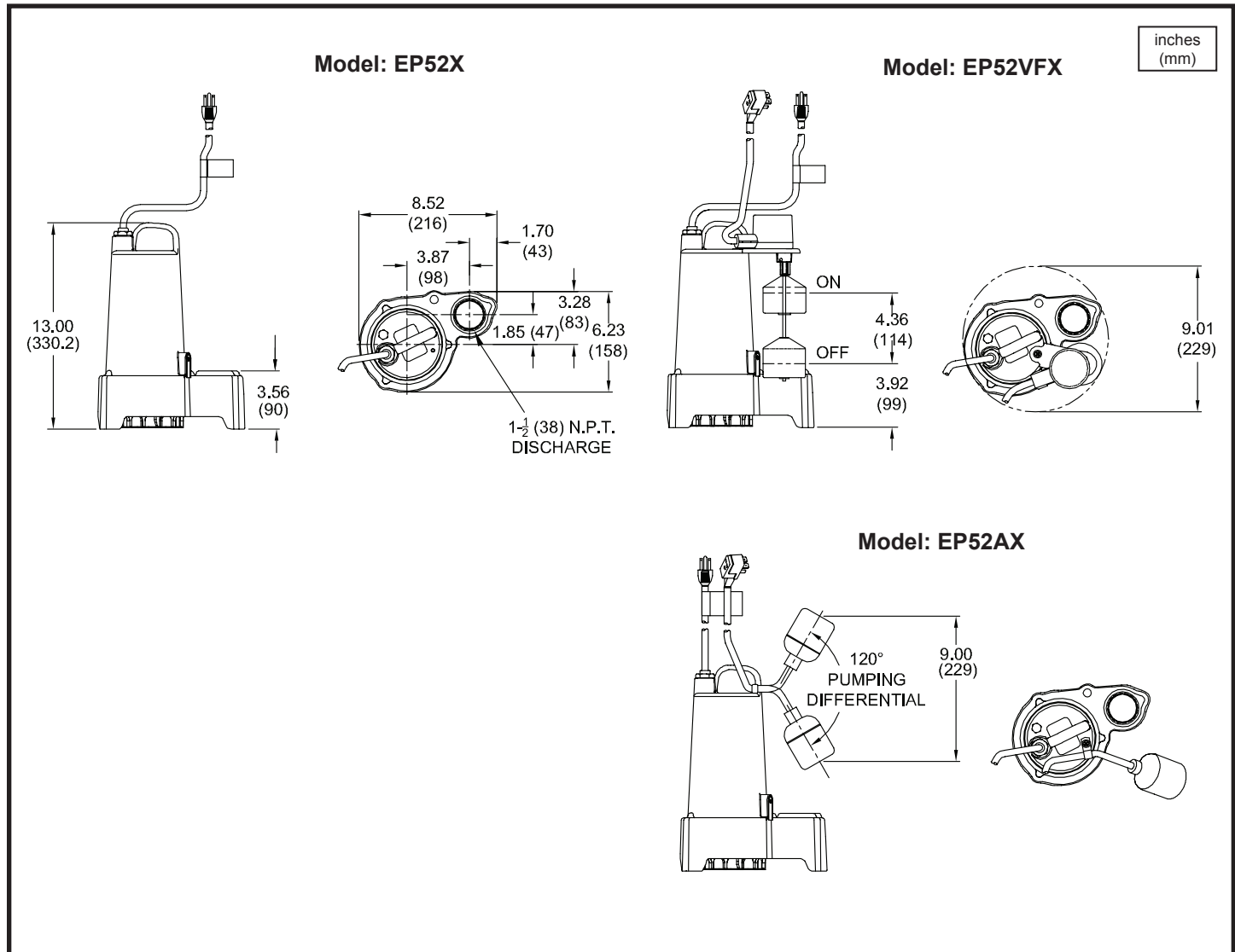
# Series EP52X

3/4" Spherical Solids Handling  
Manual & Automatic

# BARNES®

www.cranepumps.com

## Submersible Effluent Pumps



MODEL NO	PART NO	HP	VOLT/PH	Hz	RPM (Nom)	NEMA START CODE	FULL LOAD AMPS	CORD LENGTH	CORD SIZE	CORD TYPE
EP52X	119330	1/2	240/1	60	3450	D	3.4	20 ft. (6m)	16/3	SJTOW
EP52AX	119411	1/2	240/1	60	3450	D	3.4	20 ft. (6m)	16/3	SJTOW
EP52VFX	119412	1/2	240/1	60	3450	D	3.4	20 ft. (6m)	16/3	SJTOW

### IMPORTANT !

- 1.) PUMP MAY BE OPERATED "DRY" FOR EXTENDED PERIODS WITHOUT DAMAGE TO MOTOR AND/OR SEALS.
- 2.) INSTALLATIONS SUCH AS DECORATIVE FOUNTAINS OR WATER FEATURES PROVIDED FOR VISUAL ENJOYMENT MUST BE INSTALLED IN ACCORDANCE WITH THE NATIONAL ELECTRIC CODE ANSI/NFPA 70 AND/OR THE AUTHORITY HAVING JURISDICTION. THIS PUMP IS NOT INTENDED FOR USE IN SWIMMING POOLS, RECREATIONAL WATER PARKS, OR INSTALLATIONS IN WHICH HUMAN CONTACT WITH PUMPED MEDIA IS A COMMON OCCURRENCE.

SECTION 3A  
PAGE 26  
DATE 3/14

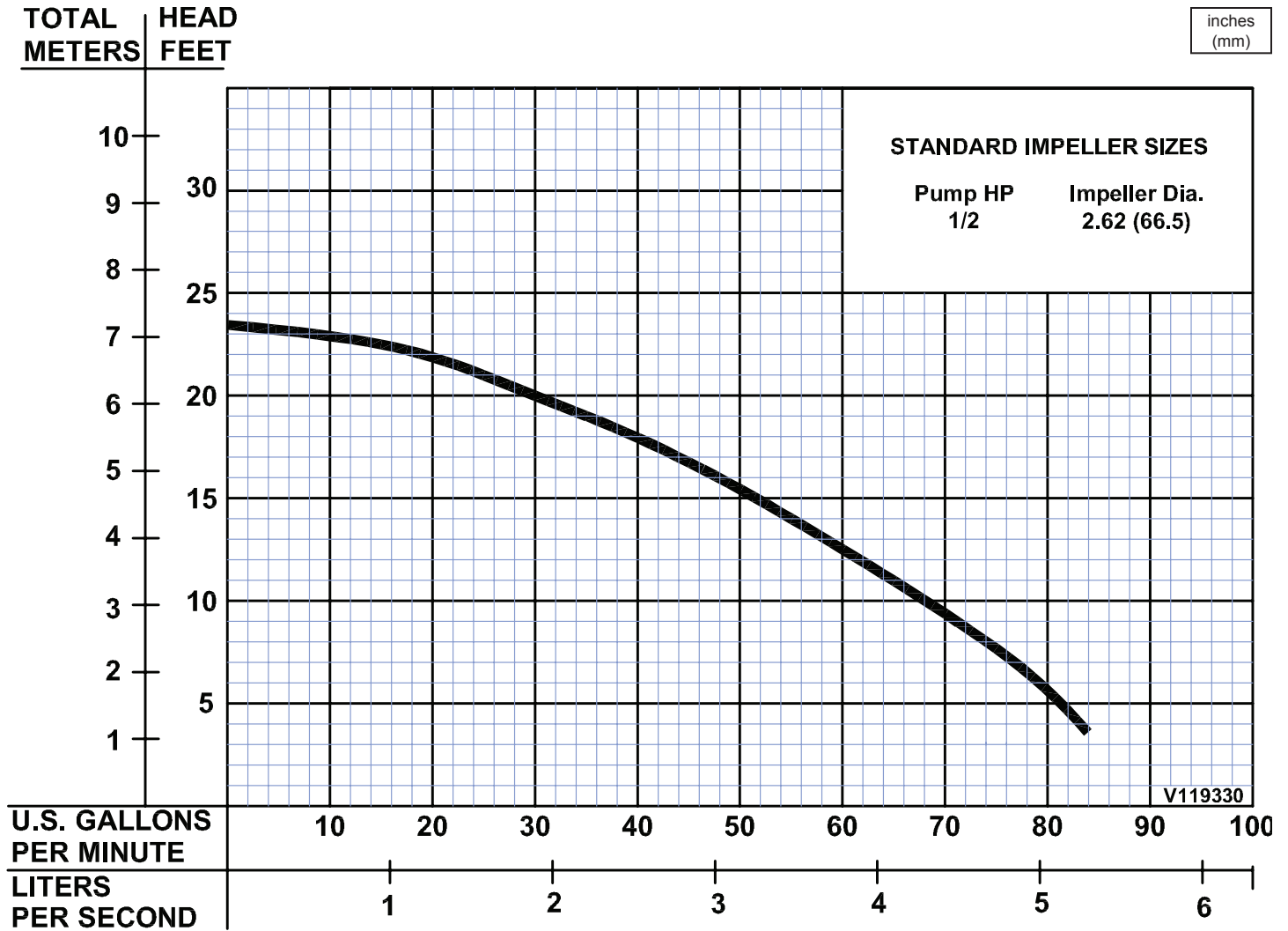
# CRANE®

A Crane Co. Company

## PUMPS & SYSTEMS

USA: (937) 778-8947 • Canada: (905) 457-6223 • International: (937) 615-3598

### Submersible Effluent Pumps



Testing is performed with water, specific gravity 1.0 @ 68° F @ (20°C), other fluids may vary performance