

# Series EP52X

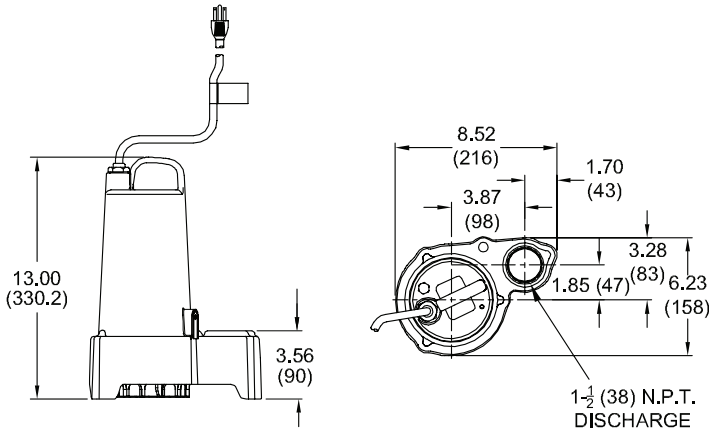
3/4" Spherical Solids Handling  
Manual & Automatic

# BARNES®

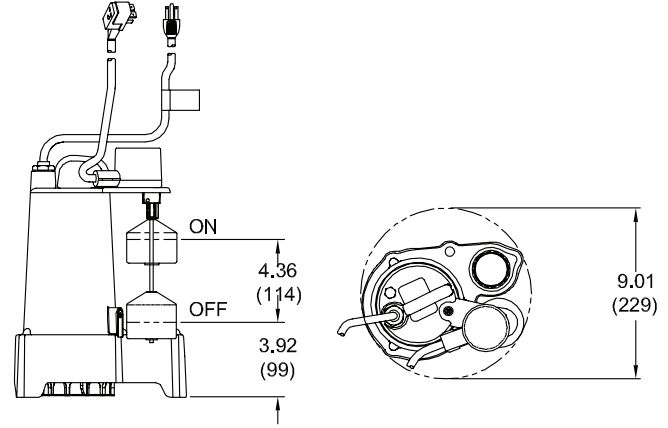
www.cranepumps.com

## Sump & Utility Pumps

Model: EP52X

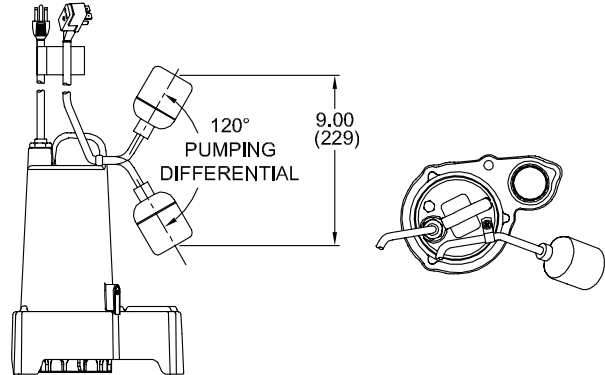


Model: EP52VFX



inches  
(mm)

Model: EP52AX



MODEL NO	PART NO	HP	VOLT/PH	Hz	RPM (Nom)	NEMA START CODE	FULL LOAD AMPS	CORD LENGTH	CORD SIZE	CORD TYPE
EP52X	119330	1/2	240/1	60	3450	D	3.4	20 ft. (6m)	16/3	SJTOW / SJTW
EP52AX	119411	1/2	240/1	60	3450	D	3.4	20 ft. (6m)	16/3	SJTOW / SJTW
EP52VFX	119412	1/2	240/1	60	3450	D	3.4	20 ft. (6m)	16/3	SJTOW / SJTW

### IMPORTANT !

- 1.) PUMP MAY BE OPERATED "DRY" FOR EXTENDED PERIODS WITHOUT DAMAGE TO MOTOR AND/OR SEALS.
- 2.) INSTALLATIONS SUCH AS DECORATIVE FOUNTAINS OR WATER FEATURES PROVIDED FOR VISUAL ENJOYMENT MUST BE INSTALLED IN ACCORDANCE WITH THE NATIONAL ELECTRIC CODE ANSI/NFPA 70 AND/OR THE AUTHORITY HAVING JURISDICTION. THIS PUMP IS NOT INTENDED FOR USE IN SWIMMING POOLS, RECREATIONAL WATER PARKS, OR INSTALLATIONS IN WHICH HUMAN CONTACT WITH PUMPED MEDIA IS A COMMON OCCURRENCE.

SECTION 1A  
PAGE 36  
DATE 1/13

**CRANE**  
A Crane Co. Company

PUMPS & SYSTEMS

USA: (937) 778-8947 • Canada: (905) 457-6223 • International: (937) 615-3598