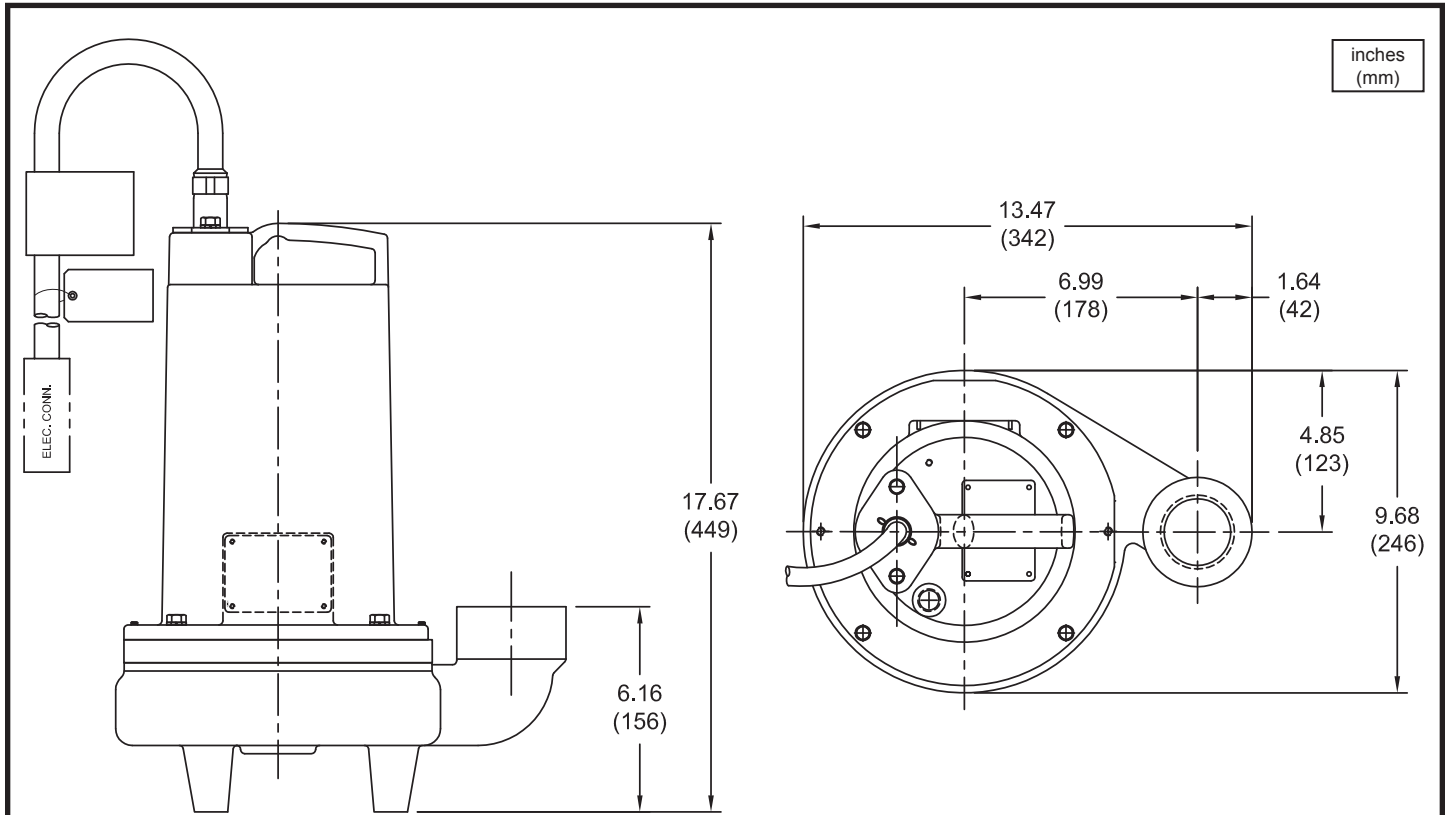


Submersible Effluent Pumps



MODEL NO	PART NO	HP	VOLT/PH	Hz	RPM (Nom)	NEMA START CODE	FULL LOAD AMPS	LOCKED ROTOR AMPS	CORD SIZE	CORD TYPE	CORD O.D inch (mm)
EH512L	105058	0.5	120/1	60	3450	G	11.4	24.6	14/3	SJTOW	0.375 (9.5)
EH522L	105059	0.5	240/1	60	3450	E	4.9	10.2	14/3	SOW	0.530 (13.5)
EH592L	105060	0.5	200/240/3	60	3450	P/R	4.2/4.5	19.9/18.4	14/4	SOW	0.570 (14.5)
EH542L	105061	0.5	480/3	60	3450	R	2.2	9.1	14/4	SOW	0.570 (14.5)
EH552L	105062	0.5	600/3	60	3450	T	1.7	8.7	14/4	SOW	0.570 (14.5)
EH1022L	105068	1.0	240/1	60	3450	F	8.1	21.8	14/3	SOW	0.530 (13.5)
EH1092L	105069	1.0	200/240/3	60	3450	H/J	8.1/6.2	19.9/18.4	14/4	SOW	0.570 (14.5)
EH1042L	105070	1.0	480/3	60	3450	J	3.1	9.1	14/4	SOW	0.570 (14.5)
EH1052L	105071	1.0	600/3	60	3450	L	2.8	8.7	14/4	SOW	0.570 (14.5)
EH1522L	105076	1.5	240/1	60	3450	E	10.9	30.6	14/3	SOW	0.530 (13.5)
EH1592L	105077	1.5	200/240/3	60	3450	H/F	7.8/7.0	29.2/18.7	14/4	SOW	0.570 (14.5)
EH1542L	105078	1.5	480/3	60	3450	K	3.5	14.6	14/4	SOW	0.570 (14.5)
EH1552L	105079	1.5	600/3	60	3450	K	2.7	11.6	14/4	SOW	0.570 (14.5)

OPTIONAL - Temperature sensor cord for 3 phase models is 14/3 SOW, .530 (13.5mm) O.D.

IMPORTANT !

- 1.) PUMP MAY BE OPERATED "DRY" FOR EXTENDED PERIODS WITHOUT DAMAGE TO MOTOR AND/OR SEALS.
- 2.) INSTALLATIONS SUCH AS DECORATIVE FOUNTAINS OR WATER FEATURES PROVIDED FOR VISUAL ENJOYMENT MUST BE INSTALLED IN ACCORDANCE WITH THE NATIONAL ELECTRIC CODE ANSI/NFPA 70 AND/OR THE AUTHORITY HAVING JURISDICTION. THIS PUMP IS NOT INTENDED FOR USE IN SWIMMING POOLS, RECREATIONAL WATER PARKS, OR INSTALLATIONS IN WHICH HUMAN CONTACT WITH PUMPED MEDIA IS A COMMON OCCURRENCE.