

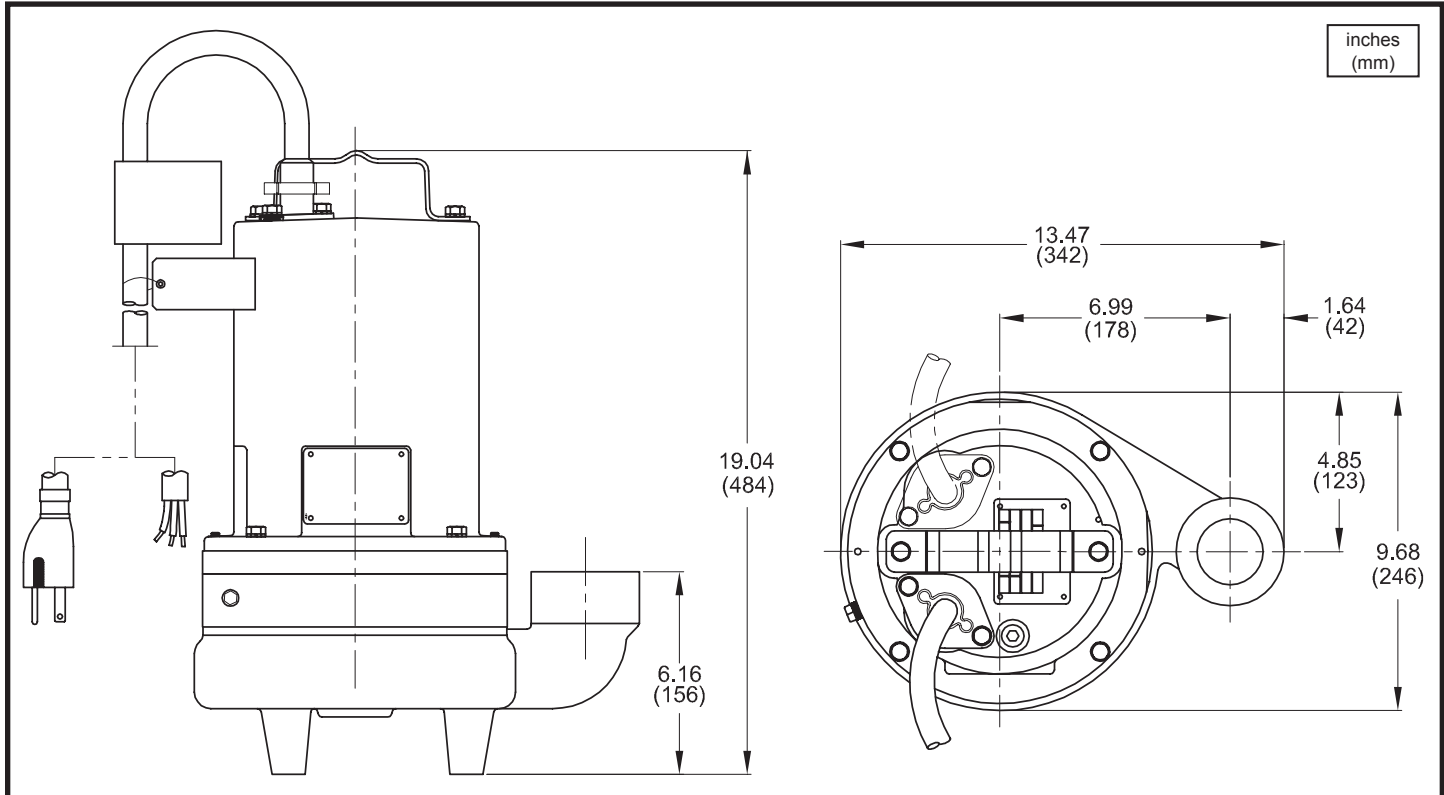
# Series EH-DS

3/4" Spherical Solids Handling  
Double Seal

# BARNES®

www.cranepumps.com

## Submersible Effluent Pumps



MODEL NO	PART NO	HP	VOLT/PH	Hz	RPM (Nom)	NEMA START CODE	FULL LOAD AMPS	LOCKED ROTOR AMPS	CORD SIZE	CORD TYPE	CORD O.D inch (mm)
EH512DS	105063	0.5	120/1	60	3450	G	11.4	24.6	14/3	SJTOW	0.375 (9.5)
EH522DS	105064	0.5	240/1	60	3450	E	4.9	10.2	14/3	SOW	0.530 (13.5)
EH592DS	105065	0.5	200/240/3	60	3450	P/R	4.2/4.5	19.9/18.4	14/4	SOW	0.570 (14.5)
EH542DS	105066	0.5	480/3	60	3450	R	2.2	9.1	14/4	SOW	0.570 (14.5)
EH552DS	105067	0.5	600/3	60	3450	T	1.7	8.7	14/4	SOW	0.570 (14.5)
EH1022DS	105072	1.0	240/1	60	3450	F	8.1	21.8	14/3	SOW	0.530 (13.5)
EH1092DS	105073	1.0	200/240/3	60	3450	H/J	8.1/6.2	19.9/18.4	14/4	SOW	0.570 (14.5)
EH1042DS	105074	1.0	480/3	60	3450	J	3.1	9.1	14/4	SOW	0.570 (14.5)
EH1052DS	105075	1.0	600/3	60	3450	L	2.8	8.7	14/4	SOW	0.570 (14.5)
EH1522DS	105080	1.5	240/1	60	3450	E	10.9	30.6	14/3	SOW	0.530 (13.5)
EH1592DS	105081	1.5	200/240/3	60	3450	H/F	7.8/7.0	29.2/18.7	14/4	SOW	0.570 (14.5)
EH1542DS	105082	1.5	480/3	60	3450	K	3.5	14.6	14/4	SOW	0.570 (14.5)
EH1552DS	105083	1.5	600/3	60	3450	K	2.7	11.6	14/4	SOW	0.570 (14.5)

OPTIONAL - Temperature sensor cord for 3 phase models is 14/3 SOW, .530 (13.5mm) O.D.

OPTIONAL - Moisture sensor cord is 18/5 SOW, 0.470 (11.9mm) O.D.

OPTIONAL - Moisture and Temperature sensor cord for 3 phase models is 18/5 SOW, 0.470 (11.9mm) O.D.

### IMPORTANT !

- 1.) PUMP MAY BE OPERATED "DRY" FOR EXTENDED PERIODS WITHOUT DAMAGE TO MOTOR AND/OR SEALS.
- 2.) INSTALLATIONS SUCH AS DECORATIVE FOUNTAINS OR WATER FEATURES PROVIDED FOR VISUAL ENJOYMENT MUST BE INSTALLED IN ACCORDANCE WITH THE NATIONAL ELECTRIC CODE ANSI/NFPA 70 AND/OR THE AUTHORITY HAVING JURISDICTION. THIS PUMP IS NOT INTENDED FOR USE IN SWIMMING POOLS, RECREATIONAL WATER PARKS, OR INSTALLATIONS IN WHICH HUMAN CONTACT WITH PUMPED MEDIA IS A COMMON OCCURRENCE.

SECTION 3A  
PAGE 14  
DATE 3/14

**CRANE**  
A Crane Co. Company

PUMPS & SYSTEMS

USA: (937) 778-8947 • Canada: (905) 457-6223 • International: (937) 615-3598