

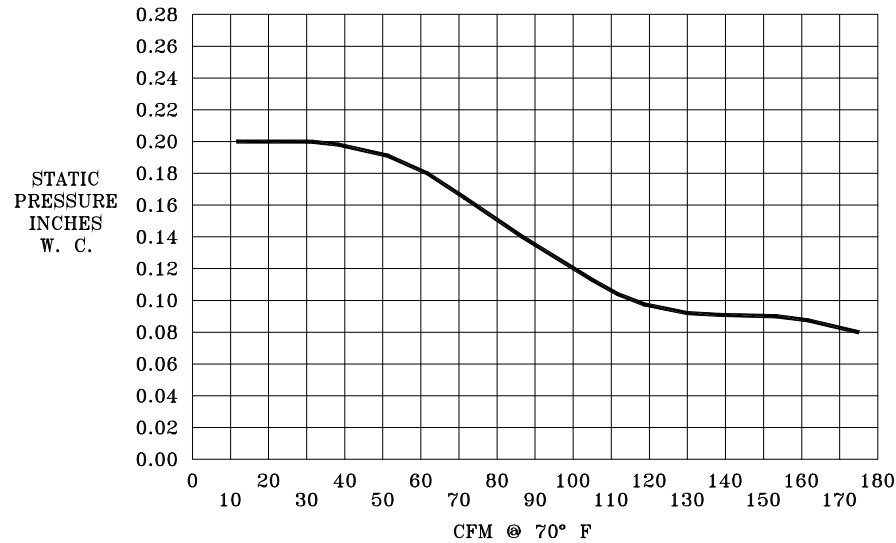
ELECTRICAL DATA	
Volts	115
Amps	.40
Watts	30
Phase	1
Hertz	60
Open Drip Proof	Auto
Therm. Protect	Yes
RPM	3000
UL FILE NUMBER	
Motor Construction	E-40513



TJERNLUND PRODUCTS, INC.

1601 Ninth Street • White Bear Lake, MN 55110-6794
 PHONE (800) 255-4208 • (651) 426-2993 • FAX (651) 426-9547
 Visit our web site • www.tjernlund.com

EA-5 & EF-6 FAN CURVE



APPLICATION:

Used as a means of increasing air flow through duct work or as an exhaust fan to vent non-combustible air or fumes from enclosed spaces. The maximum air flow operating temperature for the EF-Series is 150° F. (65° C.)

ACCESSORIES:

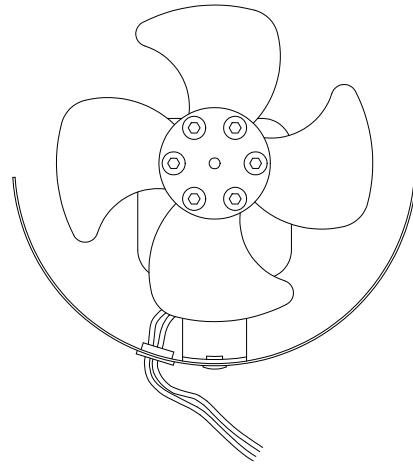
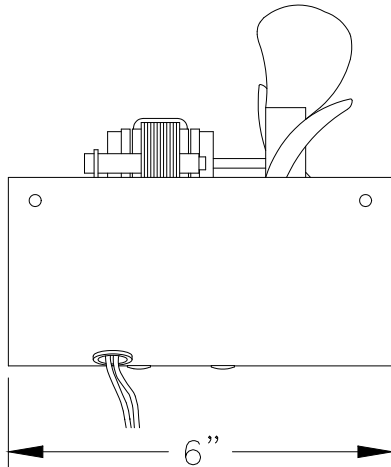
The EA-5, EF-6 can be activated with the optional model PS1503 Duct Airstat.

The EA-5, EF-6 can utilize the optional model SC-1 Speed Control.

CAUTION: This device is not designed to vent bi-products of combustion or combustible fumes.

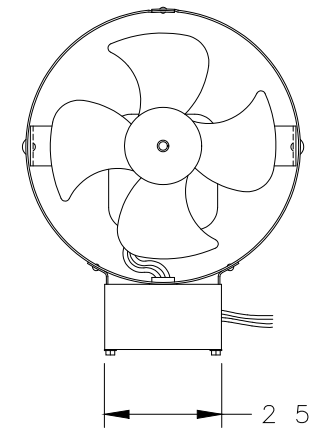
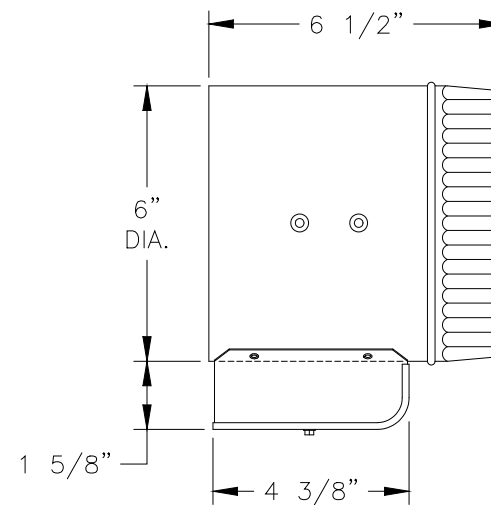
NOTE: Tjernlund Products reserves the right to make changes to specifications without notification.

EA-5 (Discontinued)



Model EA-5 may be mounted in round or flat ducts 6" in diameter or larger. Housing shroud can be straightened for mounting in flat ducts. Model DB-2 is also suitable for mounting in round or flat ducts.

EF-6



P/N 8506004 REV 10/02
 Copyright © 2002