

E.2 SERIES CIRCULATORS

E33.2/E33.2B | SUBMITTAL

File No: 10.602
 Date: JUNE 25, 2012
 Supersedes: 10.602
 Date: MARCH 15, 2012

Job: _____ Representative: _____
 _____ Order no.: _____ Date: _____
 Engineer: _____ Submitted by: _____ Date: _____
 Contractor: _____ Approved by: _____ Date: _____

QUANTITY	TAG NO.	PART NUMBER	FLOW (USgpm)	HEAD (FEET)	VOLTAGE	PHASE	COMMENTS

TECHNICAL DATA

Flow range: 0 to 143.0 USgpm (0 to 9.0 L/s)

Head range: 0 to 26.0 feet (0 to 7.9 m)

Max/Min fluid temp: 230°F/40°F (110°C/4°C)

Max. working pressure: 150 psi (1034 kPa)

MOTOR DATA

Voltage 120V 208V 240V 277V

Full load amp draw 5.7A 3.1A 3.1A 3.1A

Nominal power: 3/8 hp (300W)

Frequency: 60 Hz

Motor type: Two pole, Single phase ODP

Speed: 3300 rpm

MATERIALS OF CONSTRUCTION

Pump body: Cast iron (closed systems)
 Bronze (lead free for open systems)

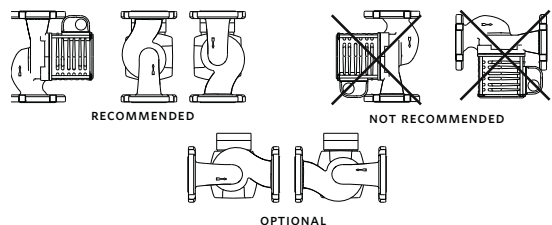
Face plate: Stainless steel **Shaft:** Stainless steel

Impeller: 30% Glass-filled noryl **Volute gasket:** EPDM

Bearings: Permanently lubricated stainless steel

Seal: Silicon carbide enviroseal c/w viton elastomer

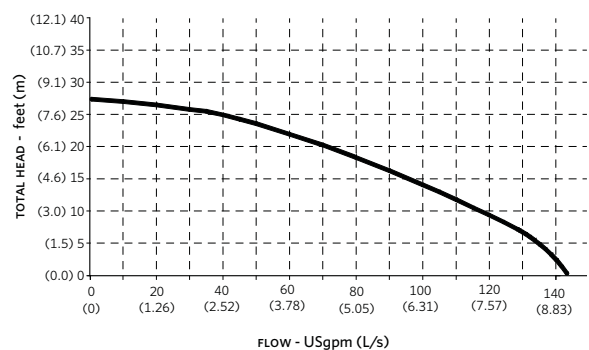
MOUNTING ORIENTATION FOR INDOOR USE ONLY



PART NUMBER

	120V	240V
E33.2-2"	182222-669	182212-628
E33.2B-2"	182212-670	182212-629
E33.2-3"	182212-675	182212-634
E33.2B-3"	182212-676	182212-635

PERFORMANCE CURVE

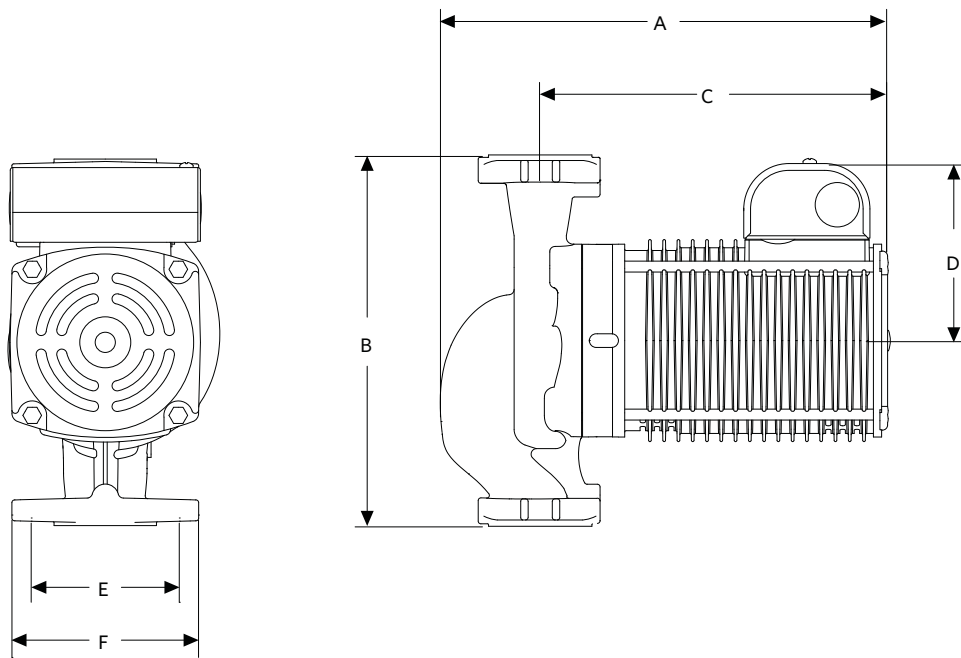


ACCESSORIES

- | | |
|------------------------------------------------------------------------------------------------------------------------------------------------------------------|------------------------------------------------------------------------------------------------------------------------------------------------------------------|
| <p>E33.2-2"/E33.2B-2"</p> <ul style="list-style-type: none"> • 2" Flange kits • Timer • Spool pieces • Aquastat | <p>E33.2-3"/E33.2B-3"</p> <ul style="list-style-type: none"> • 3" Flange kits • Timer • Spool pieces • Aquastat |
|------------------------------------------------------------------------------------------------------------------------------------------------------------------|------------------------------------------------------------------------------------------------------------------------------------------------------------------|

Performance curves are for reference only. Confirm current performance data with Armstrong ACE ONLINE selection software.

DIMENSIONS inches (mm)								SHIP. WEIGHT	
MODEL	BODY	A	B	C	D	E	F	CONNECTION TYPE & SIZE	lbs (kgs)
E33.2-2"	Cast iron	10.90 (276)	8.50 (215)	8.30 (210)	4.00 (101)	2.90 (73)	5.20 (131)	2" diameter 4-bolt flanges	17.2 (7.8)
E33.2B-2"	Bronze	10.90 (276)	8.50 (215)	8.30 (210)	4.00 (101)	2.90 (73)	5.20 (131)	2" diameter 4-bolt flanges	25.7 (11.66)
E33.2-3"	Cast iron	11.30 (286)	8.50 (215)	8.30 (210)	4.00 (101)	3.50 (89)	6.00 (152)	3" diameter 4-bolt flanges	26.8 (12.16)
E33.2B-3"	Bronze	11.30 (286)	8.50 (215)	8.30 (210)	4.00 (101)	3.50 (89)	6.00 (152)	3" diameter 4-bolt flanges	29.2 (13.24)



TORONTO
+416 755 2291

BUFFALO
+716 693 8813

BIRMINGHAM
+44 (0) 8444 145 145

MANCHESTER
+44 (0) 8444 145 145

BANGALORE
+91 (0) 80 4906 3555

SHANGHAI
+86 21 3756 6696