

E.2 SERIES CIRCULATORS

E24.2/E24.2B | SUBMITTAL

File No: 10.611
 Date: JUNE 25, 2012
 Supersedes: 10.611
 Date: MARCH 15, 2012

Job: _____ Representative: _____

Order no.: _____ Date: _____

Engineer: _____ Submitted by: _____ Date: _____

Contractor: _____ Approved by: _____ Date: _____

| QUANTITY | TAG NO. | PART NUMBER | FLOW (USgpm) | HEAD (FEET) | VOLTAGE | PHASE | COMMENTS |
|----------|---------|-------------|--------------|-------------|---------|-------|----------|
| | | | | | | | |

TECHNICAL DATA

Flow range: 0 to 105.0 USgpm (0 to 6.6 L/s)

Head range: 0 to 30.0 feet (0 to 9.1 m)

Max/Min fluid temp: 230°F/40°F (110°C/4°C)

Max. working pressure: 150 psi (1034 kPa)

MOTOR DATA

Voltage 120V 208V 240V 277V

Full load amp draw 5.0A 2.6A 2.6A 2.6A

Nominal power: 3/8 hp (300W) **Frequency:** 60 Hz

Motor type: Two pole, Single phase ODP **Speed:** 3400 rpm

MATERIALS OF CONSTRUCTION

Pump body: Cast iron (closed systems)
 Bronze (lead free for open systems)

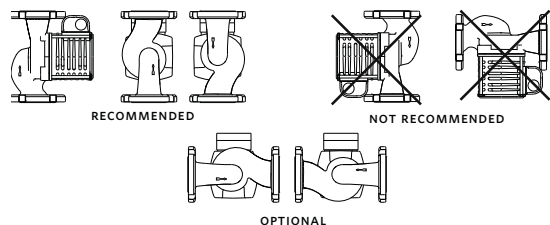
Face plate: Stainless steel **Shaft:** Stainless steel

Impeller: 30% Glass-filled noryl **Volute gasket:** EPDM

Bearings: Permanently lubricated stainless steel

Seal: Silicon carbide enviroseal c/w viton elastomer

MOUNTING ORIENTATION FOR INDOOR USE ONLY



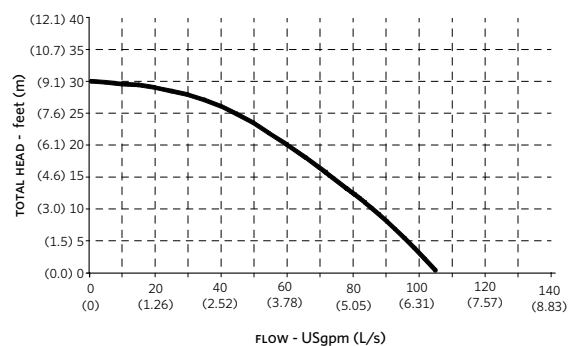
PART NUMBER

| | 120V | 240V |
|---------------|------------|------------|
| E24.2 | 182212-653 | 182212-612 |
| E24.2B | 182212-654 | 182212-613 |

E24.2/E24.2B ACCESSORIES

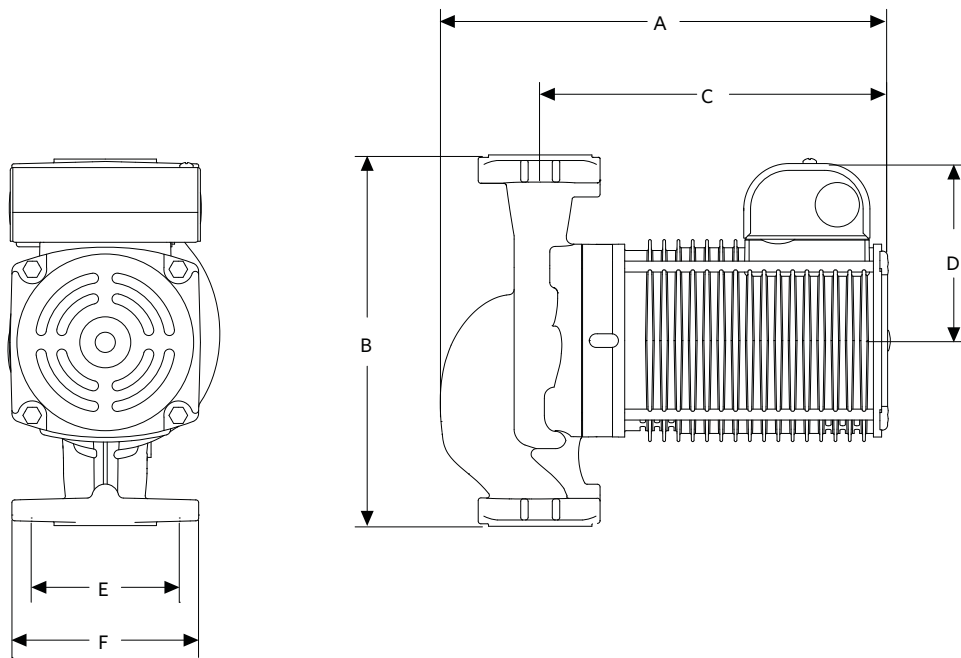
- 1" Flange kits
- 1 1/4" Flange kits
- 1 1/2" Flange kits
- Timer
- Aquastat
- Spool pieces

PERFORMANCE CURVE



Performance curves are for reference only. Confirm current performance data with Armstrong ACE ONLINE selection software.

| DIMENSIONS inches (mm) | | | | | | | | SHIP. WEIGHT | |
|------------------------|-----------|----------------|---------------|---------------|---------------|--------------|---------------|------------------------------|-------------|
| MODEL | BODY | A | B | C | D | E | F | CONNECTION TYPE & SIZE | lbs (kgs) |
| E24.2 | Cast iron | 10.30 (261) | 8.50 (215) | 8.00 (202) | 4.00 (101) | 3.40 (81) | 4.20 (107) | 1.5" diameter 2-bolt flanges | 20.7 (9.39) |
| E24.2B | Bronze | 10.30 (261) | 8.50 (215) | 8.00 (202) | 4.00 (101) | 3.40 (81) | 4.20 (107) | 1.5" diameter 2-bolt flanges | 20.9 (9.48) |



TORONTO
+416 755 2291

BUFFALO
+716 693 8813

BIRMINGHAM
+44 (0) 8444 145 145

MANCHESTER
+44 (0) 8444 145 145

BANGALORE
+91 (0) 80 4906 3555

SHANGHAI
+86 21 3756 6696