

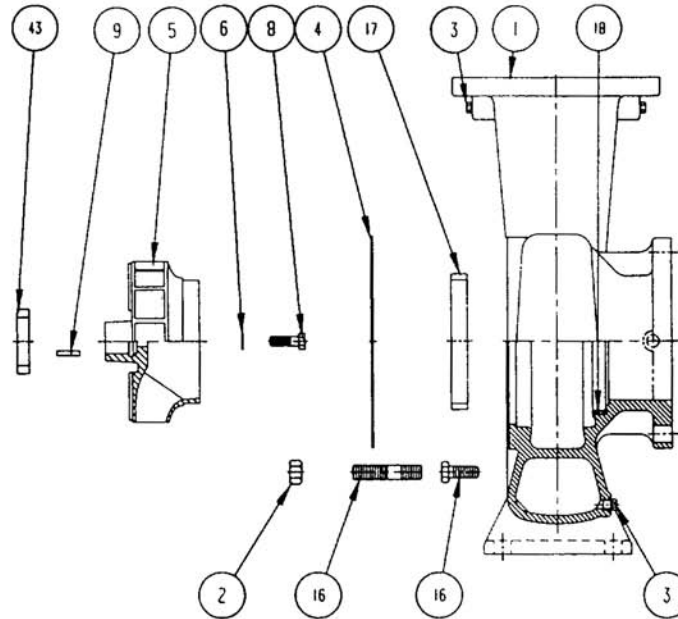
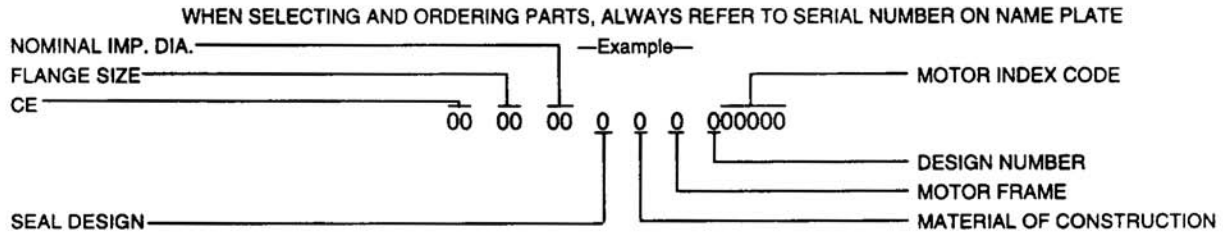


# Replacement Parts List

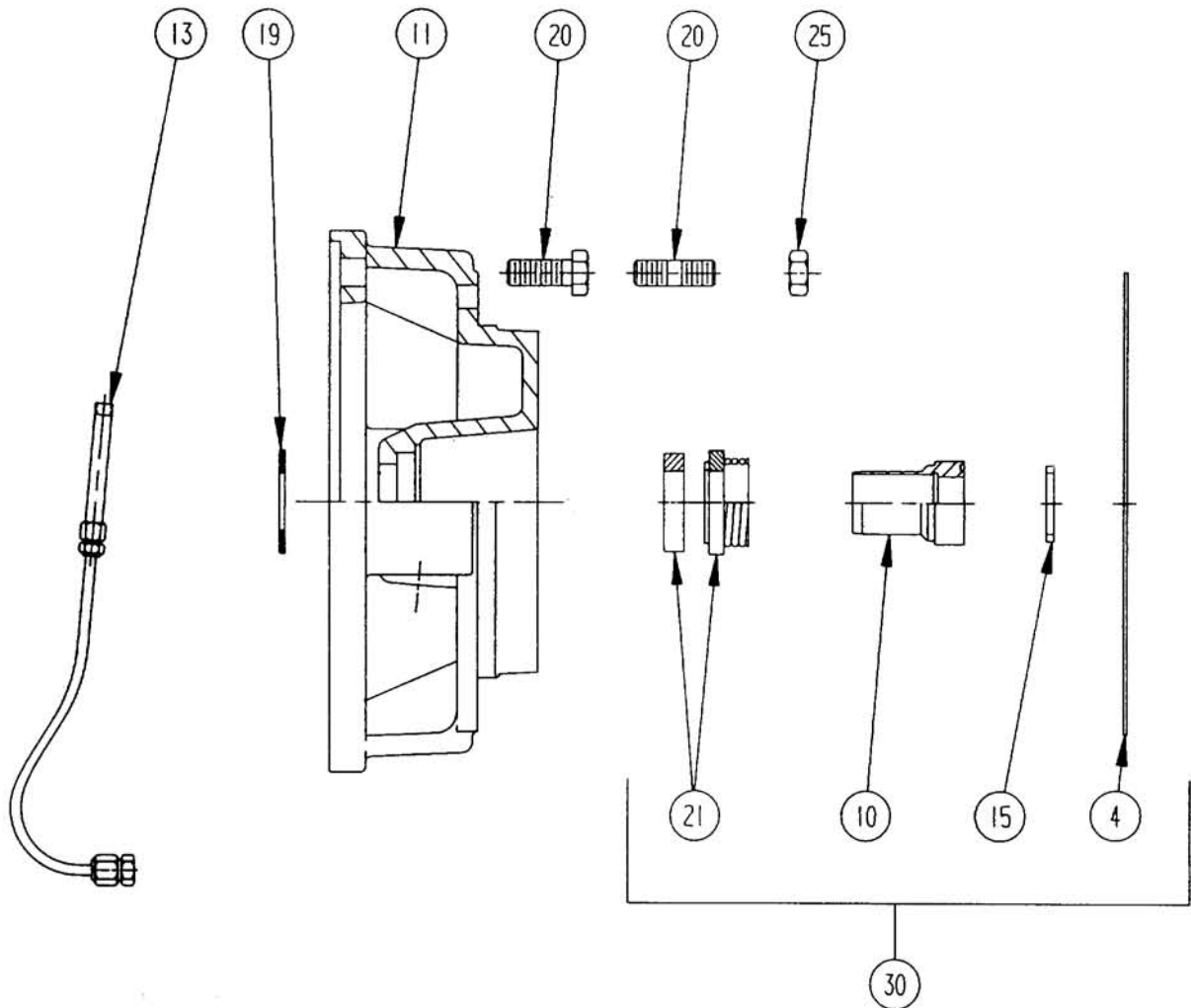
## CE 4010 & 5010

Effective: October 1, 1993

Supersedes: NEW



ITEM NO.	NO. REQ.	DESCRIPTION	4010	4010	5010	5010
			FRAME K	FRAME L or M	FRAME K	FRAME L, M or N
1	1	CASING	951-3230RP		951-3231RP	
2	12	NUT	←-----HARDWARE-----→			
3	4	PLUG	←-----HARDWARE-----→			
4	1	GASKET	←-----950-1119RP-----→			
5	1	IMPELLER (CI)	951-2416RP	951-2419RP	951-2417RP	951-2420RP
5	1	IMPELLER (BRZ)	951-2416BRP	951-2419BRP	951-2417BRP	951-2420BRP
6	1	IMPELLER WASHER	951-1278RP	951-1279RP	951-1278RP	951-1279RP
8	1	IMPELLER BOLT	←-----HARDWARE-----→			
9	1	IMPELLER KEY	←-----HARDWARE-----→			
16	12	STUD	←-----950-1159RP-----→			
17	1	WEAR RING (CI)	950-1168RP		950-1169RP	
17	1	WEAR RING (BRZ)	950-1168BRP		950-1169BRP	
18	1	DOWEL PIN	←-----N/A-----→			



**TYPE "E" STANDARD, TYPE "D" HI-TEMP**

**SEAL KIT INCLUDES ITEMS NO. 4, 6, 10, 15 & 21**

ITEM NO.	NO. REQ.	DESCRIPTION	MOTOR FRAME			
			H or J	K	L	M or N
4	1	GASKET	SEE PAGE NO. 1			
10	1	SLEEVE (SS)	951-3034RP		951-3035RP	
10	1	SLEEVE (BRZ)	951-3034BRP		951-3035BRP	
11	1	COVER/BRACKET	N/A	951-2415RP	951-2308RP	951-2418RP
13	1	TUBE FITTING KIT	951-3235RP			
15	1	SLEEVE GASKET	951-3041RP		951-3042RP	
19	1	DEFLECTOR	N/A			
21	1	SEAL (TYPE E)	951-3161RP		951-3162RP	
21	1	SEAL (TYPE D)	951-3159RP		951-3160RP	
30	1	SEAL KIT (TYPE E)	(SS)	951-3161SRP		951-3162SRP
			(BRZ)	951-3161BRP		951-3162BRP
30	1	SEAL KIT (TYPE D)	(SS)	951-3159SRP		951-3160SRP
			(BRZ)	951-3159BRP		951-3160BRP
20	4	STUD	N/A	16-509RP	N/A	16-510RP
20	4	BOLT	N/A	N/A	HARDWARE	N/A
25	4	NUT	N/A	HARDWARE	N/A	HARDWARE

**Do it Once. Do it Right.®**

TACO INC., 1160 Cranston Street, Cranston, RI 02920 Telephone: (401) 942-8000 Fax: 942-2360  
TACO (Canada), Ltd., 6180 Ordan Drive, Mississauga, Ontario L5T 2B3 Telephone: (905) 564-9422 Fax: (905) 564-9436  
Visit our website at: www.taco-hvac.com

Printed in USA  
Copyright 2007  
TACO, Inc.