

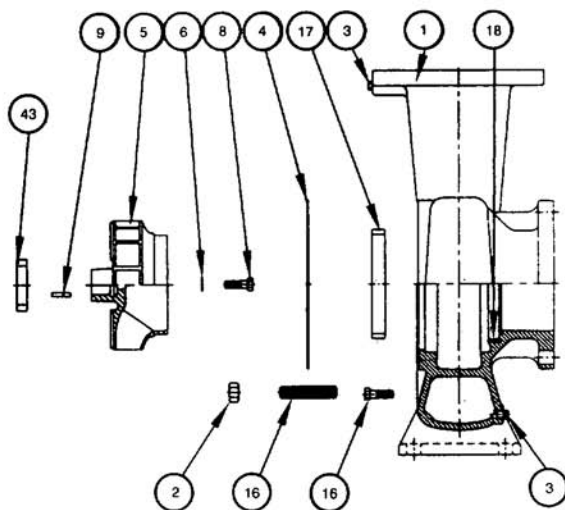
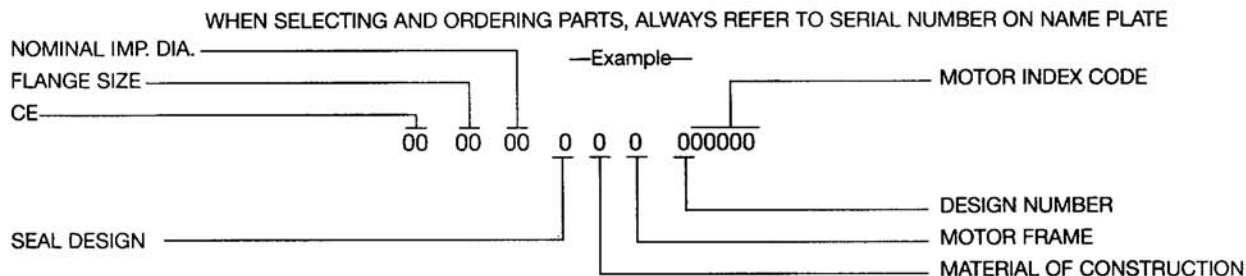


# Replacement Parts List

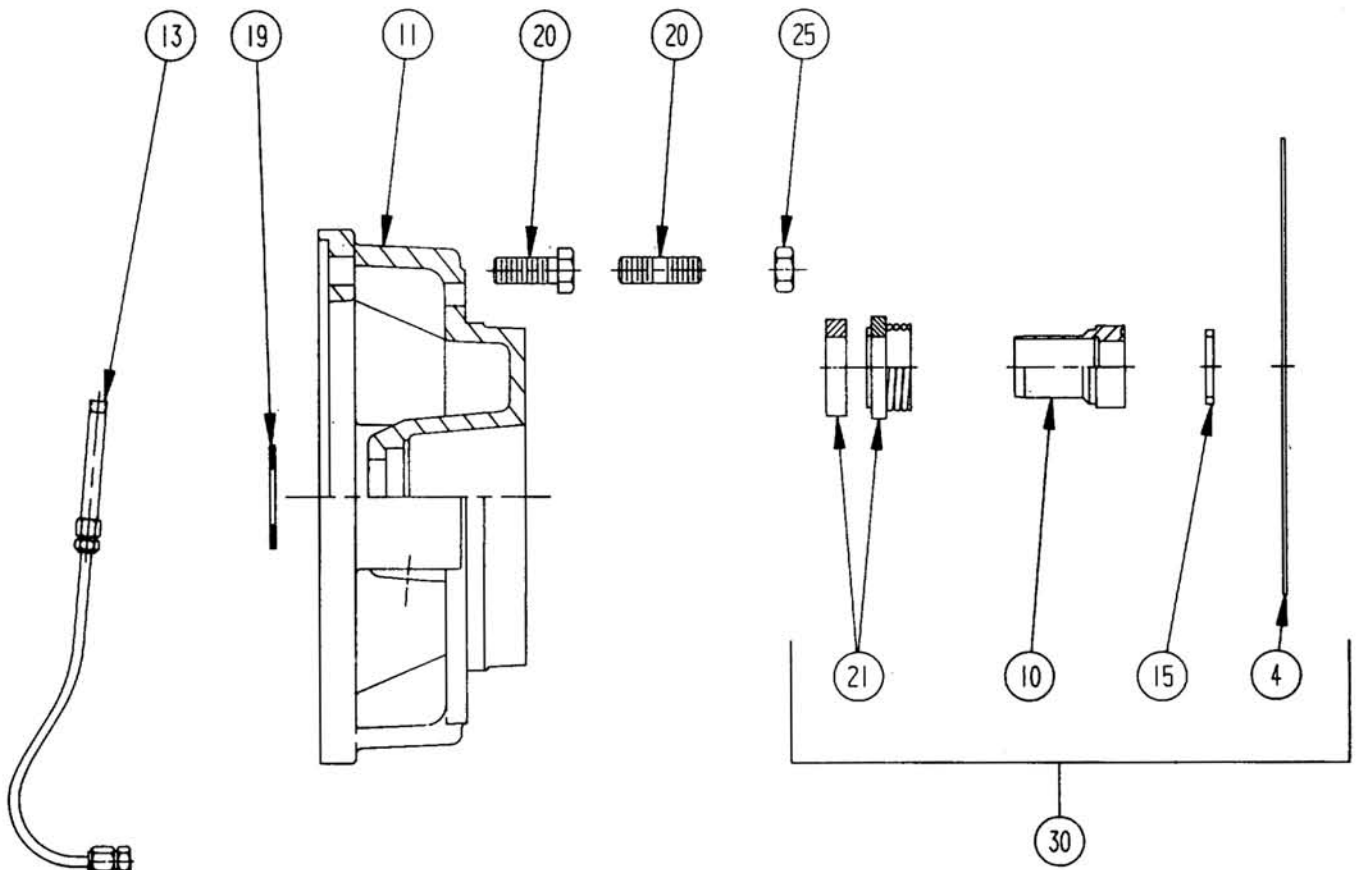
## CE 2513, 3013 & 4013

Effective: October 1, 1993

Supersedes: NEW



ITEM NO.	NO. REQ.	DESCRIPTION	2513	2513	3013	3013	4013
			FRAME K	FRAME L or M	FRAME K	FRAME L, M or N	FRAME L, M or N
1	1	CASING	950-1022RP		950-1023RP		950-1024RP
2	12	NUT	HARDWARE				
3	4	PLUG	HARDWARE				
4	1	GASKET	950-077RP				
5	1	IMPELLER (CI)	951-2423RP	950-1107RP	951-2424RP	950-1108RP	950-1109RP
5	1	IMPELLER (BRZ)	951-2423BRP	950-1107BRP	951-2424BRP	950-1108BRP	950-1109BRP
6	1	IMPELLER WASHER	951-1278RP	951-1279RP	951-1278RP	951-1279RP	951-1279RP
8	1	IMPELLER BOLT	HARDWARE				
9	1	IMPELLER KEY	HARDWARE				
16	12	STUD	950-1159RP				
17	1	WEAR RING (CI)	950-1167RP		950-1170RP		950-1168RP
17	1	WEAR RING (BRZ)	950-1167BRP		950-1170BRP		950-1168BRP
18	1	DOWEL PIN	N/A				
43	1	WEAR RING (CI)	950-1184RP		950-1185RP		950-1186RP
43	1	WEAR RING (BRZ)	950-1184BRP		950-1185BRP		950-1186BRP



**TYPE "E" STANDARD, TYPE "D" HI-TEMP  
SEAL KIT INCLUDES ITEMS NO. 4, 6, 10, 15 & 21**

ITEM NO.	NO. REQ.	DESCRIPTION	MOTOR FRAME			
			H or J	K	L	M or N
4	1	GASKET	SEE PAGE NO. 1			
10	1	SLEEVE (SS)	951-3034RP	951-3035RP		
10	1	SLEEVE (BRZ)	951-3034BRP	951-3035BRP		
11	1	COVER/BRACKET	SEE CHART BELOW			
13	1	TUBE FITTING KIT	951-3235RP			
15	1	SLEEVE GASKET	951-3041RP	951-3042RP		
19	1	DEFLECTOR	N/A			
21	1	SEAL (TYPE E)	951-3161RP	951-3162RP		
21	1	SEAL (TYPE D)	951-3159RP	951-3160RP		
30	1	SEAL KIT (TYPE E)	(SS)	951-3161SRP		951-3162SRP
	1		(BRZ)	951-3161BRP		951-3162BRP
30	1	SEAL KIT (TYPE D)	(SS)	951-3159SRP		951-3160SRP
	1		(BRZ)	951-3159BRP		951-3160BRP
20	4	STUD	N/A	N/A		16-510RP
20	4	BOLT	N/A	HARDWARE		N/A
25	4	NUT	N/A	N/A		HARDWARE
43	1	WEAR RING (CI)	SEE PAGE NO. 1			
43	1	WEAR RING (BRZ)	SEE PAGE NO. 1			

ITEM NO.	NO. REQ.	DESCRIPTION	MODEL	MOTOR FRAME		
				K	L	M or N
11	1	COVER/BRACKET (INCLUDES WEAR RING)	2513	951-2422RP	951-2314RP	951-2337RP
			3013	951-4044RP	951-4045RP	951-4046RP
			4013	N/A	951-4047RP	951-4048RP

**Do it Once. Do it Right.®**

TACO INC., 1160 Cranston Street, Cranston, RI 02920 Telephone: (401) 942-8000 Fax: 942-2360  
TACO (Canada), Ltd., 6180 Ordan Drive, Mississauga, Ontario L5T 2B3 Telephone: (905) 564-9422 Fax: (905) 564-9436  
Visit our website at: www.taco-hvac.com

Printed in USA  
Copyright 2007  
TACO, Inc.