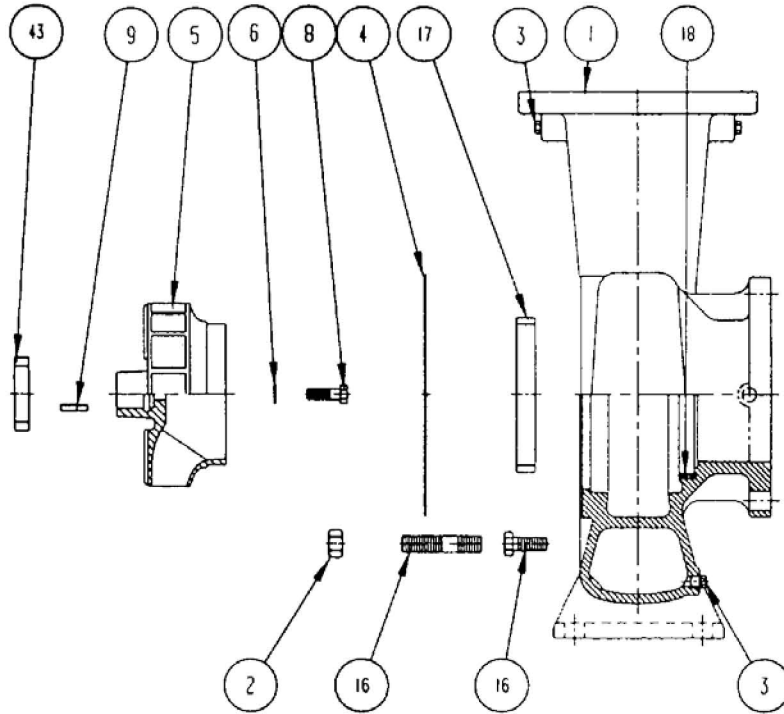
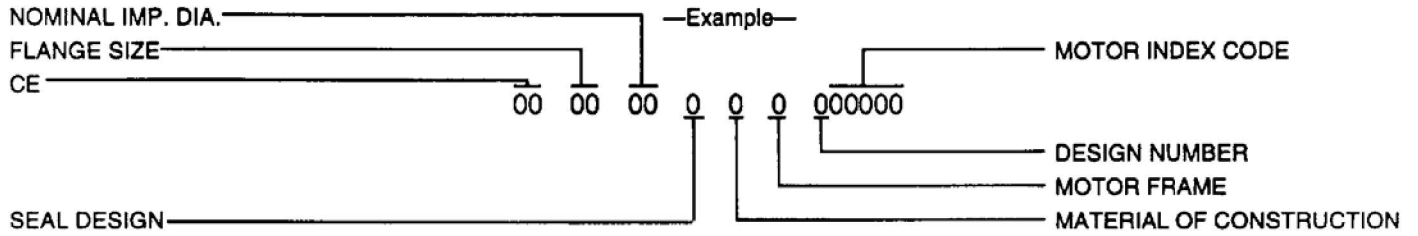
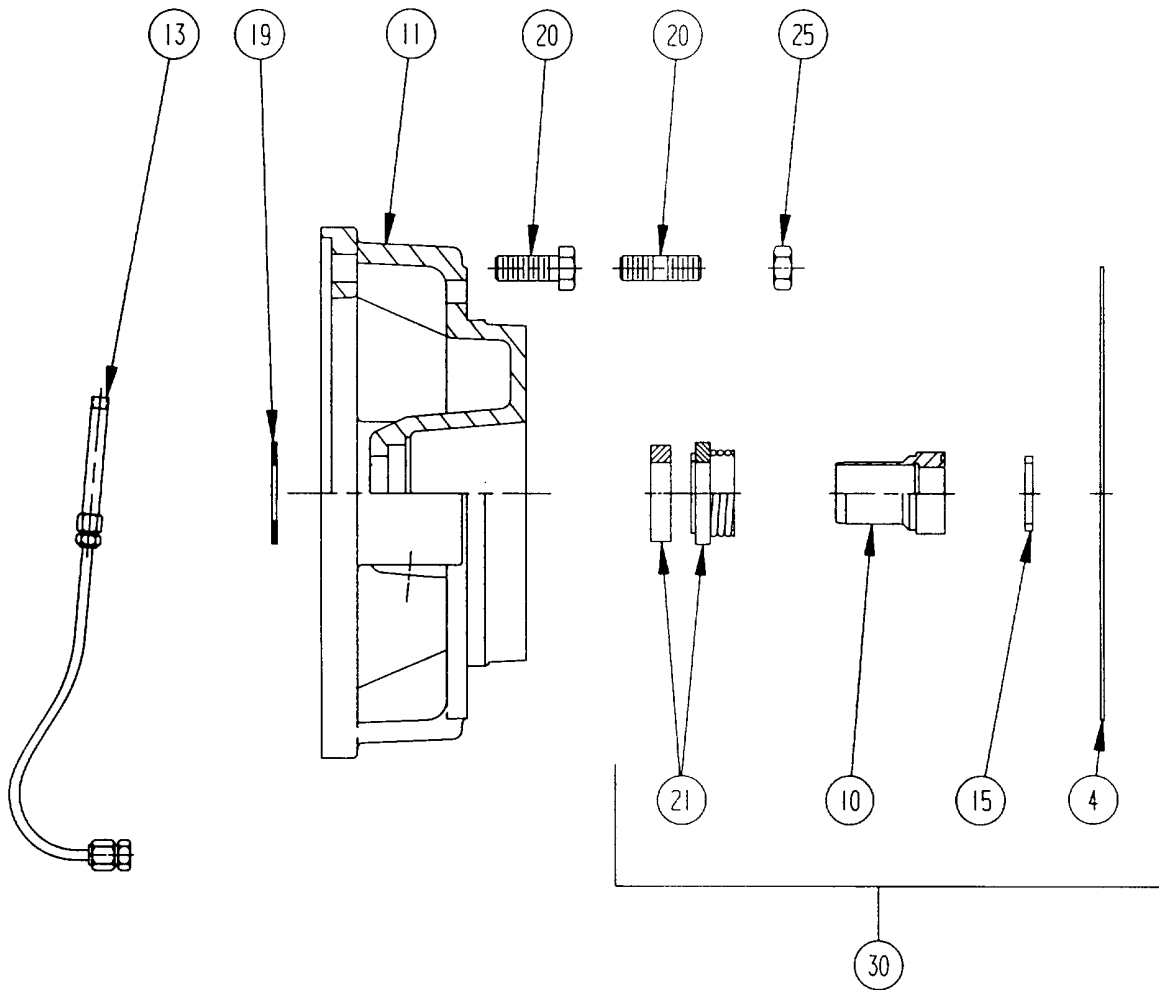


WHEN SELECTING AND ORDERING PARTS, ALWAYS REFER TO SERIAL NUMBER ON NAME PLATE



ITEM NO.	NO. REQ.	DESCRIPTION	1210	1510	2010	2510	2510	3010	3010	
			FRAME H or J	FRAME H, J or K	FRAME H, J or K	FRAME H, J or K	FRAME L	FRAME H, J or K	FRAME L or M	
1	1	CASING	950-1013RP	950-1014RP	950-1015RP	950-1018RP		950-1019RP		
2	12	NUT	-----HARDWARE-----							>
3	5	1/4" NPT PLUG	-----HARDWARE-----							>
4	1	GASKET	-----950-1119RP-----							>
5	1	IMPELLER (CI)	950-1102RP	950-1103RP	950-1104RP	951-2503RP	950-1079RP	951-2504RP	950-1080RP	
5	1	IMPELLER (BRZ)	950-1102BRP	950-1103BRP	950-1104BRP	951-2503BRP	950-1079BRP	951-2504BRP	950-1080BRP	
6	1	IMPELLER WASHER	951-1278RP	951-1278RP	951-1278RP	951-1278RP	951-1279RP	951-1278	951-1279RP	
8	1	IMPELLER BOLT	-----HARDWARE-----							>
9	1	IMPELLER KEY	-----HARDWARE-----							>
16	12	'STUD	-----950-1159RP-----							>
17	1	WEAR RING (CI)	950-1164RP	950-1165RP	950-1166RP		950-1167RP			
17	1	WEAR RING (BRZ)	950-1164BRP	950-1165BRP	950-1166BRP		950-1167BRP			
18	1	DOWEL PIN	-----N/A-----							>



TYPE "E" STANDARD, TYPE "D" HI-TEMP

SEAL KIT INCLUDES ITEMS NO. 4, 6, 10, 15 & 21

ITEM NO.	NO. REQ.	DESCRIPTION	MOTOR FRAME			
			H or J	K	L	M or N
4	1	GASKET	SEE PAGE NO. 1			
10	1	SLEEVE (SS)	951-3034RP		951-3035RP	
10	1	SLEEVE (BRZ)	951-3034BRP		951-3035BRP	
11	1	COVER/BACKET	951-2293RP	951-2301RP	951-2304RP	951-2306RP
13	1	TUBE FITTING KIT	951-3235RP			
15	1	SLEEVE GASKET	951-3041RP		951-3042RP	
19	1	DEFLECTOR	N/A			
21	1	SEAL (TYPE E)	951-3161RP		951-3162RP	
21	1	SEAL (TYPE D)	951-3159RP		951-3160RP	
30	1	SEAL KIT (TYPE E)	(SS)	951-3161SRP		951-3162SRP
			(BRZ)	951-3161BRP		951-3162BRP
30	1	SEAL KIT (TYPE D)	(SS)	951-3159SRP		951-3160SRP
			(BRZ)	951-3159BRP		951-3160BRP
20	4	STUD	N/A	16-509RP	N/A	16-510RP
20	4	BOLT	HARDWARE	N/A	HARDWARE	N/A
25	4	NUT	N/A	HARDWARE	N/A	HARDWARE

Do it Once. Do it Right.®

TACO INC., 1160 Cranston Street, Cranston, RI 02920 Telephone: (401) 942-8000 Fax: 942-2360
TACO (Canada), Ltd., 6180 Ordan Drive, Mississauga, Ontario L5T 2B3 Telephone: (905) 564-9422 Fax: (905) 564-9436
Visit our website at: www.taco-hvac.com

Printed in USA
Copyright 2007
TACO, Inc.