

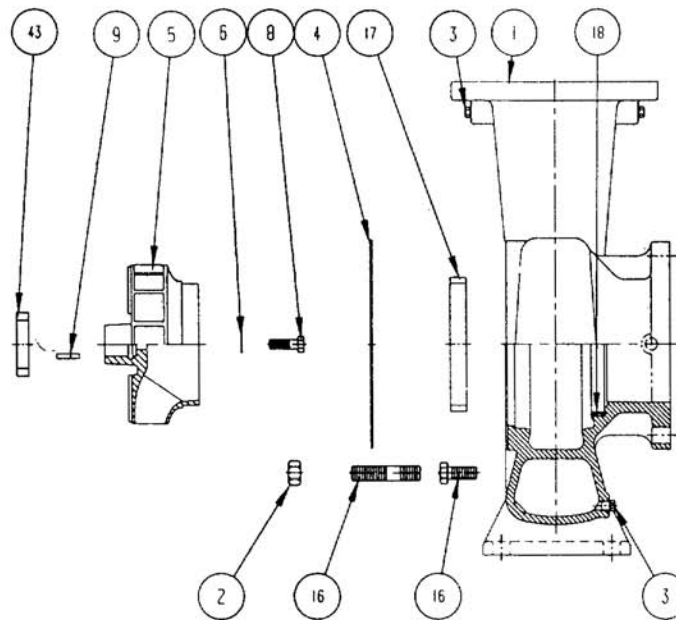
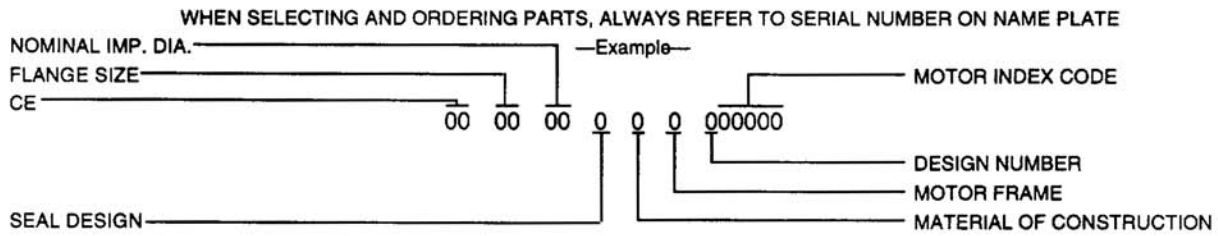


Replacement Parts List

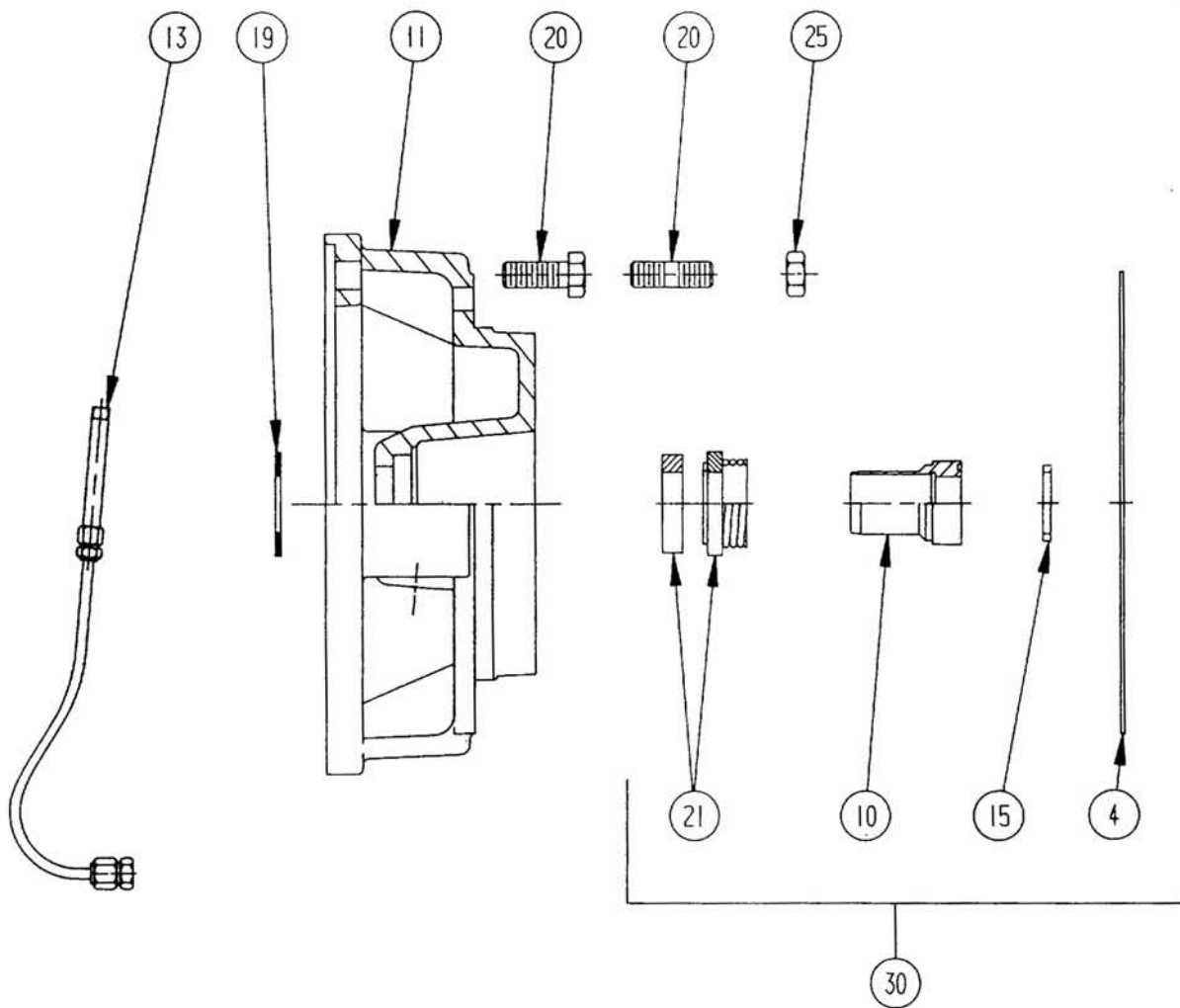
CE 1207, 1507 & 2007

Effective: October 1, 1993

Supersedes: NEW



ITEM NO.	NO. REQ.	DESCRIPTION	1207	1507	1507	2007	2007
			FRAME H, J or K	FRAME H, J or K	FRAME L	FRAME H, J or K	FRAME L, M or N
1	1	CASING	950-1004RP	950-1005RP		950-1006RP	
2	8	NUT	<-----HARDWARE----->				
3	4	PLUG	<-----HARDWARE----->				
4	1	GASKET	<-----950-022RP----->				
5	1	IMPELLER (CI)	950-1065RP	950-1066RP	950-1094RP	950-1067RP	950-1095RP
5	1	IMPELLER (BRZ)	950-1065BRP	950-1066BRP	950-1094BRP	950-1067BRP	950-1095BRP
6	1	IMPELLER WASHER	951-1278RP		951-1279RP	951-1278RP	951-1279RP
8	1	IMPELLER BOLT	<-----HARDWARE----->				
9	1	IMPELLER KEY	<-----HARDWARE----->				
16	8	STUD	<-----950-1158RP----->				
17	1	WEAR RING (CI)	950-1163RP	950-1164RP		950-1165RP	
17	1	WEAR RING (BRZ)	950-1163BRP	950-1164BRP		950-1165BRP	
18	1	DOWEL PIN	<-----N/A----->				



TYPE "E" STANDARD, TYPE "D" HI-TEMP

SEAL KIT INCLUDES ITEMS NO. 4, 6, 10, 15 & 21

ITEM NO.	NO. REQ.	DESCRIPTION	MOTOR FRAME			
			H or J	K	L	M or N
4	1	GASKET	SEE PAGE NO. 1			
10	1	SLEEVE (SS)	951-3034RP		951-3035RP	
10	1	SLEEVE (BRZ)	951-3034BRP		951-3035BRP	
11	1	COVER/BACKET	951-2278RP	951-2280RP	951-2282RP	951-2283RP
13	1	TUBE FITTING KIT	951-3235RP			
15	1	SLEEVE GASKET	951-3041RP		951-3042RP	
19	1	DEFLECTOR	N/A			
21	1	SEAL (TYPE E)	951-3161RP		951-3162RP	
21	1	SEAL (TYPE D)	951-3159RP		951-3160RP	
30	1	SEAL KIT (TYPE E)	(SS)	951-3161SRP		951-3162SRP
			(BRZ)	951-3161BRP		951-3162BRP
30	1	SEAL KIT (TYPE D)	(SS)	951-3159SRP		951-3160SRP
			(BRZ)	951-3159BRP		951-3160BRP
20	4	STUD	N/A			
20	4	BOLT	HARDWARE			
25	4	NUT	N/A			

Do it Once. Do it Right.®

TACO INC., 1160 Cranston Street, Cranston, RI 02920 Telephone: (401) 942-8000 Fax: 942-2360
 TACO (Canada), Ltd., 6180 Ordan Drive, Mississauga, Ontario L5T 2B3 Telephone: (905) 564-9422 Fax: (905) 564-9436
 Visit our website at: www.taco-hvac.com

Printed in USA
 Copyright 2007
 TACO, Inc.