

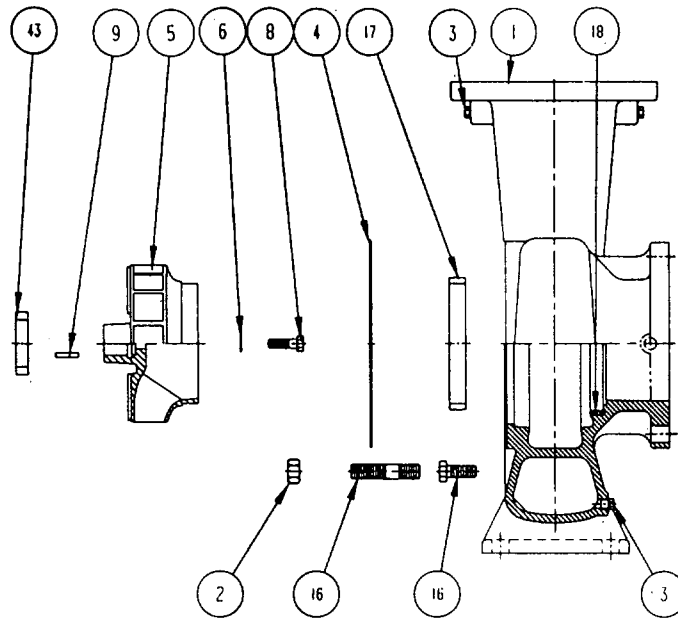
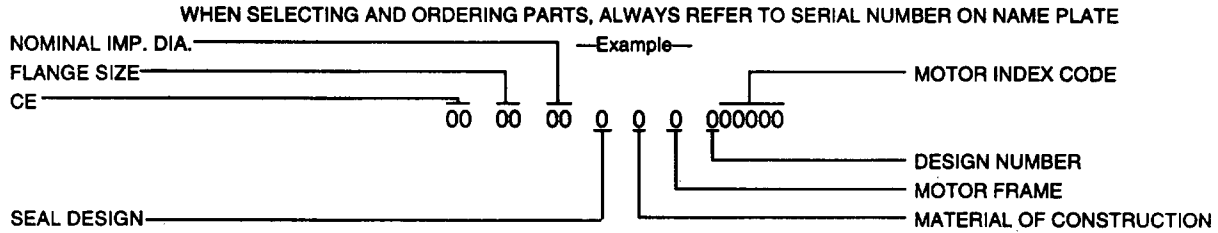


Replacement Parts List

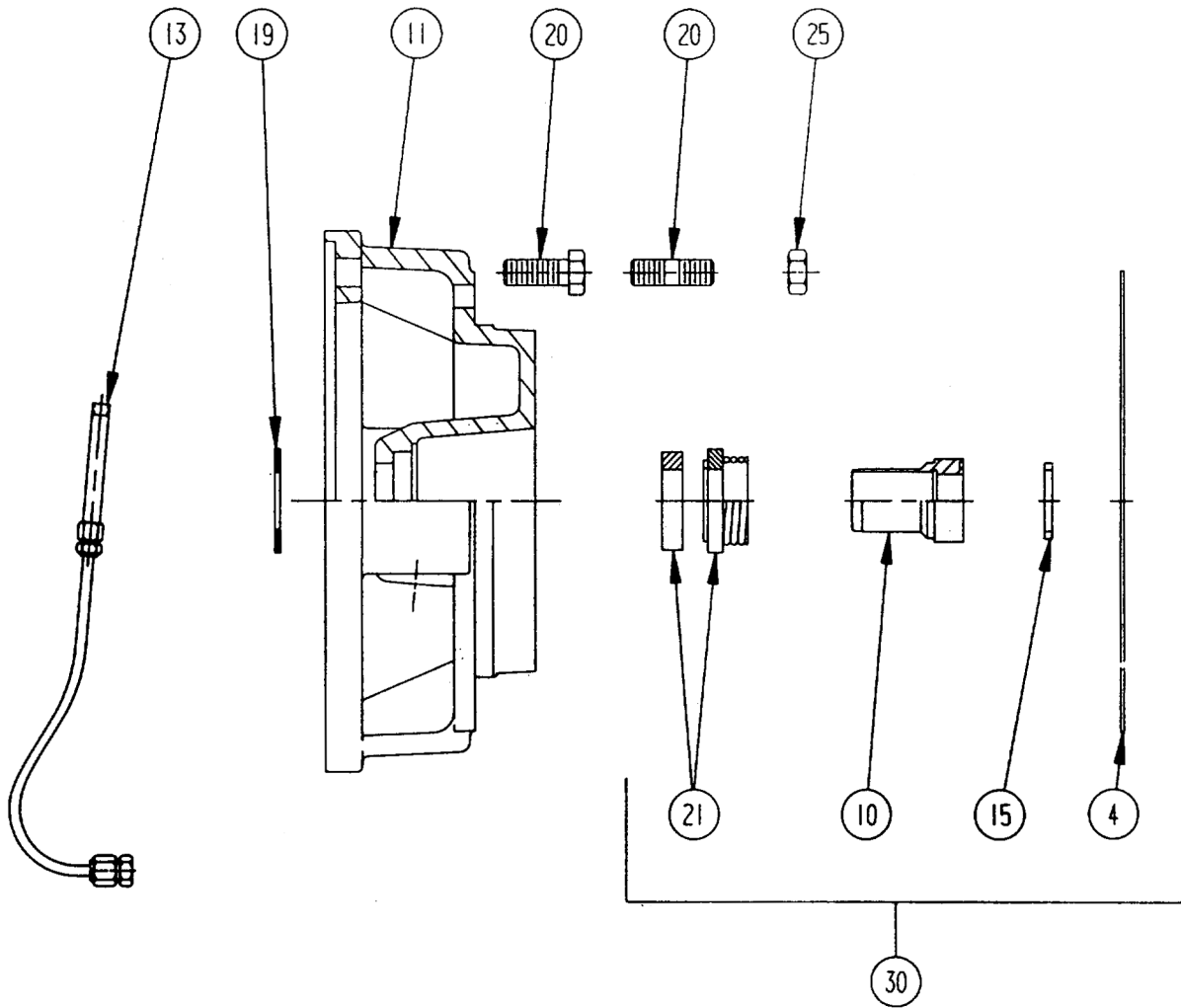
CE 1206, 1506, 2006 & 2506

Effective: October 1, 1993

Supersedes: NEW



ITEM NO.	NO. REQ.	DESCRIPTION	1206	1506	2006	2506	2506	
			FRAME H or J	FRAME H, J or K	FRAME H, J or K	FRAME H, J or K	FRAME L	
1	1	CASING	951-3222RP	951-3223RP	951-3224RP	951-3225RP		
2	8	NUT	←-----HARDWARE-----→					
3	4	PLUG	←-----HARDWARE-----→					
4	1	GASKET	←-----950-021RP-----→					
5	1	IMPELLER (CI)	950-1061RP	950-1062RP	950-1063RP	950-1064RP	950-1092RP	
5	1	IMPELLER (BRZ)	950-1061BRP	950-1062BRP	950-1063BRP	950-1064BRP	950-1092BRP	
6	1	IMPELLER WASHER	951-1278RP					951-1279RP
8	1	IMPELLER BOLT	←-----HARDWARE-----→					
9	1	IMPELLER KEY	←-----HARDWARE-----→					
16	8	STUD	←-----16-508RP-----→					
17	1	WEAR RING (CI)	950-1163RP	950-1164RP	950-1165RP	950-1166RP		
17	1	WEAR RING (BRZ)	950-1163BRP	950-1164BRP	950-1165BRP	950-1166BRP		
18	1	DOWEL PIN	←-----N/A-----→					



TYPE "E" STANDARD, TYPE "D" HI-TEMP

SEAL KIT INCLUDES ITEMS NO. 4, 6, 10, 15 & 21

ITEM NO.	NO. REQ.	DESCRIPTION	MOTOR FRAME			
			H or J	K	L	
4	1	GASKET	SEE PAGE NO. 1			
10	1	SLEEVE (SS)	951-3034RP		951-3035RP	
10	1	SLEEVE (BRZ)	951-3034BRP		951-3035BRP	
11	1	COVER/BRACKET	951-2277RP	951-2279RP	951-2281RP	
13	1	TUBE FITTING KIT	951-3235RP			
15	1	SLEEVE GASKET	951-3041RP		951-3042RP	
19	1	DEFLECTOR	N/A			
21	1	SEAL (TYPE E)	951-3161RP		951-3162RP	
21	1	SEAL (TYPE D)	951-3159RP		951-3160RP	
30	1	SEAL KIT (TYPE E)	(SS)	951-3161SRP		951-3162SRP
			(BRZ)	951-3161BRP		951-3162BRP
30	1	SEAL KIT (TYPE D)	(SS)	951-3159SRP		951-3160SRP
			(BRZ)	951-3159BRP		951-3160BRP
20	4	STUD	N/A	16-509RP	N/A	
20	4	BOLT	HARDWARE	N/A	HARDWARE	
25	4	NUT	N/A	HARDWARE	N/A	

Do it Once. Do it Right.®

TACO INC., 1160 Cranston Street, Cranston, RI 02920 Telephone: (401) 942-8000 Fax: 942-2360
TACO (Canada), Ltd., 6180 Ordan Drive, Mississauga, Ontario L5T 2B3 Telephone: (905) 564-9422 Fax: (905) 564-9436
Visit our website at: www.taco-hvac.com

Printed in USA
Copyright 2007
TACO, Inc.