

BERKELEY® C1-1/2TPHS

Cast Iron Impeller

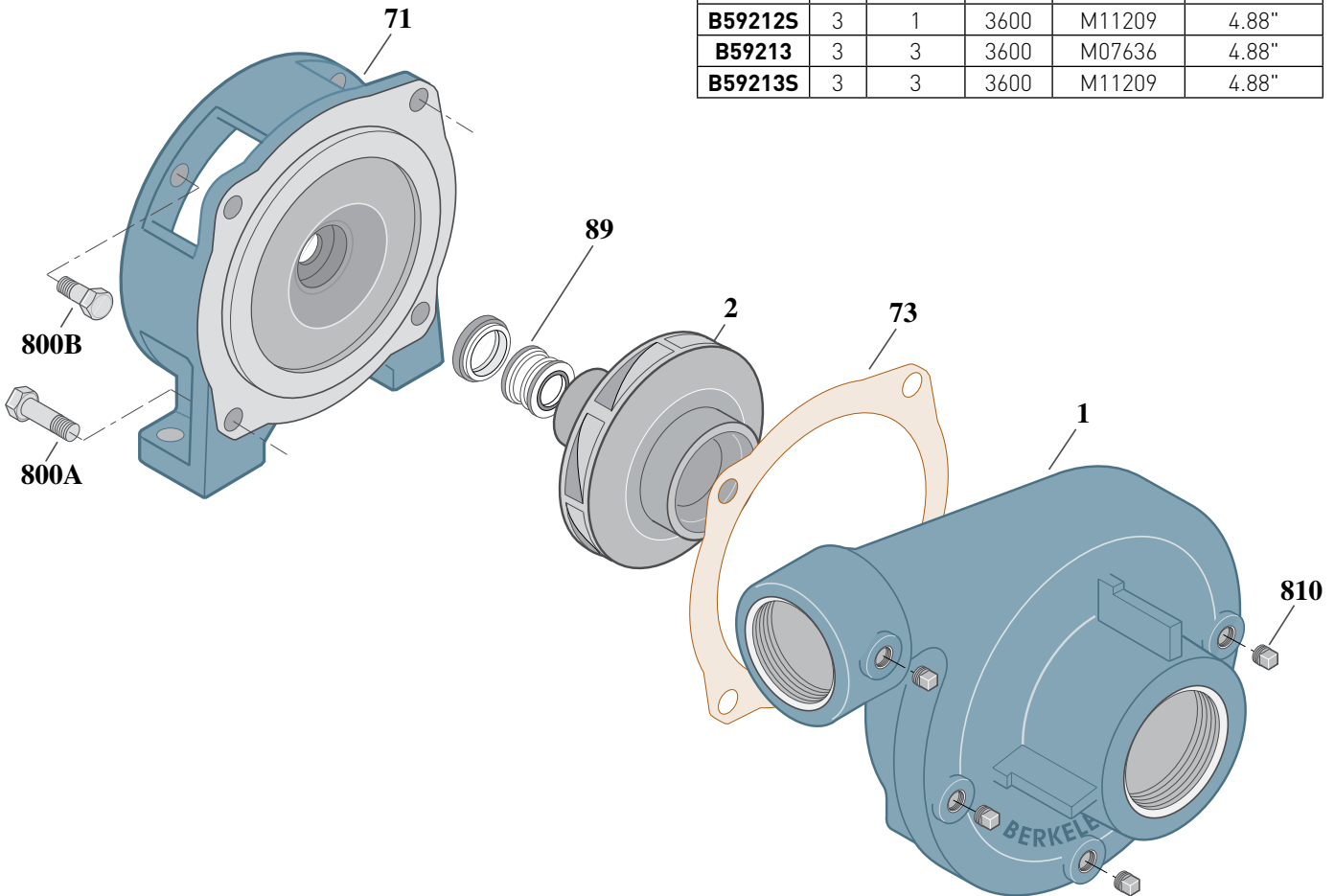
Threaded Case (NPT), Mechanical Seal Construction

ELECTRIC MOTOR DRIVE

Section	CC/C
Page	20.1
Date	March 4, 2013
Supersedes 01/01/04	

Table I

B/M No.	HP	Phase	RPM	Impeller	Imp. Dia.
B59212	3	1	3600	M07636	4.88"
B59212S	3	1	3600	M11209	4.88"
B59213	3	3	3600	M07636	4.88"
B59213S	3	3	3600	M11209	4.88"



2520 0696

Item No.	Part Description	Part Number
1	Case, Volute	L01848
2	Impeller	See Table I
71	Bracket	L02866
73	Gasket, Case	S07445
89	Seal, Mechanical Shaft	S08019
800A	Capscrew, 5/16 - 18 x 7/8" [4 Req.]	S26783
800B	Capscrew, 3/8 - 16 x 7/8" [4 Req.]	S26825
810	Plug, Pipe 1/8 NPT [4 Req.]	S23714

