

BERKELEY® B8JPBH

Cast Iron Impeller

Flanged Case, Packing Construction

ELECTRIC MOTOR DRIVE

Section	CC
Page	422.1.1
Date	March 4, 2013
Supersedes 06/01/11	

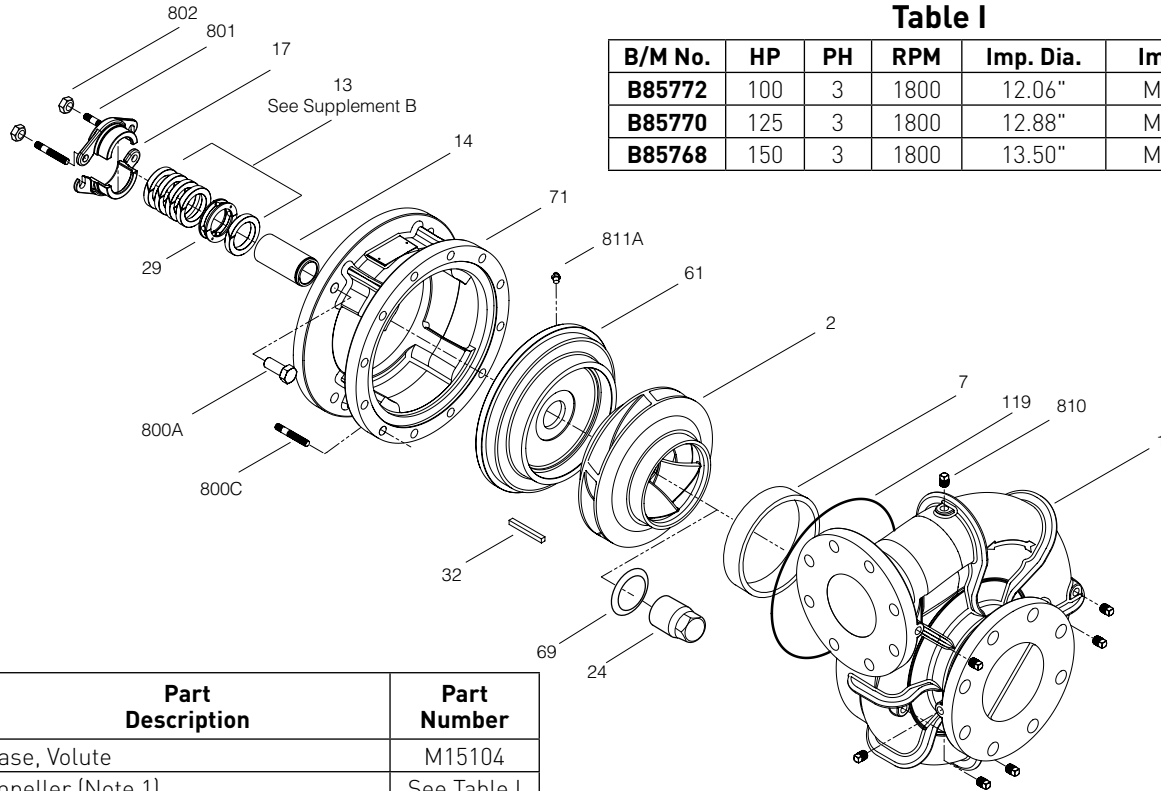


Table I

B/M No.	HP	PH	RPM	Imp. Dia.	Imp. No.
B85772	100	3	1800	12.06"	M15646
B85770	125	3	1800	12.88"	M15191
B85768	150	3	1800	13.50"	M15106

Item No.	Part Description	Part Number
1	Case, Volute	M15104
2	Impeller [Note 1]	See Table I
7	Ring, Wearing	M15126
13	Rings, Packing [Set of 6]	S16448
14	Sleeve, Shaft [Note 2]	S29517L
17	Gland, Packing [2 rqd]	M05311
24	Locknut, Impeller	S07829
29	Ring, Lantern	S14330
32	Key, Impeller 1/2 x 2-3/8" 150HP	M15123
32A	Key, Impeller 3/8 x 2" 100 & 125HP	M15124
61	Plate, Seal	M15111
69	Washer, Impeller	M15232
71	Bracket	See Table II
119	O-Ring	M15130
800A	Capscrew, 5/8 - 11 x 1-1/2" [8 rqd]	S28427
800C	Stud [12 rqd]	M15388
801	Stud, 1/2 - 13 x 2-1/2" [2 rqd]	S24358
*	Nut, Hex [12 rqd]	S23109
802	Nut, Hex, Lock, 1/2 - 13 [2 rqd]	S23347
810	Plug, Pipe [7 rqd]	S23717
811A	Fitting, Grease	S23700
*	Slinger, Water	M15129

Table II

HP	PH	Bracket No.	"AK" Fit	"U" Dim.	Motor Frame
100	3	M15114	12.5"	1.625"	404TCZ
125	3	M15114	12.5"	1.625"	405TCZ
150	3	M15113	16.0"	2.1875"	444TY

NOTE 1: Impeller kit **B85813** includes items 2, 24, 32, 69, 119. Impeller (Ref. 2) is full diameter.

NOTE 2: Shaft sleeve kit **B85812** includes items 14, 24, 32, 69, 119, adhesive and instruction sheet.

* Not illustrated.



BERKELEY® B8JPBH

Cast Iron Impeller

Flanged Case, Packing Construction

ELECTRIC MOTOR DRIVE

Section	CC
Page	422.1.2
Date	March 4, 2013
Supersedes 06/01/11	

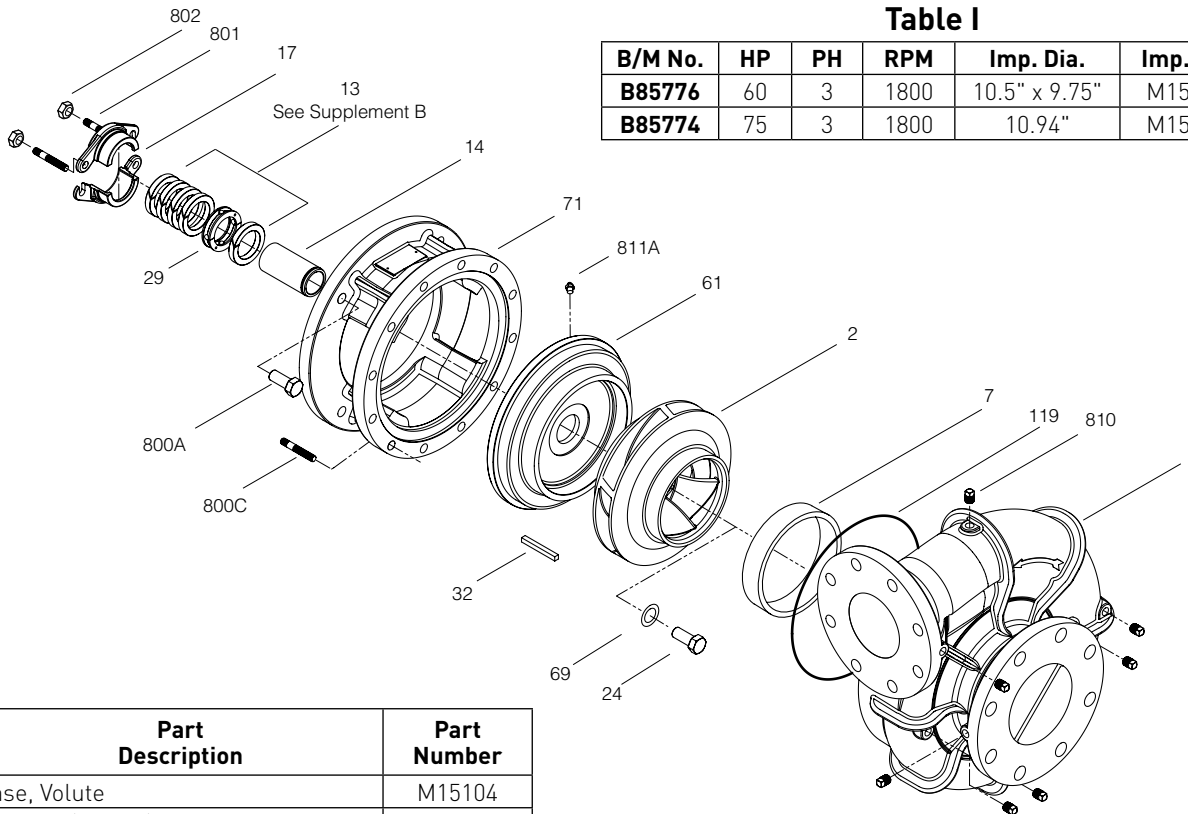


Table I

B/M No.	HP	PH	RPM	Imp. Dia.	Imp. No.
B85776	60	3	1800	10.5" x 9.75"	M15648
B85774	75	3	1800	10.94"	M15647

Item No.	Part Description	Part Number
1	Case, Volute	M15104
2	Impeller (Note 1)	See Table I
7	Ring, Wearing	M15126
13	Rings, Packing (Set of 5)	S13437
14	Sleeve, Shaft (Note 2)	M15120
17	Gland, Packing (2 rqd)	M13598
24	Capscrew, Impeller	S23623
29	Ring, Lantern	S19198
32	Key, Impeller 3/8 x 3/8 x 2"	M15124
61	Plate, Seal	M15112
69	Washer, Impeller	M15231
71	Bracket	See Table II
119	O-Ring	M15130
800A	Capscrew, 5/8 - 11 x 1-1/2" (8 rqd)	S28427
800C	Stud (12 rqd)	M15388
801	Stud, 3/8 - 16 x 2" (2 rqd)	S24335
*	Nut, Hex (12 rqd)	S23109
802	Nut, Hex, Lock, 3/8 - 16 (2 rqd)	S23343
810	Plug, Pipe	S23717
811A	Fitting, Grease	S23700
*	Slinger, Water	M15128

6420 0511

Table II

HP	PH	Bracket No.	"AK" Fit	"U" Dim.	Motor Frame
60	3	M15114	12.5"	1.625"	364JP
75	3	M15114	12.5"	1.625"	365TCZ

NOTE 1: Impeller kit **B85823** includes items 2, 24, 32, 69, 119. Impeller (Ref. 2) is full diameter.

NOTE 2: Shaft sleeve kit **B85815** includes items 14, 24, 32, 69, 119, adhesive and instruction sheet.

* Not illustrated.



BERKELEY® B8JPBHS

Cast Iron Impeller

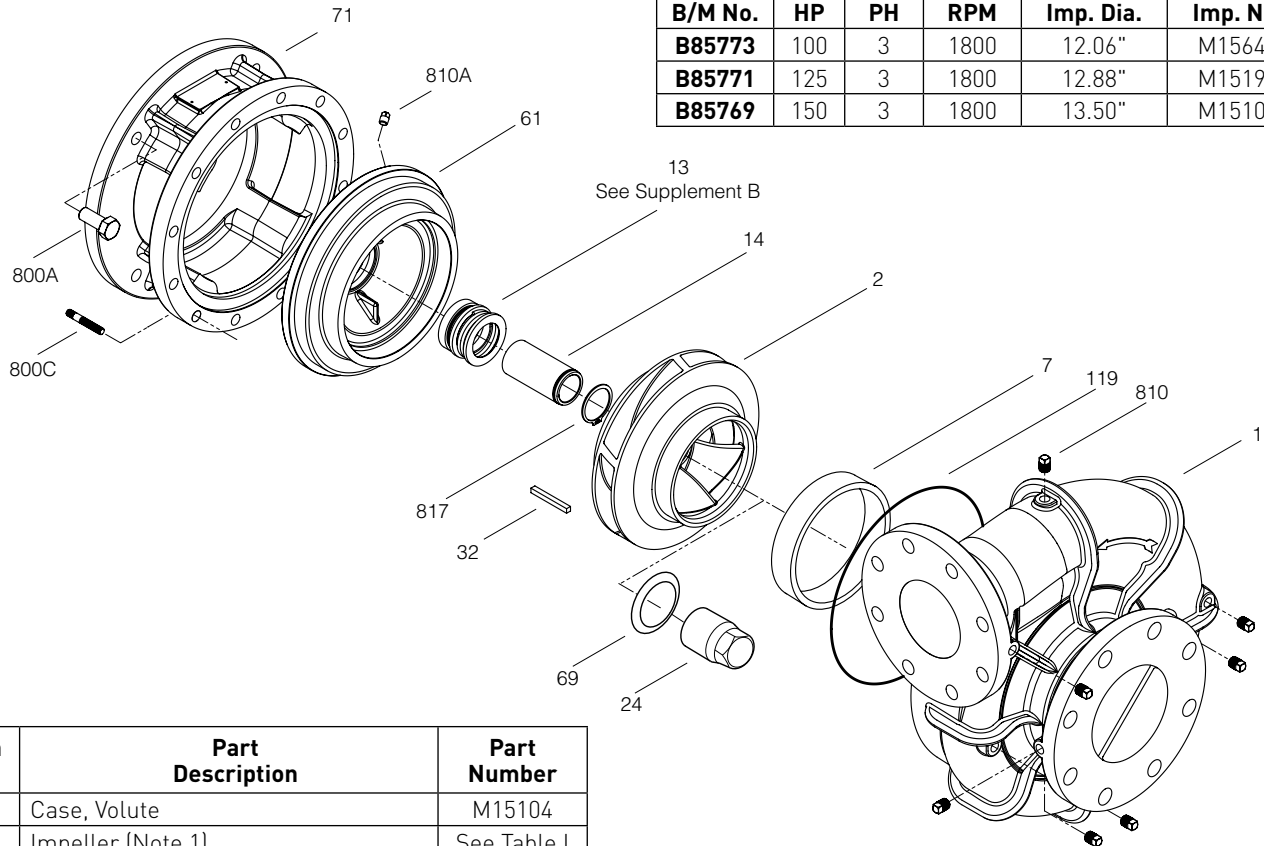
Flanged Case, Mechanical Shaft Seal Construction

ELECTRIC MOTOR DRIVE

Section	CC
Page	422.2.1
Date	March 4, 2013
Supersedes 06/01/11	

Table I

B/M No.	HP	PH	RPM	Imp. Dia.	Imp. No.
B85773	100	3	1800	12.06"	M15646
B85771	125	3	1800	12.88"	M15191
B85769	150	3	1800	13.50"	M15106



Item No.	Part Description	Part Number
1	Case, Volute	M15104
2	Impeller (Note 1)	See Table I
7	Ring, Wearing	M15126
13	Seal, Shaft	S32697
14	Sleeve, Shaft (Note 2)	S29517L
24	Locknut, Impeller	S07829
32	Key, Impeller 1/2 x 2-3/8" 150HP	M15123
32A	Key, Impeller 3/8 x 2" 100 & 125HP	M15124
61	Plate, Seal	M15108
69	Washer, Impeller	M15232
71	Bracket	See Table II
119	O-Ring	M15130
800A	Screw, 5/8 - 11 x 1-3/4" (8 rqd.)	S28427
800C	Stud (12 rqd)	M15388
*	Nut, Hex (12 rqd)	S23109
810	Plug, Pipe 1/2 NPT (7 rqd)	S23717
810A	Plug, Pipe	S23714
817	Ring, Retaining	S29519
*	Slinger, Water	M15129

Table II

HP	PH	Bracket No.	"AK" Fit	"U" Dim.	Motor Frame
100	3	M15114	12.5"	1.625"	404TCZ
125	3	M15114	12.5"	1.625"	405TCZ
150	3	M15113	16.0"	2.1875"	444TCY

NOTE 1: Impeller kit **B85813** includes items 2, 24, 32, 69, 119. Impeller (Ref. 2) is full diameter.

NOTE 2: Shaft sleeve kit **B85812** includes items 14, 24, 32, 69, 119, adhesive and instruction sheet.

* Not illustrated.



BERKELEY® B8JPBHS

Cast Iron Impeller

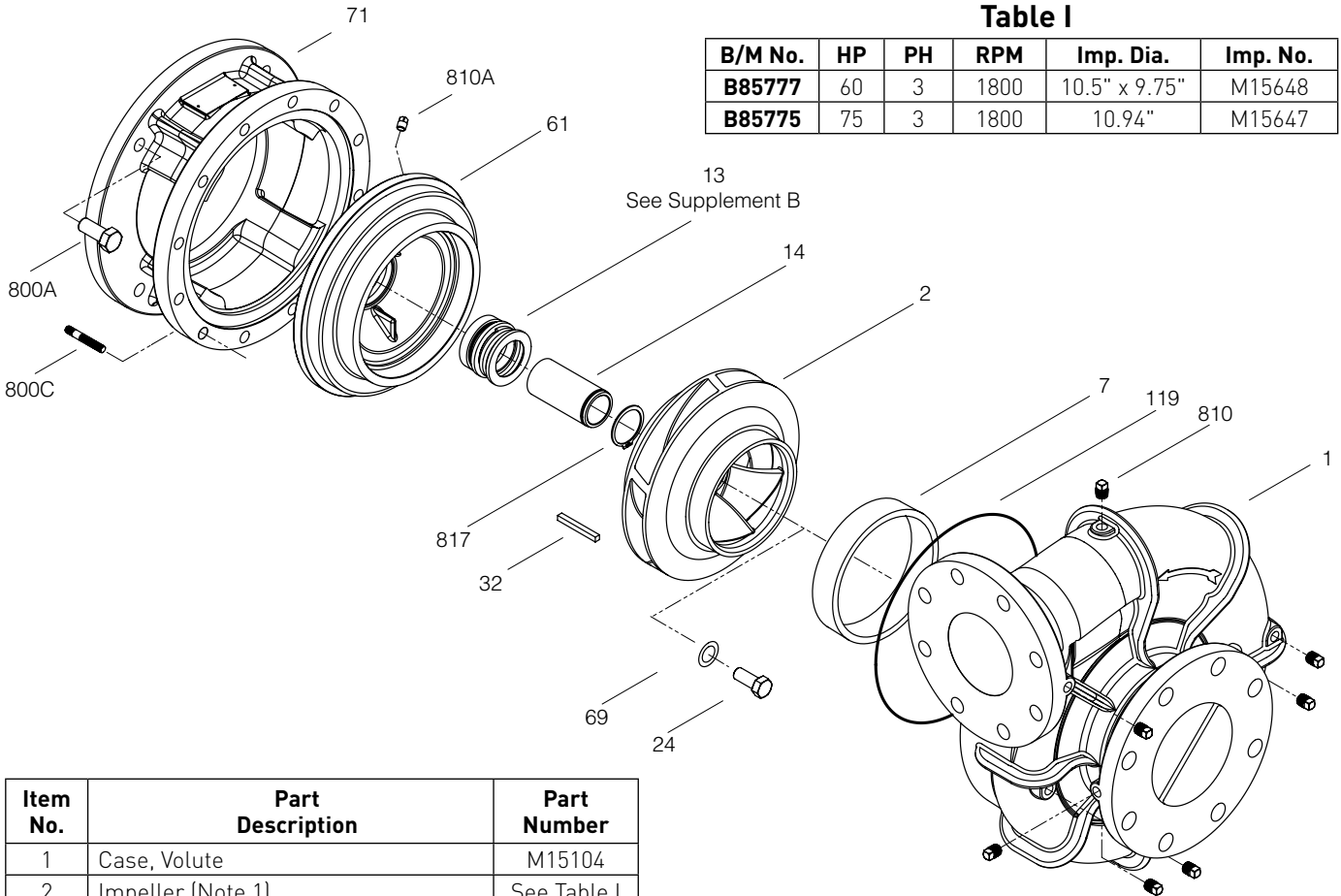
Flanged Case, Mechanical Shaft Seal Construction

ELECTRIC MOTOR DRIVE

Section	CC
Page	422.2.2
Date	March 4, 2013
Supersedes 06/01/11	

Table I

B/M No.	HP	PH	RPM	Imp. Dia.	Imp. No.
B85777	60	3	1800	10.5" x 9.75"	M15648
B85775	75	3	1800	10.94"	M15647



6421 0511

Item No.	Part Description	Part Number
1	Case, Volute	M15104
2	Impeller (Note 1)	See Table I
7	Ring, Wearing	M15126
13	Seal, Shaft	S32016
14	Sleeve, Shaft (Note 2)	M15120
24	Capscrew, Impeller	S23623
32	Key, 3/8 x 2-3/8"	M15124
61	Plate, Seal	M15109
69	Washer, Impeller	M15231
71	Bracket	See Table II
119	O-Ring	M15130
800A	Capscrew, 5/8 - 11 x 1-1/2" (8 reqd.)	S28427
800C	Stud (12 reqd)	M15388
*	Nut, Hex (12 reqd)	S23109
810	Plug, Pipe 1/2 NPT	S23717
810A	Plug, Pipe	S23714
817	Ring, Retaining	M15131
*	Slinger, Water	M15128

Table II

HP	PH	Bracket No.	"AK" Fit	"U" Dim.	Motor Frame
60	3	M15114	12.5"	1.625"	364JP
75	3	M15114	12.5"	1.625"	365TCZ

NOTE 1: Impeller kit **B85823** includes items 2, 24, 32, 69, 119. Impeller (Ref. 2) is full diameter.

NOTE 2: Shaft sleeve kit **B85815** includes items 14, 24, 32, 69, 119, adhesive and instruction sheet.

* Not illustrated.

