

BERKELEY® B6ZQL

Cast Iron Impeller

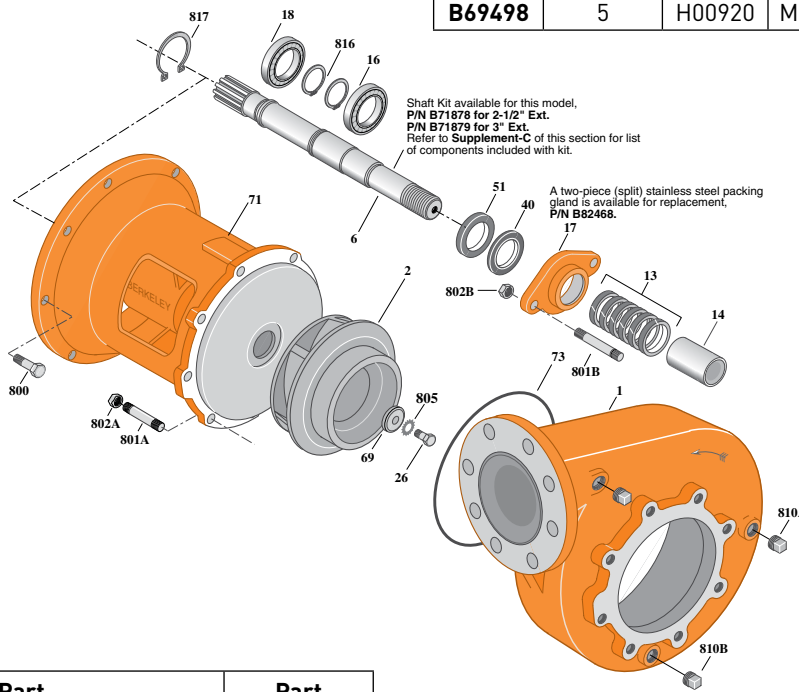
Flanged Case, Packing Construction

SAE ENGINE MOUNT

Section	SAE
Page	180.1
Date	March 4, 2013
Supersedes 07/01/11	

Table I

B/M No.	SAE Mtg. Size	Bracket No.	Shaft No.	Shaft Spline No.	Shaft Ext.
B70293	4	H00925	M04154	1-3/8-10T	3"
B69498	5	H00920	M02711	1-3/8-10T	2-1/2"



Item No.	Part Description	Part Number
1	Case, Volute	H05065
2	Impeller	M04272
6	Shaft (See Note)	See Table I
13	Ring, Packing (Set of 6)	S14022
14	Sleeve, Shaft	S05127
16	Bearing, Ball	S13270
17	Gland, Packing	S04948
18	Bearing, Ball	S14059
26	Screw, Impeller 3/8-16x2-1/4"	S23575
40	Slinger, Water	S12260
51	Seal, Oil	S14762
69	Washer, Impeller	S06314
71	Bracket	See Table I
119	O-Ring (See Note)	M14943
800	Capscrew, Hex 3/8-16x1-1/4" (12 Req. - SAE 4)	S26828
800	Capscrew, Hex 3/8-16x1-1/4" (7 Req. - SAE 5)	S26828

Item No.	Part Description	Part Number
801A	Stud, 3/8-16x1-1/4" (8 Req.-SAE 4)	S23994
801A	Stud, 3/8-16x1-3/8" (8 Req.-SAE 5)	S09942
801B	Stud, 3/8-16x3" (2 Req.)	S04439
802A	Nut, Hex 3/8-16 (8 Req.)	S23103
802B	Nut, Hex 3/8-16 (2 Req.)	S23343
805	Washer, Lock	S23036
810A	Plug, Pipe 1/2 NPT (2 Req.)	S23717
810B	Plug, Pipe 1/2 NPT Sq. Hd.	M11137
816	Ring, Retaining (2 Req.)	S23010
817	Ring, Retaining	S24652
•	Fitting, Grease	S23700

• Not illustrated.

NOTE: Also accepts gasket **S05126** as replacement for O-Ring. See **Supplement E** located at the beginning of this section.

