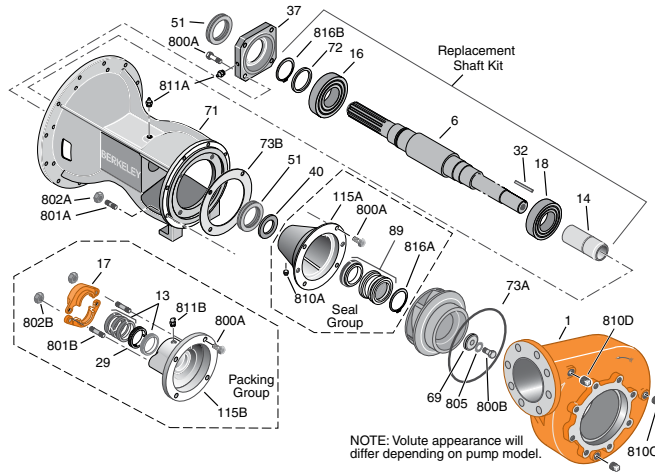


BERKELEY® B6ZQHS, B6ZQL

Cast Iron Impeller

SAE ENGINE MOUNT

Section	SAE
Page	195.1
Date	March 4, 2013
Supersedes 07/01/11	



B6ZQ Common Parts Groups Repair Parts List

Item No.	Part Description	Part Number
1	Volute Case, CW Flanged	H05065
6	Shaft, 1-1/2-10T SAE*	M12339
14	1-3/8 ID x 1-3/4 OD Shaft Sleeve	M12422
16	Single Row Ball Bearing	S13395
32	Shaft Key, 1/4" Sq. x 2-1/4" Lg.	S23677
37	Bearing Cap	M12335
40	Slinger, Water	S10964
51	Grease Seal [2 Req.]	M12337
69	Lock Washer	S06319
71	Bracket	M12331
72	Thrust Ring	S06519
73B	Balance Ring Gasket	S09943
119	O-Ring [See Note]	M14943
800A	3/8-16x1" Lg. Hex Hd Capscrew [8 Req.]	S26826
800B	Impeller Capscrew B6ZQL [S]	S23619
800B	Impeller Capscrew B6ZQH [S]	S23631
801A	3/8-16x1-1/2" Lg. Stud [8 Req.]	S23995
802A	3/8-16 Hex Nut [8 Req.]	S23103
805	Impeller Lock Washer	S23038
810A	1/8" NPT Pipe Plug	S23714
810C	1/2" NPT Sq. Hd. Pipe Plug [2 Req.]	S23717
810D	1/2" NPT Socket Hd. Pipe Plug	M11137
811A	Grease Fitting [2 Req.]	S23700
816B	External Retaining Ring	S23016

Packing Components

Item No.	Part Description	Part Number
13	Packing Ring Set	S13435
17	Split Packing Gland Set	B82470
29	Lantern Ring	S19200
115B	Packing Housing	M12334
801B	3/8-16NCx2-1/2" Lg. Stud [2 Req.]	S04438
802B	3/8-16 Hex Nut [2 Req.]	S23343
811B	1/8 MPTx90° Grease Fitting	S23702

Seal Components

Item No.	Part Description	Part Number
89	Packing Housing	S32015
115A	3/8-16NCx2-1/2" Lg. Stud [2 Req.]	M12333
810A	3/8-16 Hex Nut [2 Req.]	S23714
816A	1/8 MPTx90° Grease Fitting	S16767

* Sold only in Shaft Repair Kit B80870.

NOTE: Also accepts gasket **S05126** as replacement for O-Ring. See **Supplement E** located at the beginning of this section.

Refer to following page for model specific repair parts listing.



BERKELEY® B6ZQHS, B6ZQL

Cast Iron Impeller

SAE ENGINE MOUNT

Section	SAE
Page	195.2
Date	March 4, 2013
Supersedes 01/01/04	

B6ZQ Series 1-1/2" x 10T, SAE 4 & 5

Pump Series	Catalog Number	SAE	Style	Impeller	Replacement Shaft Kit	Replacement Coupling	Clutch Size
B6ZQH Packing Style Construction	B80854	4/5	Suction Flange 8" x 13-1/2"	M04348	B80870	B80828	7.5"
	B80855	4/5	B59878			B80829	6.5"
	B80856	4/5	Discharge Flange 6" x 11"			B77599	10"
	B80857	4/5	B59872			B80827	8"
B6ZQHS Mechanical Seal Construction	B80858	4/5	Suction Flange 8" x 13-1/2"	M04348	B80870	B80828	7.5"
	B80859	4/5	B59878			B80829	6.5"
	B80860	4/5	Discharge Flange 6" x 11"			B77599	10"
	B80861	4/5	B59872			B80827	8"
B6ZQL Packing Style Construction	B80862	4/5	Suction Flange 8" x 13-1/2"	M04349	B80870	B80828	7.5"
	B80863	4/5	B59878			B80829	6.5"
	B80864	4/5	Discharge Flange 6" x 11"			B77599	10"
	B80865	4/5	B59872			B80827	8"
B6ZQLS Mechanical Seal Construction	B80866	4/5	Suction Flange 8" x 13-1/2"	M04349	B80870	B80828	7.5"
	B80867	4/5	B59878			B80829	6.5"
	B80868	4/5	Discharge Flange 6" x 11"			B77599	10"
	B80869	4/5	B59872			B80827	8"