

BERKELEY® B6ZPBHH

Cast Iron Impeller

Flanged Case, Packing Construction

ELECTRIC MOTOR DRIVE

Section	CC
Page	348.1
Date	March 4, 2013
Supersedes 10/14/10	

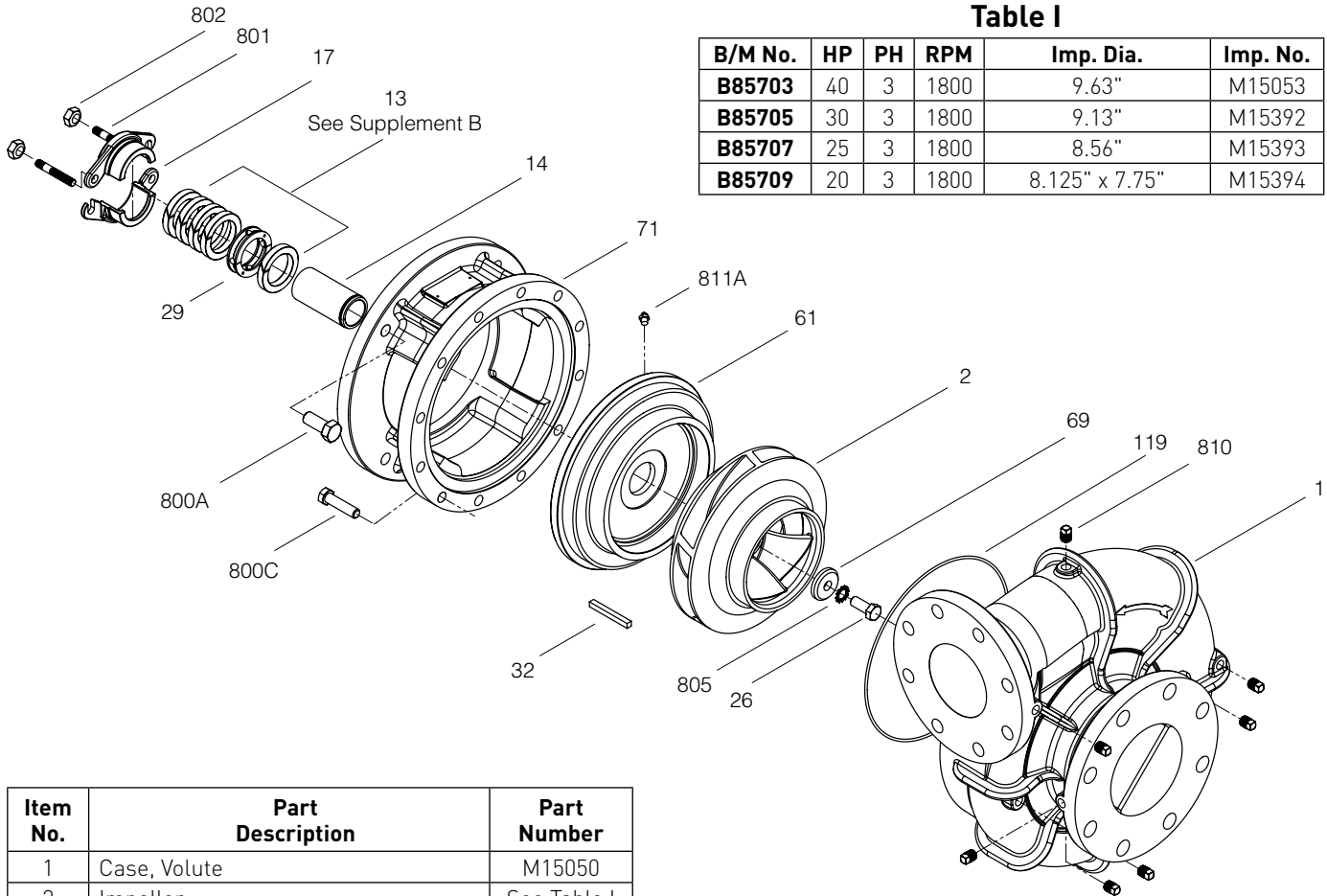


Table I

B/M No.	HP	PH	RPM	Imp. Dia.	Imp. No.
B85703	40	3	1800	9.63"	M15053
B85705	30	3	1800	9.13"	M15392
B85707	25	3	1800	8.56"	M15393
B85709	20	3	1800	8.125" x 7.75"	M15394

Item No.	Part Description	Part Number
1	Case, Volute	M15050
2	Impeller	See Table I
13	Ring, Packing (Set of 4)	S13435
14	Sleeve, Shaft (Note 2)	B85741
17	Gland, Packing	B82740
26	Screw, Impeller	S23621
29	Ring, Lantern	S19200
32	Key, 1/4" x 2-1/4"	S23677
61	Plate, Seal	M15047
69	Washer, Impeller	S06319
71	Bracket	See Table II
119	O-Ring	M15099
800A	Screw, 1/2-13NC x 1-1/2" LG CRS (4 rqd)	S26916
800C	Screw, 1/2-13NC x 2" LG CRS (12 rqd)	S26920
801	Stud, 3/8-16NC x 2-1/2" LG 416SS (2 rqd)	S04438
802	Nut, Hex, Lock 3/8-16 SS (2 rqd)	M13771
805	Washer, Lock	S23038
810	Plug, Pipe	S23715
811A	Fitting, Grease	S23700

Table II

HP	PH	Bracket No.	"AK" Fit	"U" Dim.	Motor Frame
40	3	M15045	12.50"	1-1/4"	324JP
30	3	M15050	12.50"	1-1/4"	286JP
25	3	M15050	12.50"	1-1/4"	284JP
20	3	M15044	8.50"	1-1/4"	256JP

NOTE 1: Impeller kit **B85754** includes items 26, 32, 69, 119, 805.

NOTE 2: Shaft sleeve kit **B85741** includes item 14, adhesive and instruction sheet.



BERKELEY® B6ZPBHHS

Cast Iron Impeller

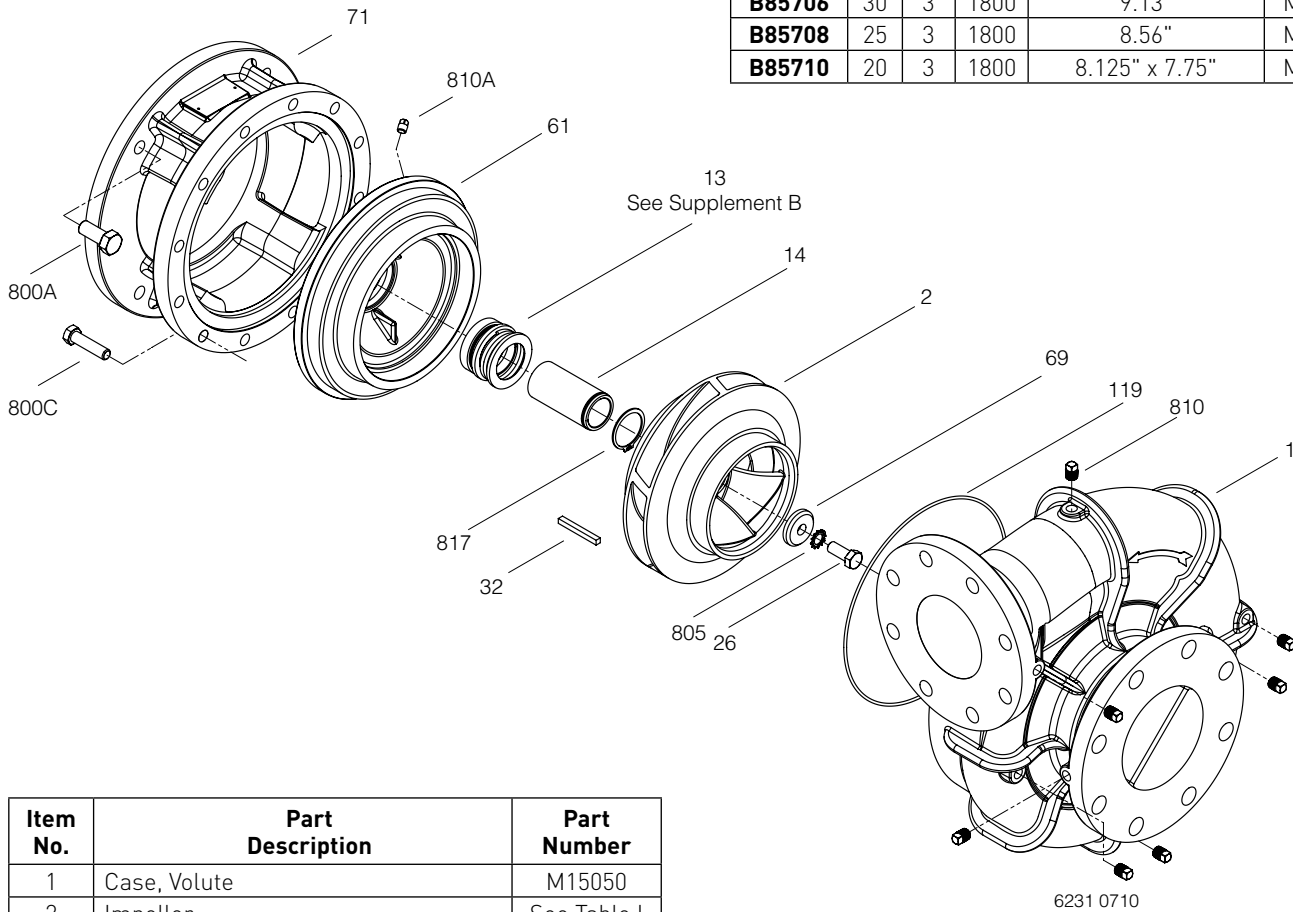
Flanged Case, Mechanical Shaft Seal Construction

ELECTRIC MOTOR DRIVE

Section	CC
Page	348.2
Date	March 4, 2013
Supersedes 10/14/10	

Table I

B/M No.	HP	PH	RPM	Imp. Dia.	Imp. No.
B85704	40	3	1800	9.63"	M15053
B85706	30	3	1800	9.13"	M15392
B85708	25	3	1800	8.56"	M15393
B85710	20	3	1800	8.125" x 7.75"	M15394



Item No.	Part Description	Part Number
1	Case, Volute	M15050
2	Impeller	See Table I
13	Seal, Shaft	S32015
14	Sleeve, Shaft (Note 2)	B85741
26	Screw, Impeller	S23621
32	Key, Impeller	S23677
61	Plate, Seal	M15046
69	Washer, Impeller	S06319
71	Bracket	See Table II
119	O-Ring	M15099
800A	Screw, 1/2-13NC x 1-1/2 LG CRS (4 rqd)	S26916
800C	Screw, 1/2-13NC x 2 LG CRS (12 rqd)	S26920
805	Washer, Lock	S23038
810	Plug, Pipe	S23715
810A	Plug, Pipe	U78-56ZPS
817	Ring, Retaining	S16767

Table II

HP	PH	Bracket No.	"AK" Fit	"U" Dim.	Motor Frame
40	3	M15045	12.50"	1-1/4"	324JP
30	3	M15045	12.50"	1-1/4"	286JP
25	3	M15045	12.50"	1-1/4"	284JP
20	3	M15044	8.50"	1-1/4"	256JP

NOTE 1: Impeller kit **B85754** includes items 26, 32, 69, 119, 805.

NOTE 2: Shaft sleeve kit **B85741** includes item 14, adhesive and instruction sheet.

