

BERKELEY® B6EXQBM

SAE ENGINE MOUNT

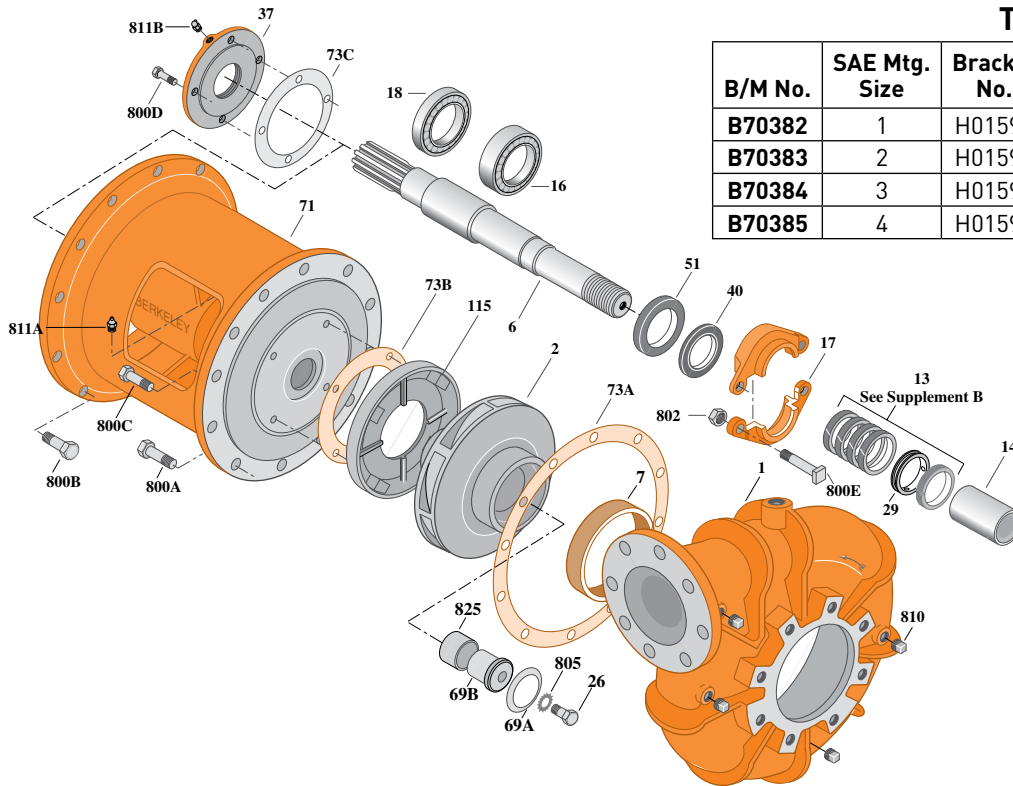
Cast Iron Impeller

Flanged Case, Packing Construction

Section	SAE
Page	230.1
Date	March 4, 2013
Supersedes 01/01/04	

Table I

B/M No.	SAE Mtg. Size	Bracket No.	Shaft No.	Shaft Spline No.	Shaft Ext.
B70382	1	H01598	H05113	1-1/2-10T	3"
B70383	2	H01597	H05113	1-1/2-10T	3"
B70384	3	H01596	H05113	1-1/2-10T	3"
B70385	4	H01595	H05113	1-1/2-10T	3"



Item No.	Part Description	Part Number
1	Case, Volute	H05096
2	Impeller	L05913
6	Shaft	See Table I
7	Ring, Wearing	S04879
13	Ring, Packing (Set of 4)	S13436
14	Sleeve, Shaft	S05974
16	Bearing, Ball	S13396
17	Gland, Packing	B82472
18	Bearing, Ball	S13395
26	Screw, Impeller 1/2-13x2-1/2"	S23629
29	Ring, Lantern	S18993
37	Outer Bearing Cap	M04998
40	Slinger, Water	S10964
51	Seal, Oil	S14765
69A	Washer, Impeller	S19864
69B	Locknut, Impeller	S30387
71	Bracket	See Table I
73A	Gasket, Volute	S06271

Item No.	Part Description	Part Number
73B	Gasket, Balance Ring	S09943
73C	Gasket	S18055
115	Ring, Balance	M06113
800A	Capscrew, Hex 5/8-11x1-1/2" (12 Req.)	S26999
800B	Capscrew, Hex 7/16-14x1-1/2" (12 Req. - SAE 1)	S26872
800B	Capscrew, Hex 3/8-16x1-1/4" (12 Req. - SAE 2, SAE 3, SAE 4)	S26828
800C	Capscrew, Hex 3/8-16x1" (4 Req.)	S26826
800D	Capscrew, Hex 1/4-20x3/4" (4 Req.)	S23119
800E	Bolt, Sq. Head 1/2-13x2-3/4" (2 Req.)	S23794
802	Nut, Hex 1/2-13x7/16" (2 Req.)	S23347
805	Washer, Lock	S23038
810	Plug, Pipe 1/2 NPT (4 Req.)	S23717
811A	Fitting, Grease	S23670
811B	Fitting, Grease	S23702
825	Sleeve, Impeller Nut	S30388
•	Fitting, Grease	S23700

• Not illustrated.

