

BERKELEY® B6EXQBH

SAE ENGINE MOUNT

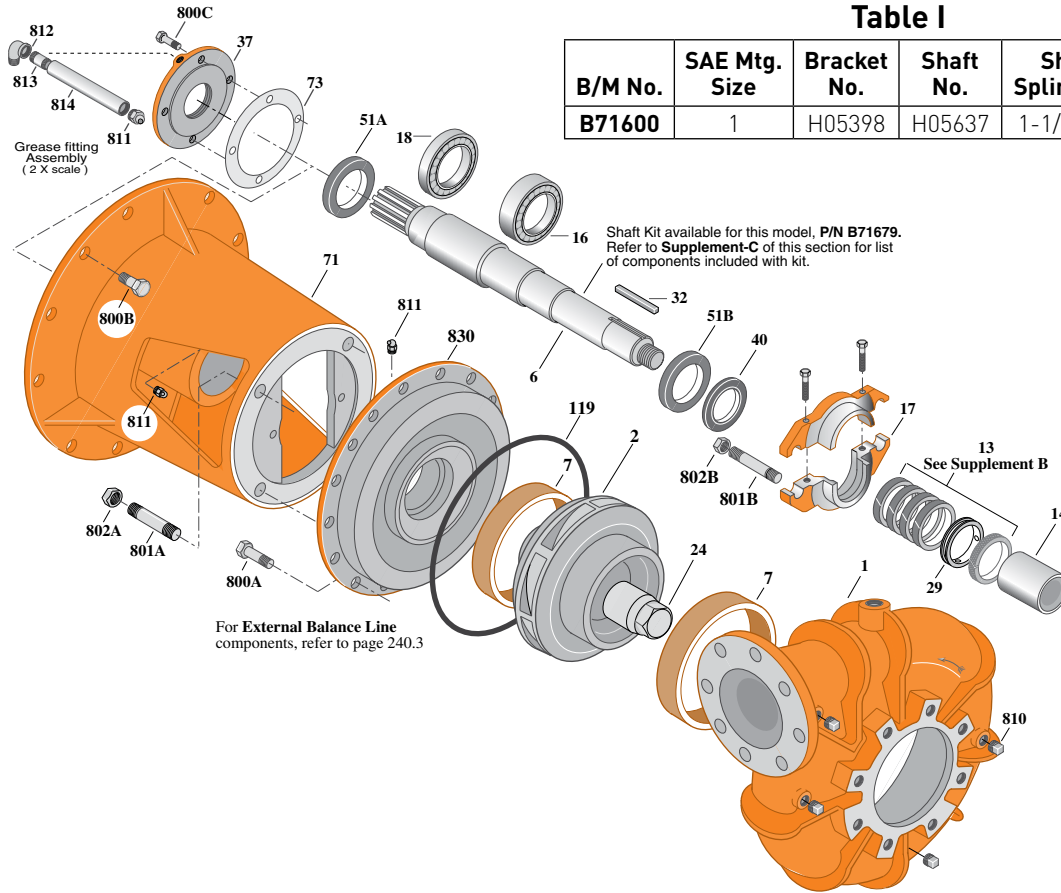
Cast Iron Impeller

Flanged Case, Packing Construction

Section	SAE
Page	240.1
Date	March 4, 2013
Supersedes 01/01/04	

Table I

B/M No.	SAE Mtg. Size	Bracket No.	Shaft No.	Shaft Spline No.	Shaft Ext.
B71600	1	H05398	H05637	1-1/2-10T	3"



Item No.	Part Description	Part Number
1	Case, Volute	H05097
2	Impeller	L07148
6	Shaft	See Table I
7	Ring, Wearing	S04879
13	Ring, Packing [Set of 4]	S13437
14	Sleeve, Shaft	S07073
16	Bearing, Ball	S14049
17	Gland, Packing	B82473
18	Bearing, Ball	M09974
24	Lock, Impeller	S07829
29	Ring, Lantern	S19198
32	Key, 3/8 x 2"	S23939
37	Outer Bearing Cap	L07591
40	Slinger, Water	M09682
51A	Seal, Oil	M10210
51B	Seal, Oil	S14769

Item No.	Part Description	Part Number
71	Bracket	See Table I
73	Gasket	S19665
119	O-Ring	S14444
800A	Capscrew, Hex 5/8-11x1-1/2" (16 Req.)	S26999
800B	Capscrew, Hex 7/16-14x2" (12 Req.)	S26878
800C	Capscrew, Hex 3/8-16x1" (4 Req.)	S26826
801A	Stud, 3/4-10x2-3/4" (4 Req.)	S24080
801B	Stud, 1/2-13x3-3/4" (2 Req.)	S08305
802A	Nut, Hex 3/4-10 (4 Req.)	S23111
802B	Nut, Hex 1/2-13x7/16" (2 Req.)	S23347
810	Plug, Pipe 1/2 NPT (4 Req.)	S23717
811	Fitting, Grease (3 Req.)	S23702
812	Elbow, Street 90°	S25406
813	Nipple, Pipe	S24284
814	Coupling, Pipe	S24261
830	Cover, Case Back	H05100



BERKELEY® B6EXQBH

SAE ENGINE MOUNT

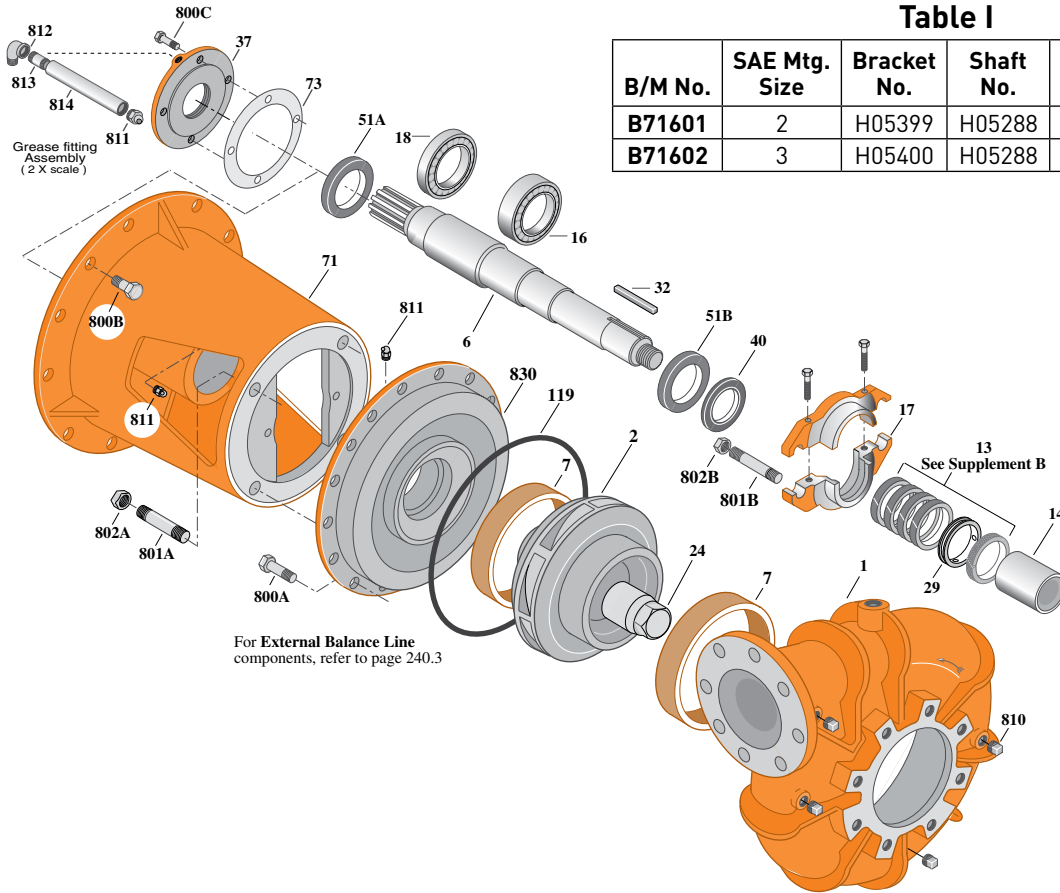
Cast Iron Impeller

Flanged Case, Packing Construction

Section	SAE
Page	240.2
Date	March 4, 2013
Supersedes 01/01/04	

Table I

B/M No.	SAE Mtg. Size	Bracket No.	Shaft No.	Shaft Spline No.	Shaft Ext.
B71601	2	H05399	H05288	1-1/2-10T	3"
B71602	3	H05400	H05288	1-1/2-10T	3"



Item No.	Part Description	Part Number
1	Case, Volute	H05097
2	Impeller	L07148
6	Shaft	See Table I
7	Ring, Wearing [2 Req.]	S04879
13	Ring, Packing [Set of 4]	S08294
14	Sleeve, Shaft	S07073
16	Bearing, Ball	S14049
17	Gland, Packing	B82473
18	Bearing, Ball	M09974
24	Lock, Impeller	S07829
29	Ring, Lantern	S19198
32	Key, 3/8 x 2"	S23939
37	Outer Bearing Cap	L07591
40	Slinger, Water	M09682
51A	Seal, Oil	M10210
51B	Seal, Oil	S14769

Item No.	Part Description	Part Number
71	Bracket	See Table I
73	Gasket	S19665
119	O-Ring	S14444
800A	Capscrew, Hex 5/8-11x1-1/2" [16 Req.]	S26999
800B	Capscrew, Hex 3/8-16x1-1/4" [12 Req.]	S26828
800C	Capscrew, Hex 3/8-16x1" [4 Req.]	S26826
801A	Stud, 3/4-10x2-3/4" [4 Req.]	S24080
801B	Stud, 1/2-13x3-3/4" [2 Req.]	S08305
802A	Nut, Hex 3/4-10 [4 Req.]	S23111
802B	Nut, Hex 1/2-13x7/16" [2 Req.]	S23347
810	Plug, Pipe 1/2 NPT [4 Req.]	S23717
811	Fitting, Grease [3 Req.]	S23702
812	Elbow, Street 90°	S25406
813	Nipple, Pipe	S24284
814	Coupling, Pipe	S24261
830	Cover, Case Back	H05100



BERKELEY® B6EXQBH

Silicon Bronze Impeller

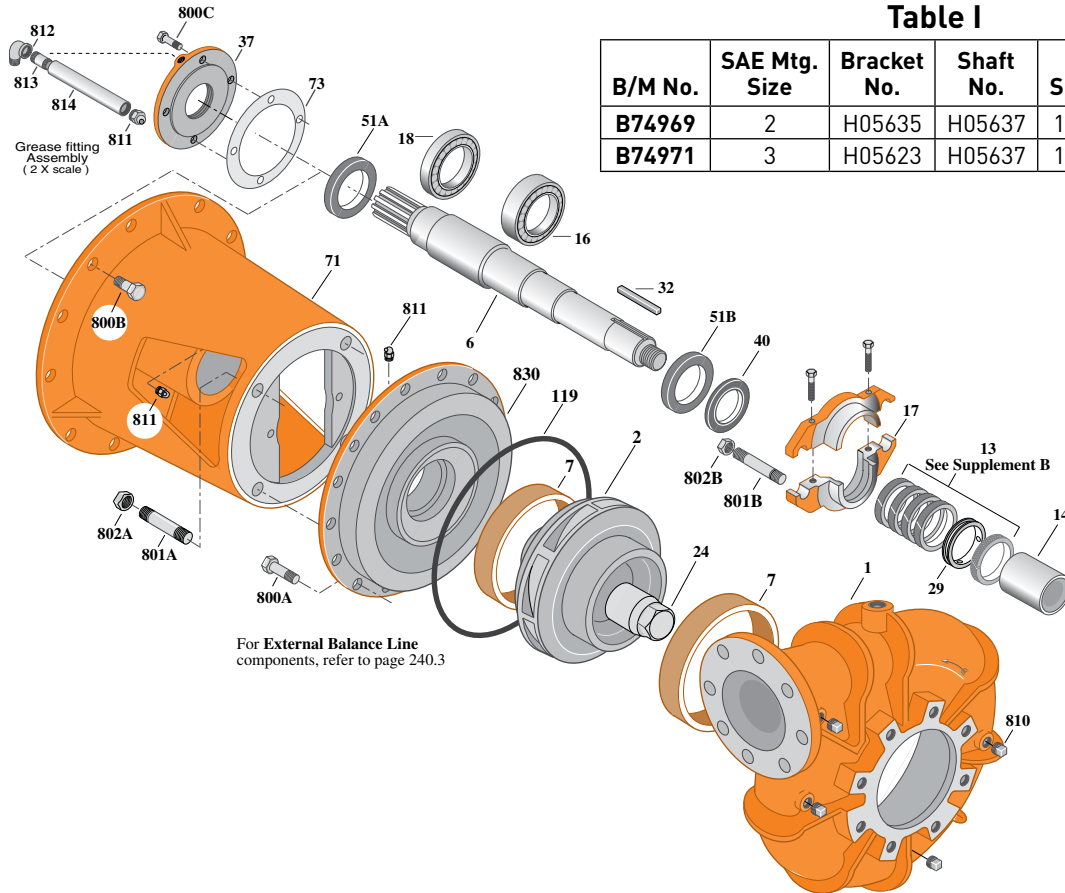
Flanged Case, Packing Construction

SAE ENGINE MOUNT

Section	SAE
Page	240.25
Date	March 4, 2013
Supersedes 01/01/04	

Table I

B/M No.	SAE Mtg. Size	Bracket No.	Shaft No.	Shaft Spline No.	Shaft Ext.
B74969	2	H05635	H05637	1-1/2-10T	3"
B74971	3	H05623	H05637	1-1/2-10T	3"



Item No.	Part Description	Part Number
1	Case, Volute	H05097
2	Impeller	L07148
6	Shaft	See Table I
7	Ring, Wearing (2 Req.)	S04879
13	Ring, Packing (Set of 4)	S08294
14	Sleeve, Shaft	S07073
16	Bearing, Ball	S14049
17	Gland, Packing	M02874
18	Bearing, Ball	M09974
24	Lock, Impeller	S07829
29	Ring, Lantern	S19198
32	Key, 3/8 x 2"	S23939
37	Outer Bearing Cap	L07591
40	Slinger, Water	M09682
51A	Seal, Oil	M10210
51B	Seal, Oil	S14769

Item No.	Part Description	Part Number
71	Bracket	See Table I
73	Gasket	S19665
119	O-Ring	S14444
800A	Capscrew, Hex 5/8-11x1-1/2" (16 Req.)	S26999
800B	Capscrew, Hex 3/8-16x2" (12 Req.)	S26834
800C	Capscrew, Hex 3/8-16x1" (4 Req.)	S26826
801A	Stud, 3/4-10x2-3/4" (4 Req.)	S24080
801B	Stud, 1/2-13x3-3/4" (2 Req.)	S08305
802A	Nut, Hex 3/4-10 (4 Req.)	S23111
802B	Nut, Hex 1/2-13 (2 Req.)	S23347
810	Plug, Pipe 1/2 NPT (4 Req.)	S23717
811	Fitting, Grease (3 Req.)	S23702
812	Elbow, Street 90°	S25406
813	Nipple, Pipe	S24284
814	Coupling, Pipe	S24261
830	Cover, Case Back	H05100

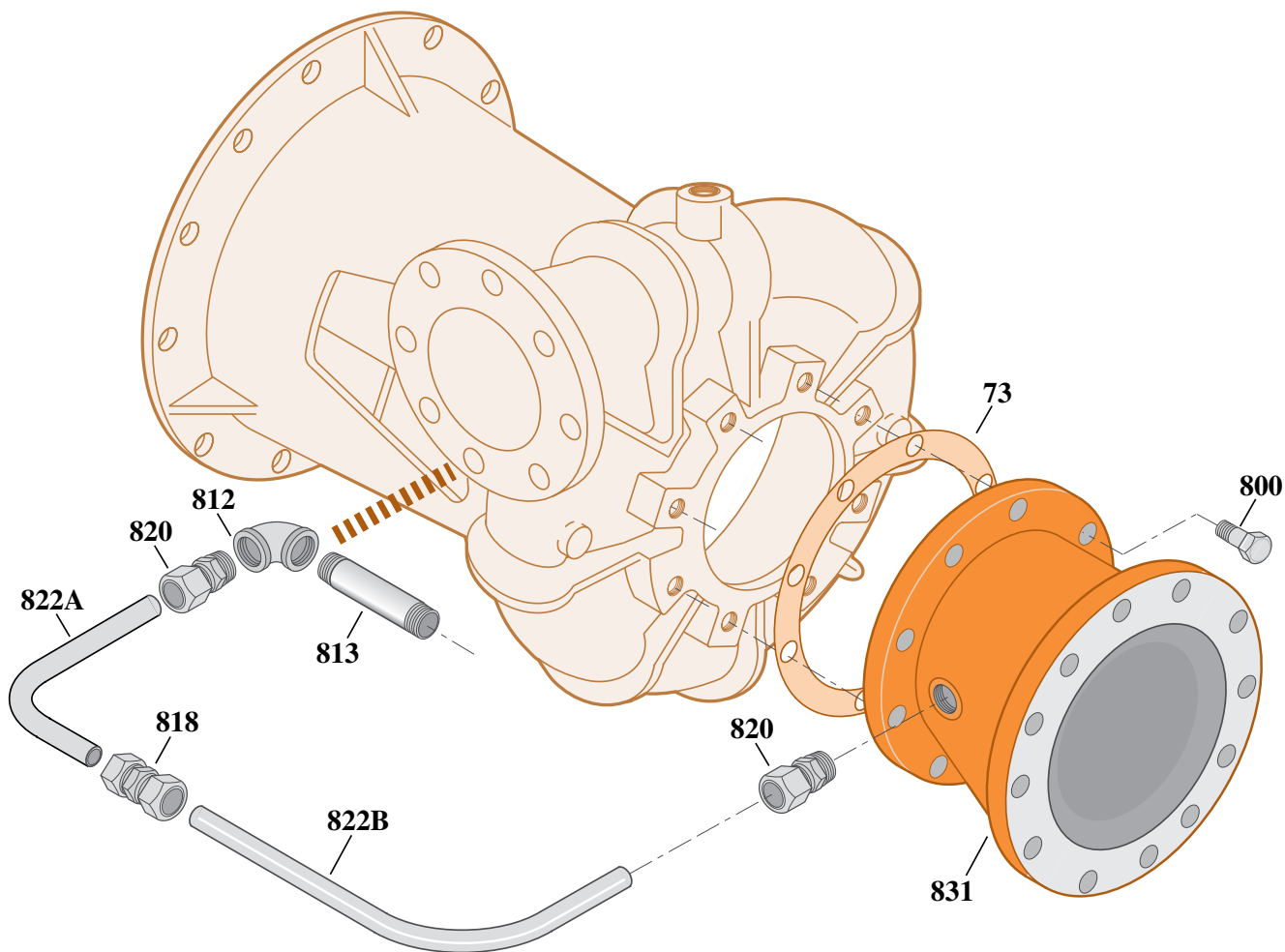


BERKELEY® B6EXQ

SAE ENGINE MOUNT

Section	SAE
Page	240.3
Date	March 4, 2013
Supersedes 01/01/04	

External Balance Line Components



Item No.	Part Description	Part Number
73	Gasket, Reducer to Pump	S10369
800	Capscrew, Hex 3/4-10x2-1/4"	S27330
812	Elbow, 90°	U78-10GP
813	Nipple, Pipe 1"x5"	Q34038
818	Union, Pipe	M10236
820	Connector, Tube	M10105
822A	Tubing, LH	L07147
822B	Tubing, RH	L06966
831	Reducer, Eccentric	L07032

External Balance Line components are found on the following pumps:

B/M No.	Model No.	Mounting Size
B71597	B6EXQBL	SAE 1
B71598	B6EXQBL	SAE 2
B74972	B6EXQBL	SAE 2
B71599	B6EXQBL	SAE 3
B74973	B6EXQBL	SAE 3
B71600	B6EXQBH	SAE 1
B71601	B6EXQBH	SAE 2
B71602	B6EXQBH	SAE 3

BERKELEY® B6EXQBHS

SAE ENGINE MOUNT

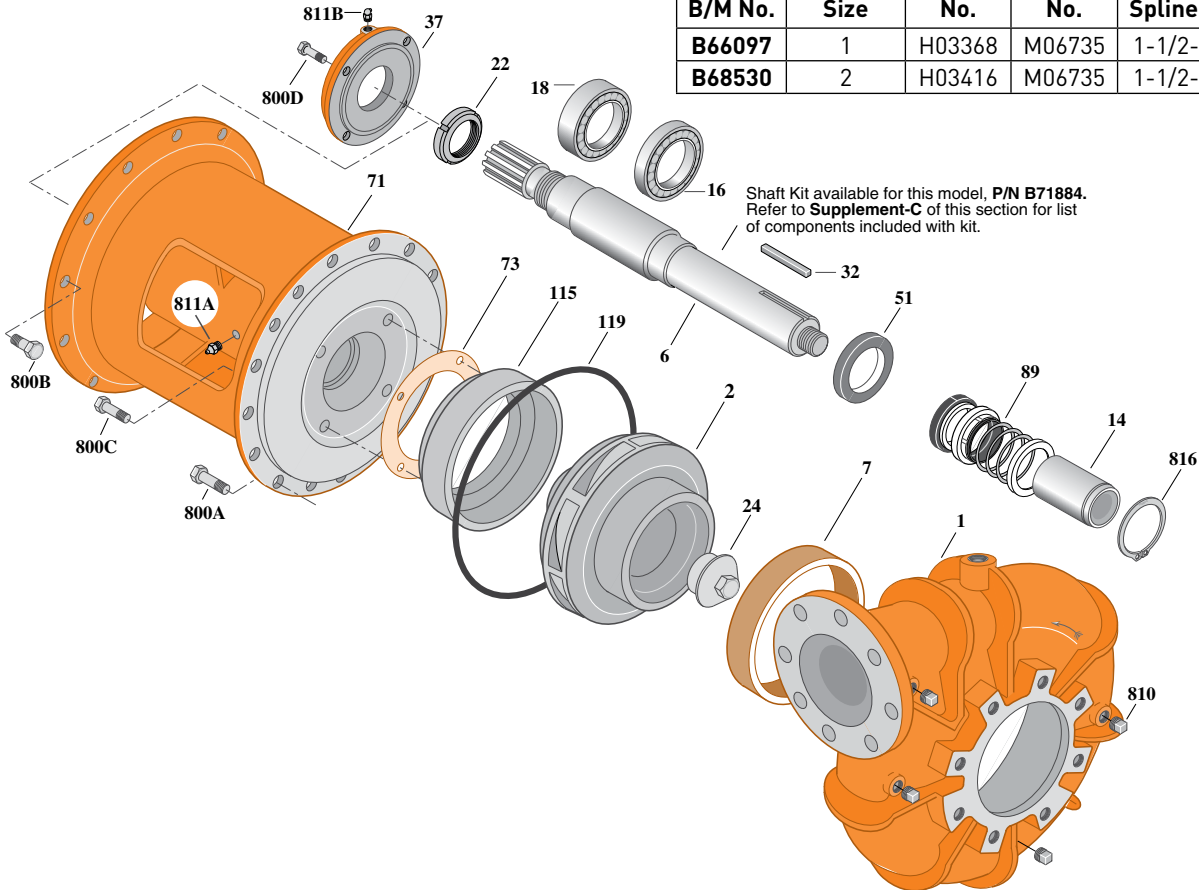
Cast Iron Impeller

Flanged Case, Mechanical Construction

Section	SAE
Page	240.4
Date	March 4, 2013
Supersedes 01/01/04	

Table I

B/M No.	SAE Mtg. Size	Bracket No.	Shaft No.	Shaft Spline No.	Shaft Ext.
B66097	1	H03368	M06735	1-1/2-10T	3"
B68530	2	H03416	M06735	1-1/2-10T	3"



Item No.	Part Description	Part Number
1	Case, Volute	H05097
2	Impeller	L05805
6	Shaft	See Table I
7	Ring, Wearing	S04879
14	Sleeve, Shaft (2 Req.)	S19499
16	Bearing, Ball	S19502
18	Bearing, Ball	S18336
22	Locknut, Bearing	S19498
24	Locknut, Impeller	M10247
32	Key, 1/2 x 2"	S26545
37	Bearing Cap	M06729
51	Seal, Oil	S19501
71	Bracket	See Table I
73	Gasket, Balance Ring	S09943

Item No.	Part Description	Part Number
89	Seal, Mechanical Shaft	S30320
115	Ring, Balance	M04223
119	O-Ring	S14444
800A	Capscrew, Hex 5/8-11x1-1/2" (16 Req.)	S26999
800B	Capscrew, Hex 7/16-14x1-1/4" (12 Req. - SAE 1)	S26874
800B	Capscrew, Hex 3/8-16x1-1/4" (12 Req. - SAE 2)	S26828
800C	Capscrew, Hex 3/8-16x1" (4 Req.)	S26826
800D	Capscrew, Hex 3/8-16x7/8" (4 Req.)	S26825
810	Plug, Pipe 1/2 NPT (4 Req.)	S23717
811A	Fitting, Grease Drive Type	S23670
811B	Fitting, Grease	S23702
816	Ring, Retaining	S17831

