

BERKELEY® B5ZQBH

Cast Iron Impeller

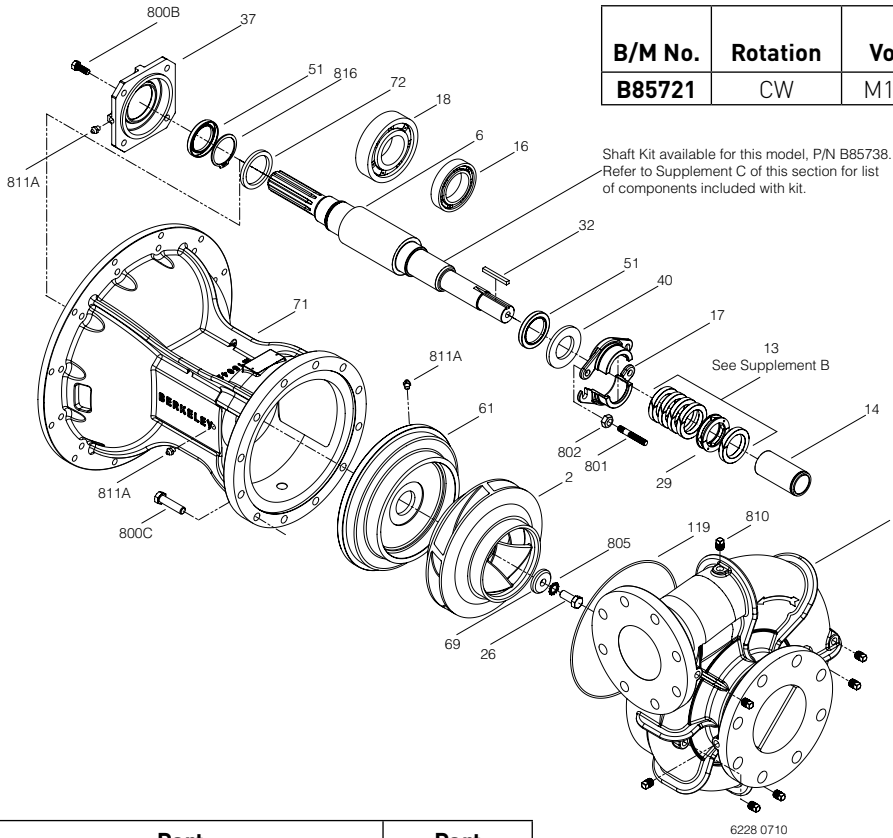
Flanged Case, Packing Construction

SAE ENGINE MOUNT

Section	SAE
Page	157.1
Date	March 4, 2013
Supersedes 08/17/10	

Table I

B/M No.	Rotation	Volute	Impeller	Impeller Diameter
B85721	CW	M15049	M15052	9.50"



Item No.	Part Description	Part Number
1	Case, Volute	M15049
2	Impeller	M15052
6	Shaft	M15092
13	Ring, Packing [Set of 4]	S13435
14	Sleeve, Shaft (Note 3)	B85741
16	Bearing, Ball	M15097
17	Gland, Packing	B82470
18	Bearing, Ball	S13754
26	Screw, Impeller	S23621
29	Ring, Lantern	S19200
32	Key, 1/4" x 2-1/4"	S23677
37	Outer Bearing Cap	M15054
40	Slinger, Water	S10964
51	Seal, Oil [2 rqd]	M12337
61	Plate, Seal	M15047
69	Washer, Impeller	S06319
71	Bracket	M15042
72	Ring, Thrust	M15095

Item No.	Part Description	Part Number
119	O-Ring	M15099
800B	Screw, 3/8-16 x 1" LG CRS (4 rqd)	S26826
800C	Screw, 1/2-13NC x 2" LG CRS (12 rqd)	S26920
801	Stud, 3/8-16NC x 2-1/2" LG 416SS (2 rqd)	S04438
802	Nut, Hex, Lock 3/8-16 SS (2 rqd)	M13771
805	Washer, Lock	S23038
810	Plug, Pipe	S23715
811A	Fitting, Grease (2 rqd)	S23700
811B	Fitting, Grease	S23702
816	Ring, Retaining	M15094

NOTE 1: Shaft replacement kit B85738 includes items 6, 14, 16, 18, 26, 32, 40, 51, 69, 72, 805, 816.

NOTE 2: Impeller kit B85754 includes items 26, 32, 69, 119, 805.

NOTE 3: Shaft sleeve kit B85741 includes item 14, adhesive and instruction sheet.



BERKELEY® B5ZQBHS

SAE ENGINE MOUNT

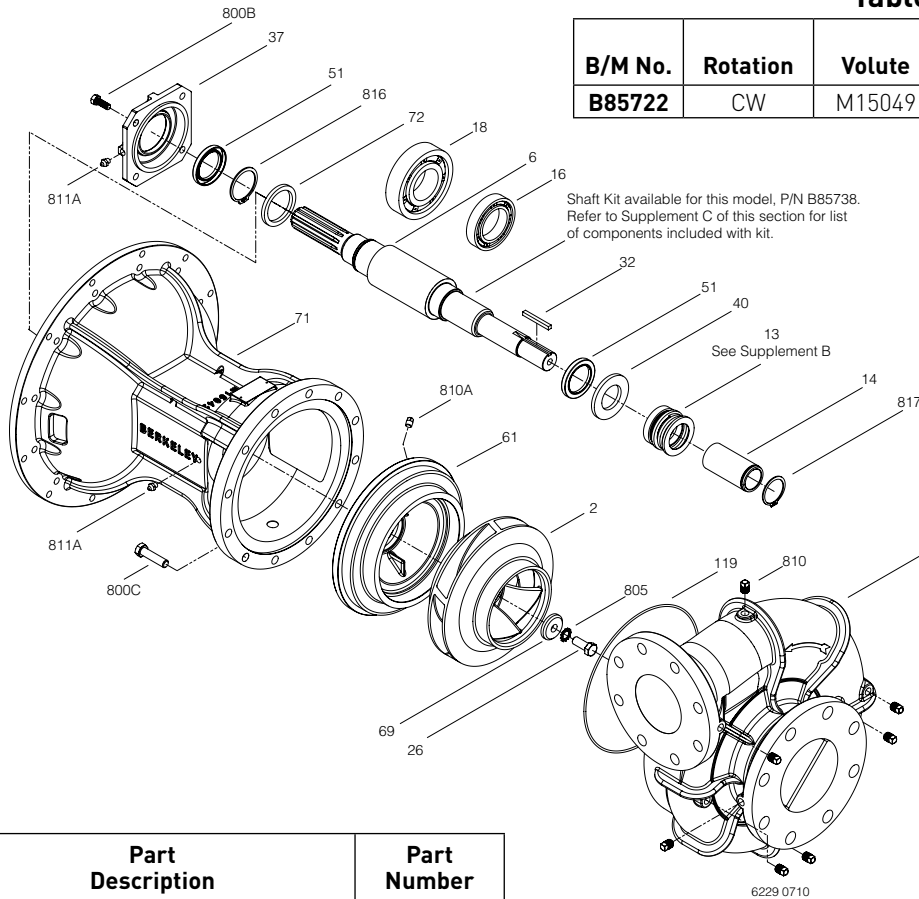
Cast Iron Impeller

Flanged Case, Mechanical Shaft Seal Construction

Section	SAE
Page	157.2
Date	March 4, 2013
Supersedes 08/17/10	

Table I

B/M No.	Rotation	Volute	Impeller	Impeller Diameter
B85722	CW	M15049	M15052	9.50"



Item No.	Part Description	Part Number
1	Case, Volute	M15049
2	Impeller	M15052
6	Shaft	M15092
13	Seal, Shaft	S32015
14	Sleeve, Shaft (Note 3)	B85741
16	Bearing, Ball	M15097
18	Bearing, Ball	S13754
26	Screw, Impeller	S23621
32	Key, 1/4" x 2-1/4"	S23677
37	Outer Bearing Cap	M15054
40	Slinger, Water	S10964
51	Seal, Grease (2 rqd)	M12337
61	Plate, Seal	M15046
69	Washer, Lock	S06319
71	Bracket	M15042
72	Ring, Thrust	M15095
119	O-Ring	M15099
800B	Screw, 3/8-16 X 1" LG CRS [4 rqd]	S26826

Item No.	Part Description	Part Number
800C	Screw, 1/2-13NC X 2" LG CRS [12 rqd]	S26920
805	Washer, Lock	S23038
810	Plug, Pipe	S23715
810A	Plug, Pipe	U78-56ZPS
811A	Fitting, Grease [2 rqd]	S23700
816	Ring, Retaining	M15094
817	Ring, Retaining	S16767

NOTE 1: Shaft replacement kit B85738 includes items 6, 14, 16, 18, 26, 32, 40, 51, 69, 72, 805, 816.

NOTE 2: Impeller kit B85754 includes items 26, 32, 69, 119, 805.

NOTE 3: Shaft sleeve kit B85741 includes item 14, adhesive and instruction sheet.

