

BERKELEY® B5ZPBH

Cast Iron Impeller

Flanged Case, Packing Construction

ELECTRIC MOTOR DRIVE

Section	CC
Page	307.1
Date	March 4, 2013
Supersedes 03/01/12	

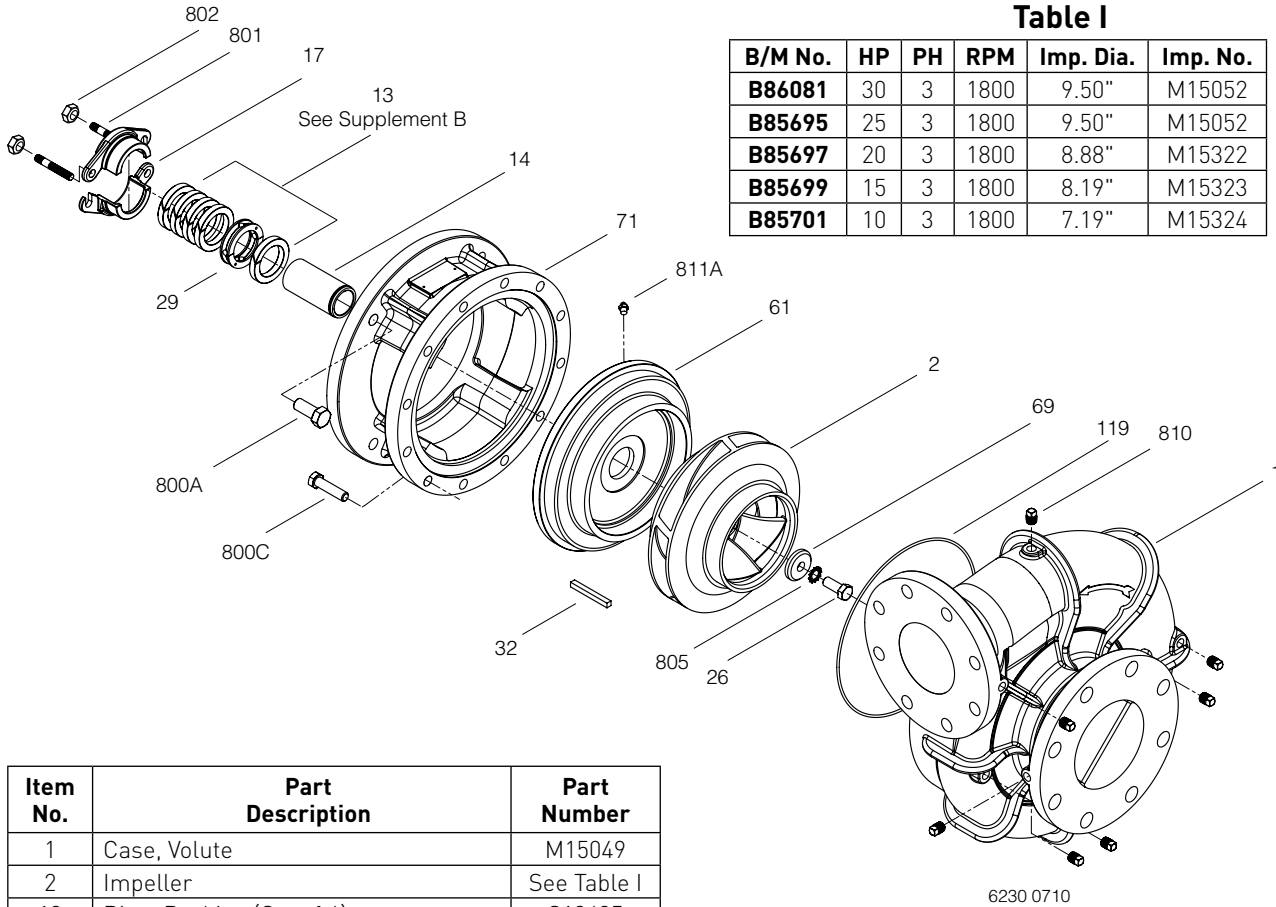


Table I

B/M No.	HP	PH	RPM	Imp. Dia.	Imp. No.
B86081	30	3	1800	9.50"	M15052
B85695	25	3	1800	9.50"	M15052
B85697	20	3	1800	8.88"	M15322
B85699	15	3	1800	8.19"	M15323
B85701	10	3	1800	7.19"	M15324

Item No.	Part Description	Part Number
1	Case, Volute	M15049
2	Impeller	See Table I
13	Ring, Packing (Set of 4)	S13435
14	Sleeve, Shaft (Note 2)	B85741
17	Gland, Packing	B82740
26	Screw, Impeller	S23621
29	Ring, Lantern	S19200
32	Key, 1/4" X 2-1/4"	S23677
61	Plate, Seal	M15047
69	Washer, Impeller	S06319
71	Bracket	See Table II
119	O-Ring	M15099
800A	Screw, 1/2-13NC X 1-1/2" LG CRS (4 rqd)	S26916
800C	Screw, 1/2-13NC X 2" LG CRS (12 rqd)	S26920
801	Stud, 3/8-16NC X 2-1/2" LG 416SS (2 rqd)	S04438
802	Nut, Hex, Lock 3/8-16 SS (2 rqd)	M13771
805	Washer, Lock	S23038
810	Plug, Pipe	S23715
811A	Fitting, Grease	S23700

6230 0710

Table II

HP	PH	Bracket No.	"AK" Fit	"U" Dim.	Motor Frame
30	3	M15045	12.50"	1-1/4"	286JP
25	3	M15045	12.50"	1-1/4"	284JP
20	3	M15044	8.50"	1-1/4"	256JP
15	3	M15044	8.50"	1-1/4"	254JP
10	3	M15044	8.50"	1-1/4"	215JP

NOTE 1: Impeller kit **B85754** includes items 26, 32, 69, 119, 805.

NOTE 2: Shaft sleeve kit **B85741** includes item 14, adhesive and instruction sheet.



BERKELEY® B5ZPBHS

Cast Iron Impeller

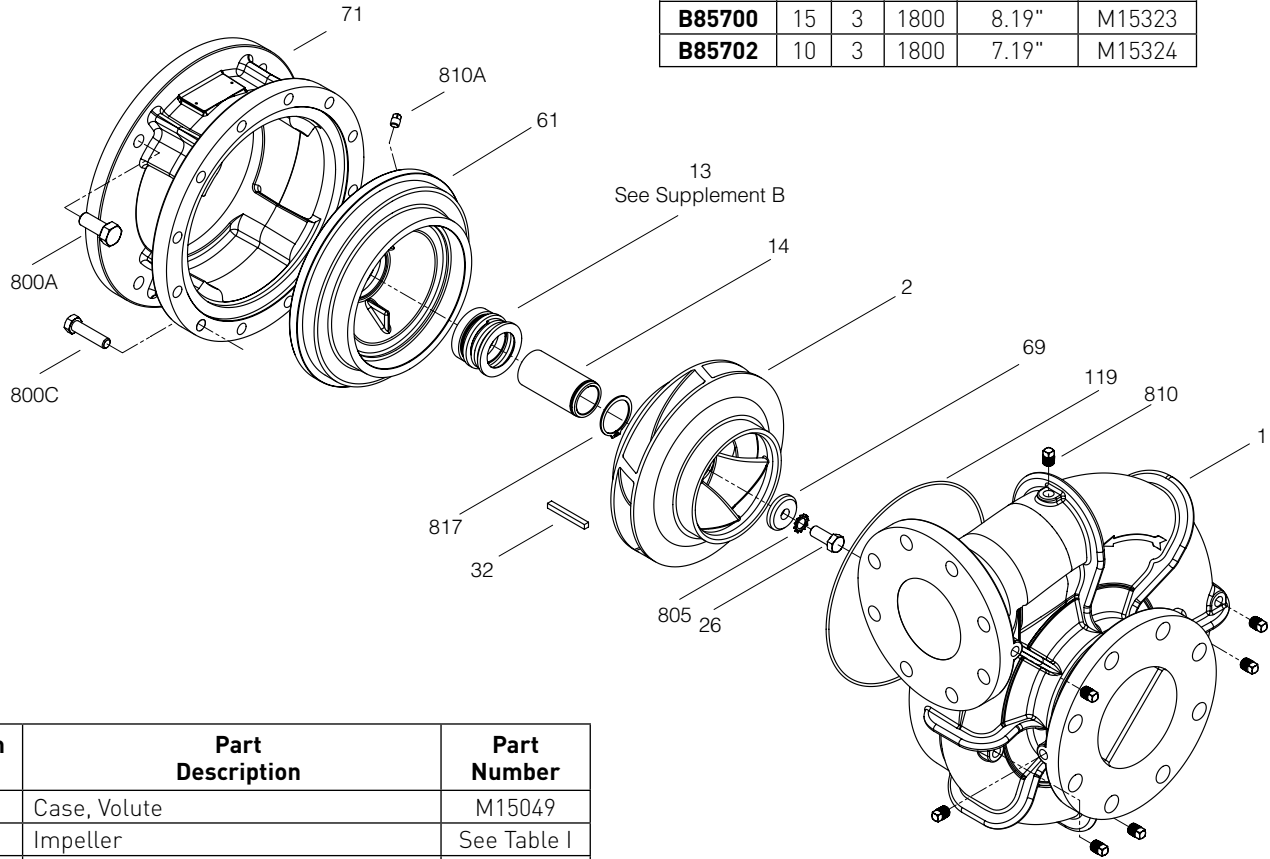
Flanged Case, Mechanical Shaft Seal Construction

ELECTRIC MOTOR DRIVE

Section	CC
Page	307.2
Date	March 4, 2013
Supersedes 03/01/12	

Table I

B/M No.	HP	PH	RPM	Imp. Dia.	Imp. No.
B86082	30	3	1800	9.50"	M15052
B85696	25	3	1800	9.50"	M15052
B85698	20	3	1800	8.88"	M15322
B85700	15	3	1800	8.19"	M15323
B85702	10	3	1800	7.19"	M15324



Item No.	Part Description	Part Number
1	Case, Volute	M15049
2	Impeller	See Table I
13	Seal, Shaft	S32015
14	Sleeve, Shaft (Note 2)	B85741
26	Screw, Impeller	S23621
32	Key, Impeller	S23677
61	Plate, Seal	M15046
69	Washer, Impeller	S06319
71	Bracket	See Table II
119	O-Ring	M15099
800A	Screw, 1/2-13NC X 1-1/2 LG CRS [4 rqd]	S26916
800C	Screw, 1/2-13NC X 2 LG CRS [12 rqd]	S26920
805	Washer, Lock	S23038
810	Plug, Pipe	S23715
810A	Plug, Pipe	U78-56ZPS
817	Ring, Retaining	S16767

Table II

HP	PH	Bracket No.	"AK" Fit	"U" Dim.	Motor Frame
30	3	M15045	12.50"	1-1/4"	286JP
25	3	M15045	12.50"	1-1/4"	284JP
20	3	M15044	8.50"	1-1/4"	256JP
15	3	M15044	8.50"	1-1/4"	254JP
10	3	M15044	8.50"	1-1/4"	215JP

NOTE 1: Impeller kit **B85754** includes items 26, 32, 69, 119, 805.

NOTE 2: Shaft sleeve kit **B85741** includes item 14, adhesive and instruction sheet.

