

BERKELEY® B4ZQKLS

Cast Iron Impeller

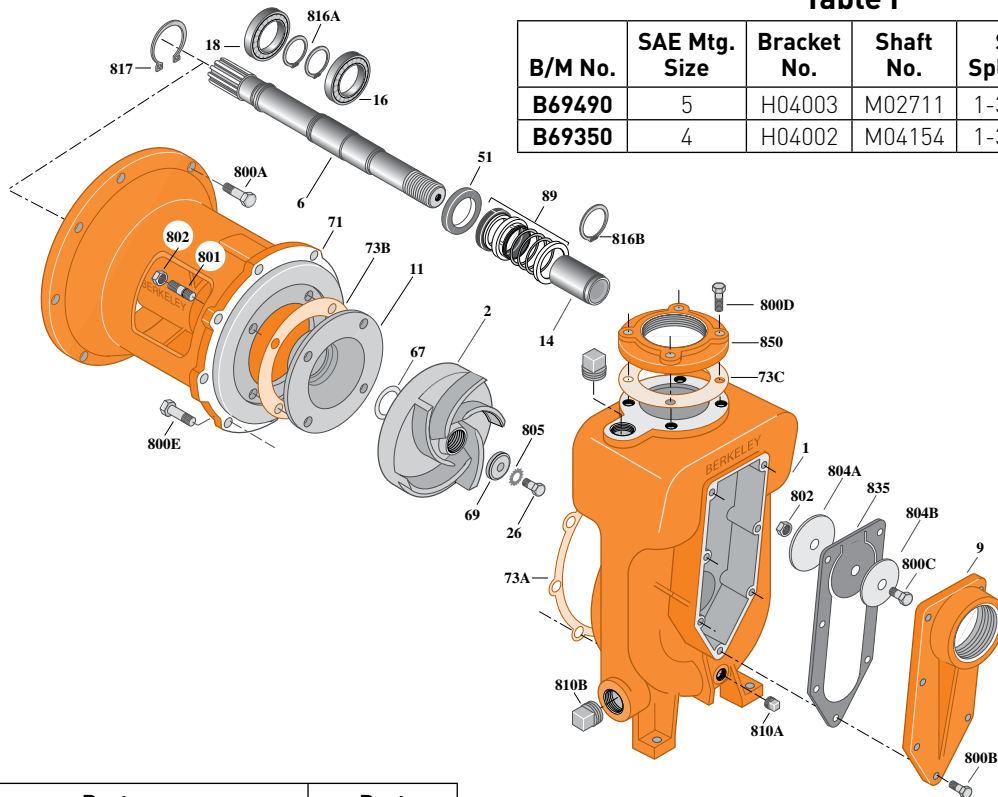
Threaded Case (NPT), Mechanical Seal Construction

SAE ENGINE MOUNT SELF PRIME

Section	SAE/SP
Page	40.1
Date	March 4, 2013
Supersedes 01/01/04	

Table I

B/M No.	SAE Mtg. Size	Bracket No.	Shaft No.	Shaft Spline No.	Shaft Ext.
B69490	5	H04003	M02711	1-3/8-10T	2-1/2"
B69350	4	H04002	M04154	1-3/8-10T	3"



Item No.	Part Description	Part Number
1	Case, Volute	H02505
2	Impeller	M08094
6	Shaft	See Table I
9	Cover, Suction	L04108
11	Seal Retainer	M06063
14	Sleeve, Shaft	S39242
16	Bearing, Ball	S13270
18	Bearing, Ball	S14059
26	Screw, Impeller	S23566
51	Seal, Oil	S14762
67	Spacer, Impeller	S15405
69	Washer, Impeller Lock	S06314
71	Bracket	See Table I
73A	Gasket, Volute	S05126
73B	Gasket, Seal Retainer	S16800
73C	Gasket, Flange	S10364
89	Seal, Mechanical Shaft	S32690
800A	Capscrew, 3/8 - 16 x 1" [7 Req.]	S26826

Item No.	Part Description	Part Number
800B	Capscrew, 3/8 - 16 x 1-1/4" [7 Req.]	S26828
800C	Capscrew, 3/8 - 16 x 3/4" [4 Req.]	S26824
800D	Capscrew, 5/8 - 11 x 1-3/4" [4 Req.]	S27001
800E	Capscrew, 3/8 - 16 x 2-1/4" [8 Req.]	S26825
801	Stud, 3/8 - 16 x 3" [4 Req.]	S23994
802	Nut, Hex 3/8-16 [5 Req.]	S23103
804A	Weight, Clack	S14842
804B	Weight, Clack	S15325
805	Washer, Lock	S23036
810A	Plug, Pipe 1/2 NPT [2 Req.]	S23717
810B	Plug, Pipe 1-1/2 NPT [2 Req.]	S23695
•811	Fitting, Grease	S23700
816A	Ring, Retaining [2 Req.]	S23010
816B	Ring, Retaining	S23009
817	Ring, Retaining	S24652
835	Clack, Rubber	L04119
850	Flange, Blind	S15933

• Not illustrated.

