

BERKELEY® B4ZQKHS

Cast Iron Impeller

Threaded Case (NPT), Mechanical Seal Construction

SAE ENGINE MOUNT SELF PRIME

Section	SAE/SP
Page	50.1
Date	March 4, 2013
Supersedes 01/01/04	

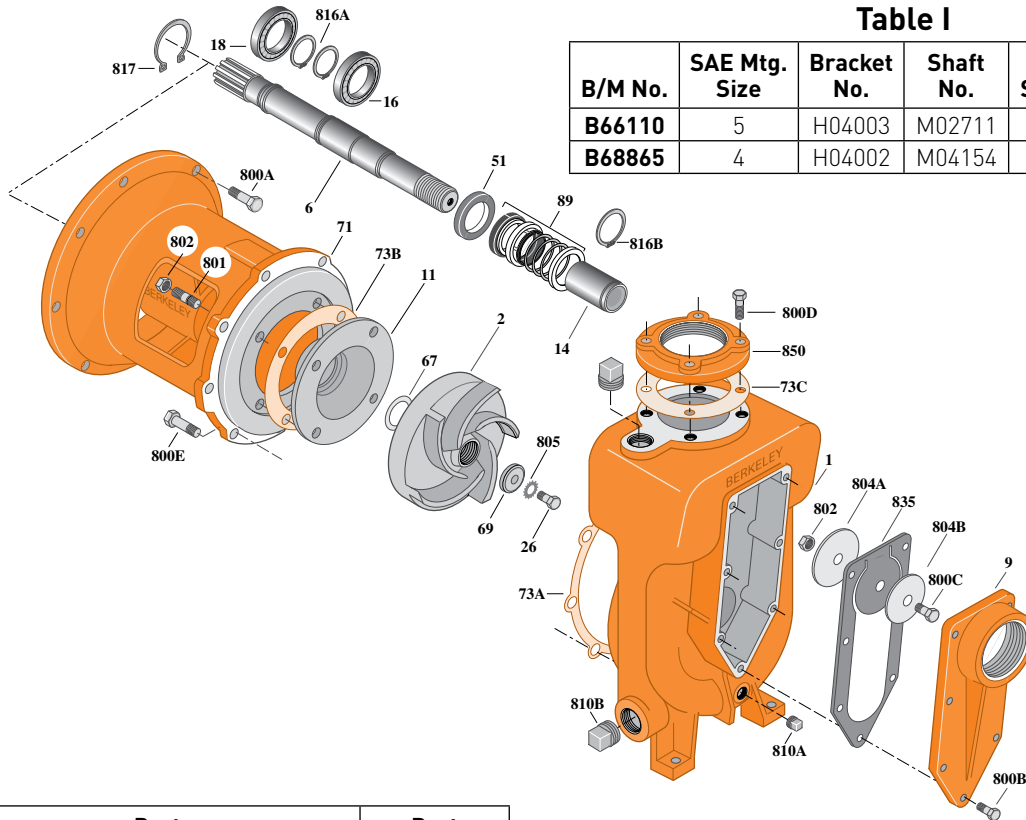


Table I

B/M No.	SAE Mtg. Size	Bracket No.	Shaft No.	Shaft Spline No.	Shaft Ext.
B66110	5	H04003	M02711	1-3/8-10T	2-1/2"
B68865	4	H04002	M04154	1-3/8-10T	3"

Item No.	Part Description	Part Number
1	Case, Volute	H02505
2	Impeller	M08095
6	Shaft	See Table I
9	Cover, Suction	L04108
11	Seal Retainer	M06063
14	Sleeve, Shaft	S39242
16	Bearing, Ball	S13270
18	Bearing, Ball	S14059
26	Screw, Impeller	S23566
51	Seal, Oil	S14762
67	Spacer, Impeller (3 Req.)	S15405
69	Washer, Impeller Lock	S06314
71	Bracket	See Table I
73A	Gasket, Volute	S05126
73B	Gasket, Seal Retainer	S16800
73C	Gasket, Flange	S10364
89	Seal, Mechanical Shaft	S32690
800A	Capscrew, 3/8 - 16 x 1" (7 Req.)	S26826

Item No.	Part Description	Part Number
800B	Capscrew, 3/8 - 16 x 1-1/4" (7 Req.)	S26828
800C	Capscrew, 3/8 - 16 x 3/4" (4 Req.)	S26824
800D	Capscrew, 5/8 - 11 x 1-3/4" (4 Req.)	S27001
800E	Capscrew, 3/8 - 16 x 2-1/4" (8 Req.)	S26825
801	Stud, 3/8 - 16 x 3" (4 Req.)	S23994
802	Nut, Hex 3/8-16 (5 Req.)	S23103
804A	Weight, Clack	S14842
804B	Weight, Clack	S15325
805	Washer, Lock	S23036
810A	Plug, Pipe 1/2 NPT (2 Req.)	S23717
810B	Plug, Pipe 1-1/2 NPT (2 Req.)	S23695
•811	Fitting, Grease	S23700
816A	Ring, Retaining (2 Req.)	S23010
816B	Ring, Retaining	S23009
817	Ring, Retaining	S24652
835	Clack, Rubber	L04119
850	Flange, Blind	S15933

• Not illustrated.

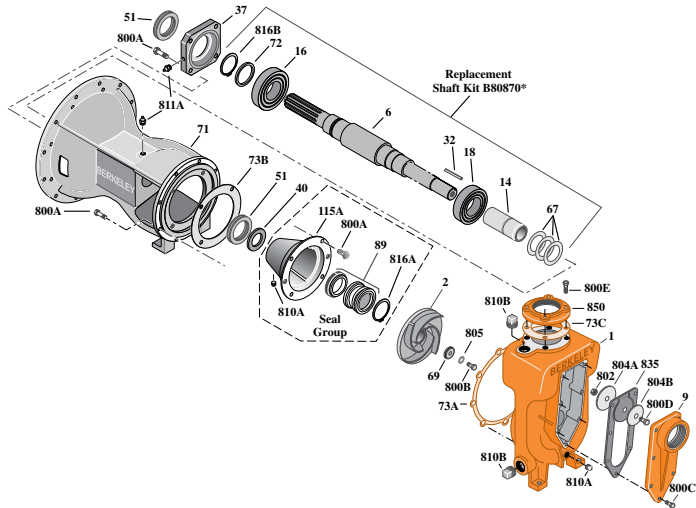


BERKELEY®

B4ZQKLS, B4ZQKHS

SAE ENGINE MOUNT SELF PRIME

Section	SAE/SP
Page	60.1
Date	March 4, 2013
Supersedes 01/01/04	



B4ZQK Common Parts Groups Repair Parts List

Item No.	Part Description	Part Number
1	Volute Case	H02505
6	Shaft, 1-1/2-10T SAE*	M12339
9	Suction Cover	L04108
14	1-3/8 ID x 1-3/4 OD Shaft Sleeve*	M12422
16	Single Row Ball Bearing*	S13395
18	Ball Bearing*	S13397
32	Shaft Key, 1/4" Sq. x 2-1/4" Lg.*	S23677
37	Bearing Cap	M12335
40	Slinger, Water	S10964
51	Grease Seal [2 Req.]*	M12337
69	Lock Washer	S06319
71	Bracket	M12331
72	Thrust Ring	S06519
73A	Volute Gasket	S05126
73B	Balance Ring Gasket	S09943
73C	Flange Gasket	S10364
800A	3/8-16x1" Lg. Hex Hd Capscrew [16 Req.]	S26826
800B	1/2-13x1-1/4" Lg Hex Hd. Capscrew	S23621
800C	3/8-16x1-1/4" Lg. Hex Hd. Capscrew [8 Req.]	S26828
800D	3/8-16x3/4" Capscrew	S26824

Item No.	Part Description	Part Number
800E	5/8-11x1-1/4" Lg. Hex Hd. Capscrew [4 Req.]	S27001
802	Clack Nut, Hex 3/8-16	S23103
804A	Clack Weight	S14842
804B	Clack Weight	S15325
805	Lock Washer	S23038
810A	1/2" NPT Pipe Plug	S23717
810B	1-1/2" NPT Pipe Plug [2 Req.]	S23695
811A	Grease Fitting [2 Req.]	S23700
816B	External Retaining Ring*	S23016
835	Rubber Clack	L04119
850	Blind Flange	S15933

Seal Components

Item No.	Part Description	Part Number
89	Packing Housing	S32015
115A	3/8-16NCx2-1/2" Lg. Stud [2 Req.]	M12333
810A	3/8-16 Hex Nut [2 Req.]	S23714
816A	1/8 MPTx90° Grease Fitting	S16767

* Sold only in Shaft Repair Kit B80870.

Refer to following page for model specific repair parts listing.



BERKELEY®

B4ZQKLS, B4ZQKHS

SAE ENGINE MOUNT SELF PRIME

Section	SAE/SP
Page	60.2
Date	March 4, 2013
Supersedes 01/01/02	

B4ZQKLS + HS Series 1-1/2x10T, SAE 4 & 5

Pump Series	Catalog Number	SAE	Impeller	Replacement Shaft Kit	Replacement Coupling	Clutch Size
B4ZQKLS Mechanical Seal Construction	B82380	4/5	M13762	B80870	B80828	7.5"
	B82381	4/5			B80829	6.5"
	B82382	4/5			B77599	10"
	B82383	4/5			B80827	8"
B4ZQKHS Mechanical Seal Construction	B82376	4/5	M13644	B80870	B80828	7.5"
	B82377	4/5			B80829	6.5"
	B82378	4/5			B77599	10"
	B82379	4/5			B80827	8"