

BERKELEY® B4ZPKS

Cast Iron Impeller

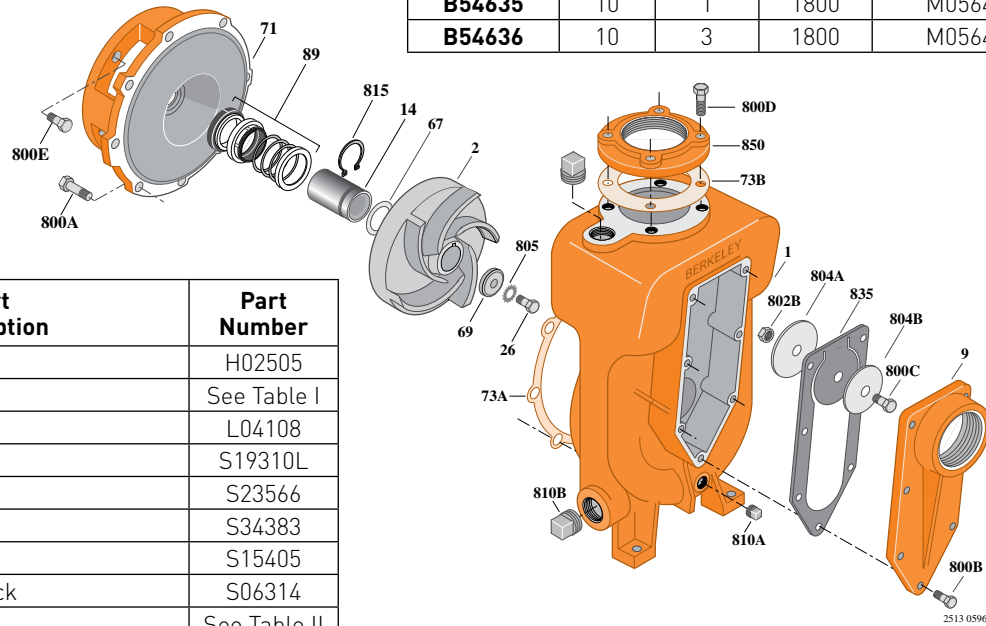
Threaded Case (NPT), Mechanical Seal Construction

ELECTRIC MOTOR DRIVE SELF PRIME

Section	CC/SP
Page	50.1
Date	March 4, 2013
Supersedes 01/01/04	

Table I

B/M No.	HP	PH	RPM	Imp. No.
B58449	5	1	1800	M07561
B58450	5	3	1800	M07561
B54633	7.5	1	1800	M05639
B54634	7.5	3	1800	M05639
B54635	10	1	1800	M05640
B54636	10	3	1800	M05640



Item No.	Part Description	Part Number
1	Case, Volute	H02505
2	Impeller	See Table I
9	Cover, Suction	L04108
14	Sleeve, Shaft	S19310L
26	Screw, Impeller	S23566
32	Key, 3/16 x 1-1/4"	S34383
67	Spacer, Impeller	S15405
69	Washer, Impeller Lock	S06314
71	Bracket	See Table II
73A	Gasket, Volute	S05126
73B	Gasket, Blind	S10364
89	Seal, Mechanical Shaft	S32014
800A	Capscrew, 3/8 - 16 x 1" [8 Req.]	S26826
800B	Capscrew, 3/8 - 16 x 1-1/4" [7 Req.]	S26828
800C	Capscrew, 3/8 - 16 x 1"	S26824
800D	Capscrew, 5/8 - 11 x 1-3/4" [4 Req.]	S27001
800E	Capscrew, 3/8 - 16 x 1-1/8" 4-1/2 AK [4 Req.]	S26827
800E	Capscrew, 1/2 - 13 x 1" 8-1/2 AK [4 Req.]	S26912
802	Nut, Hex 3/8 - 16	S23103
804A	Weight, Clack	S14842
804B	Weight, Clack	S15325
805	Washer, Lock	S23036
810A	Plug, Pipe 1/4 NPT	S23717
810B	Plug, Pipe 1-1/4 NPT	S23695
815	Ring, Retaining	S11207
835	Clack, Rubber	L04119
850	Flange, Companion	S15933

Table II

HP	PH	Bracket No.	"AK" Fit	"U" Dim.	Motor Frame
5	1	L05331	8-1/2"	7/8"	213JM
5	3	L05332	4-1/2"	7/8"	184JM
7.5	1	L05331	8-1/2"	7/8"	215JM
7.5	3	L05331	8-1/2"	7/8"	213JM
10	1	L05331	8-1/2"	7/8"	215JM
10	3	L05331	8-1/2"	7/8"	215JM

NOTE: For an explanation of the tabulated material found on this page and for impeller key location, refer to **Supplement A** located at the beginning of section **CC**.

