

BERKELEY® B4ZPBH

Cast Iron Impeller

Flanged Case, Packing Construction

ELECTRIC MOTOR DRIVE

Section	CC
Page	247.1
Date	March 4, 2013
Supersedes 09/17/10	

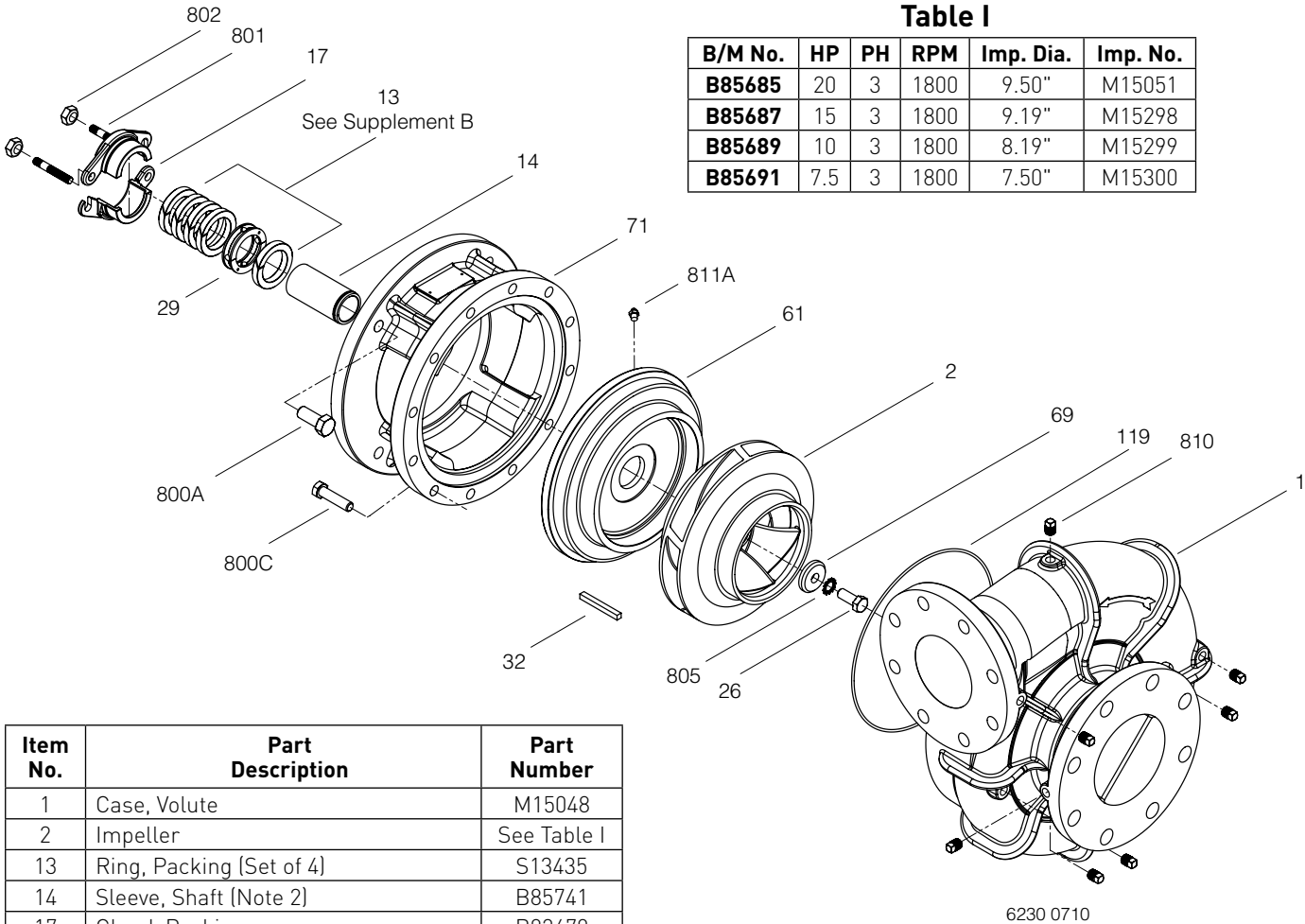


Table I

B/M No.	HP	PH	RPM	Imp. Dia.	Imp. No.
B85685	20	3	1800	9.50"	M15051
B85687	15	3	1800	9.19"	M15298
B85689	10	3	1800	8.19"	M15299
B85691	7.5	3	1800	7.50"	M15300

Item No.	Part Description	Part Number
1	Case, Volute	M15048
2	Impeller	See Table I
13	Ring, Packing (Set of 4)	S13435
14	Sleeve, Shaft (Note 2)	B85741
17	Gland, Packing	B82470
26	Screw, Impeller	S23621
29	Ring, Lantern	S19200
32	Key, 1/4" X 2-1/4"	S23677
61	Plate, Seal	M15047
69	Washer, Impeller	S06319
71	Bracket	M15044
119	O-Ring	M15099
800A	Screw, 1/2-13NC X 1-1/2" LG CRS (4 rqd)	S26916
800C	Screw, 1/2-13NC X 2" LG CRS (12 rqd)	S26920
801	Stud, 3/8-16NC X 2-1/2" LG 416SS (2 rqd)	S04438
802	Nut, Hex, Lock 3/8-16 SS (2 rqd)	M13771
805	Washer, Lock	S23038
810	Plug, Pipe	S23715
811A	Fitting, Grease	S23700

Table II

HP	PH	Bracket No.	"AK" Fit	"U" Dim.	Motor Frame
20	3	M15044	8-1/2"	1-1/4"	256JP
15	3	M15044	8-1/2"	1-1/4"	254JP
10	3	M15044	8-1/2"	1-1/4"	215JP
7.5	3	M15044	8-1/2"	1-1/4"	213JP

NOTE 1: Impeller kit **B85754** includes items 26, 32, 69, 119, 805.

NOTE 2: Shaft sleeve kit **B85741** includes item 14, adhesive and instruction sheet.



BERKELEY® B4ZPBHS

Cast Iron Impeller

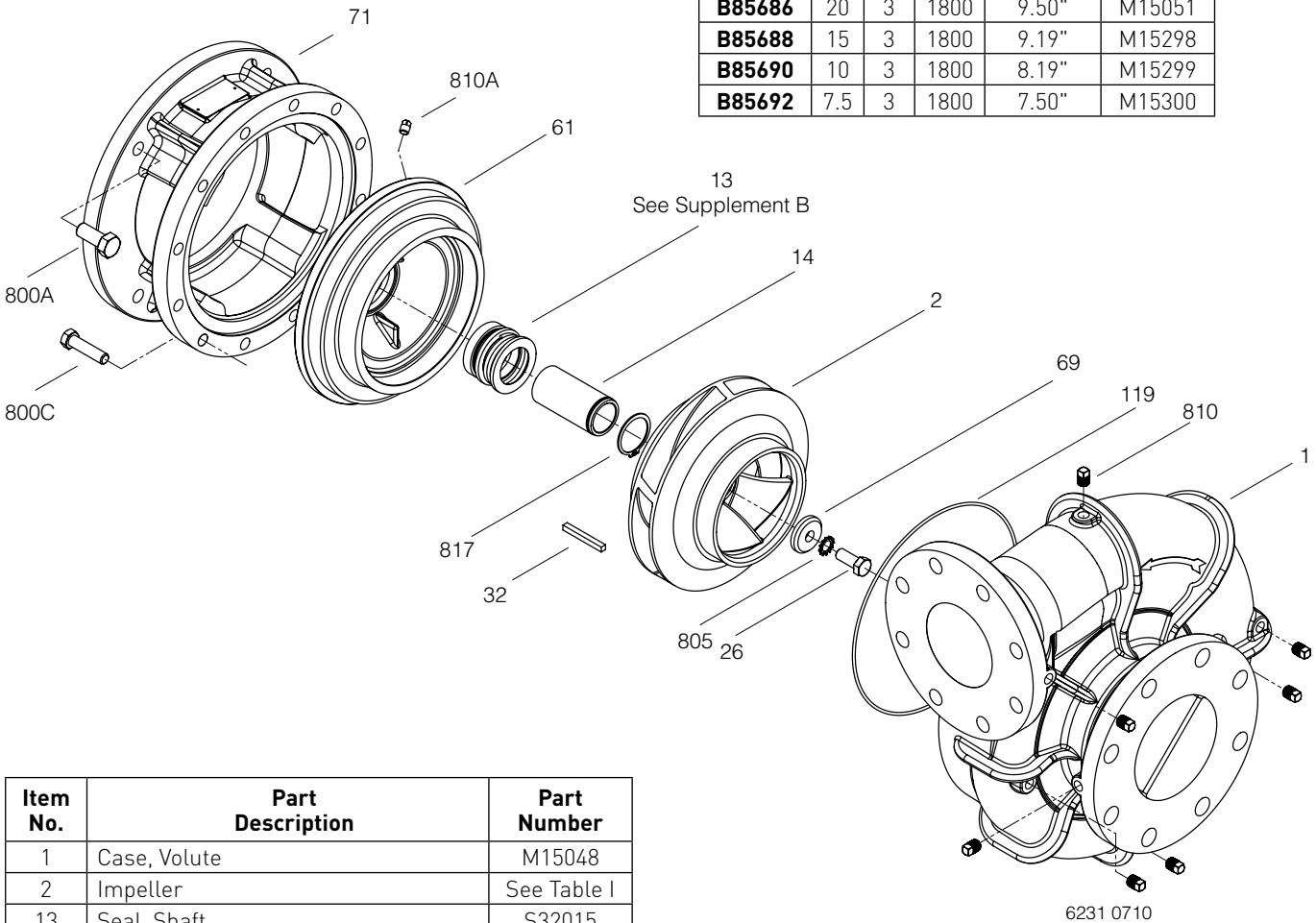
Flanged Case, Mechanical Shaft Seal Construction

ELECTRIC MOTOR DRIVE

Section	CC
Page	247.2
Date	March 4, 2013
Supersedes 08/17/10	

Table I

B/M No.	HP	PH	RPM	Imp. Dia.	Imp. No.
B85686	20	3	1800	9.50"	M15051
B85688	15	3	1800	9.19"	M15298
B85690	10	3	1800	8.19"	M15299
B85692	7.5	3	1800	7.50"	M15300



Item No.	Part Description	Part Number
1	Case, Volute	M15048
2	Impeller	See Table I
13	Seal, Shaft	S32015
14	Sleeve, Shaft (Note 2)	B85741
26	Screw, Impeller	S23621
32	Key, 1/4" X 2-1/4"	S23677
61	Plate, Seal	M15046
69	Washer, Impeller	S06319
71	Bracket	M15044
119	O-Ring	M15099
800A	Screw, 1/2-13NC X 1-1/2 LG CRS [4 rqd]	S26916
800C	Screw, 1/2-13NC X 2 LG CRS [12 rqd]	S26920
805	Washer, Lock	S23038
810	Plug, Pipe	S23715
810A	Plug, Pipe	U78-56ZPS
817	Ring, Retaining	S16767

Table II

HP	PH	Bracket No.	"AK" Fit	"U" Dim.	Motor Frame
20	3	M15044	8-1/2"	1-1/4"	256JP
15	3	M15044	8-1/2"	1-1/4"	254JP
10	3	M15044	8-1/2"	1-1/4"	215JP
7.5	3	M15044	8-1/2"	1-1/4"	213JP

NOTE 1: Impeller kit **B85754** includes items 26, 32, 69, 119, 805.

NOTE 2: Shaft sleeve kit **B85741** includes item 14, adhesive and instruction sheet.

