

BERKELEY® B4TQKHS

Cast Iron Impeller

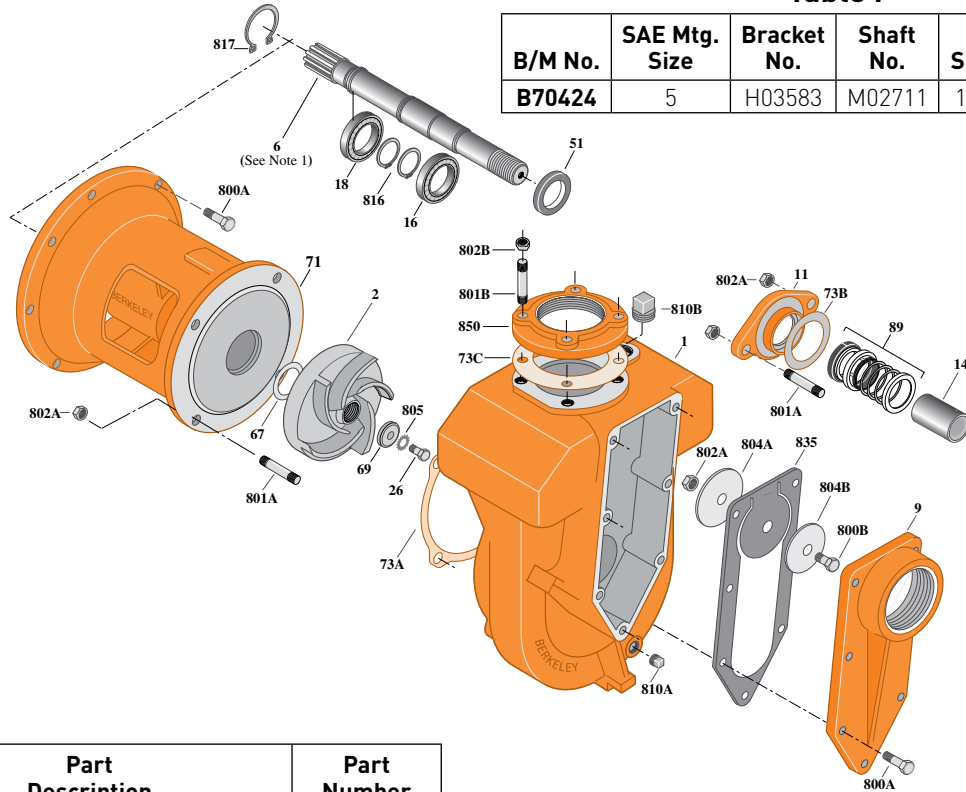
Threaded Case (NPT), Mechanical Seal Construction

SAE ENGINE MOUNT SELF PRIME

Section	SAE/SP
Page	30.1
Date	March 4, 2013
Supersedes 01/01/04	

Table I

B/M No.	SAE Mtg. Size	Bracket No.	Shaft No.	Shaft Spline No.	Shaft Ext.
B70424	5	H03583	M02711	1-3/8-10T	2-1/2"



Item No.	Part Description	Part Number
1	Case, Volute	H02550
2	Impeller	M06998
6	Shaft	See Table I
9	Cover, Suction	L04108
11	Seal Retainer	S05993
14	Sleeve, Shaft	S05127
16	Bearing, Ball	S13270
18	Bearing, Ball	S14059
26	Screw, Impeller	S23566
51	Seal, Oil	S14762
67	Spacer, Impeller	S15405
69	Washer, Impeller Lock	S06314
71	Bracket	See Table I
73A	Gasket, Volute	S04757
73B	Gasket, Seal Retainer	S08911
73C	Gasket, Flange	S10364
89	Seal, Mechanical Shaft	S32689
800A	Capscrew, 3/8 - 16 x 1-1/4" [15 Req.]	S26828
800B	Capscrew, 3/8 - 16 x 3/4" [1 Req.]	S26824

Item No.	Part Description	Part Number
801A	Stud, 3/8 - 16 x 3" [6 Req.]	S24001
801B	Stud, 5/8 - 11 x 2-1/2" [4 Req.]	S24062
802A	Nut, Hex 3/8-16 [7 Req.]	S23103
802B	Nut, Hex 5/8-11 [4 Req.]	S23109
804A	Weight, Clack	S14842
804B	Weight, Clack	S15325
805	Washer, Lock	S23036
810A	Plug, Pipe 1/2 NPT	S23717
810B	Plug, Pipe 1-1/4 NPT	S23694
•811	Fitting, Grease	S23700
816	Ring, Retaining [2 Req.]	S23010
817	Ring, Retaining	S24652
835	Clack, Rubber	L04119
850	Flange, Blind	S15933

• Not illustrated.

NOTE 1: Shaft kit available for this model, **P/N B71878**. Refer to **Supplement C**, section **SAE** for list of components included with kit.

