

BERKELEY® B4JPBH

Cast Iron Impeller

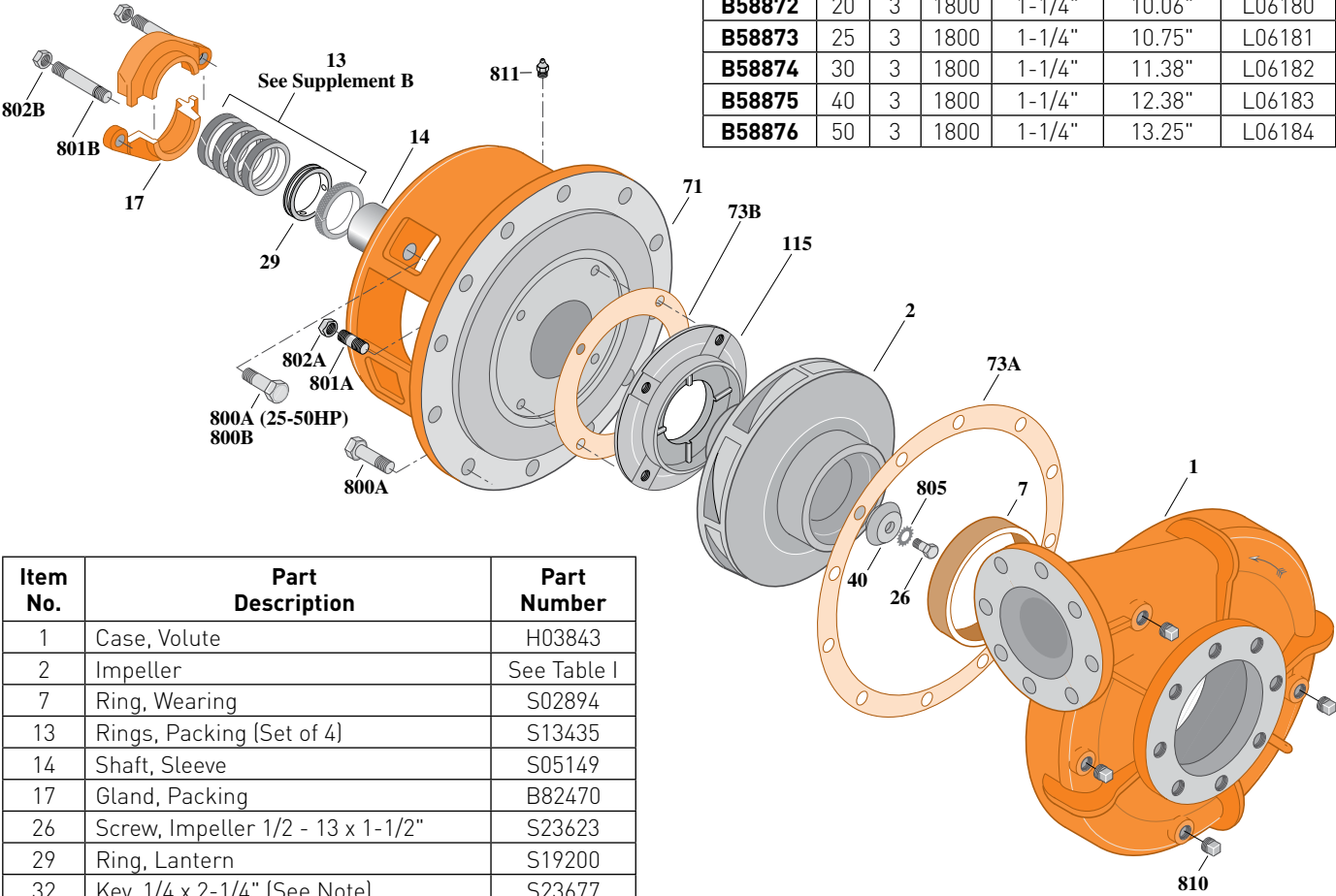
Flanged Case, Packing Construction

ELECTRIC MOTOR DRIVE

Section	CC
Page	270.1
Date	March 4, 2013
Supersedes 01/01/04	

Table I

B/M No.	HP	PH	RPM	"U" Dim.	Imp. Dia.	Imp. No.
B58872	20	3	1800	1-1/4"	10.06"	L06180
B58873	25	3	1800	1-1/4"	10.75"	L06181
B58874	30	3	1800	1-1/4"	11.38"	L06182
B58875	40	3	1800	1-1/4"	12.38"	L06183
B58876	50	3	1800	1-1/4"	13.25"	L06184



Item No.	Part Description	Part Number
1	Case, Volute	H03843
2	Impeller	See Table I
7	Ring, Wearing	S02894
13	Rings, Packing [Set of 4]	S13435
14	Shaft, Sleeve	S05149
17	Gland, Packing	B82470
26	Screw, Impeller 1/2 - 13 x 1-1/2"	S23623
29	Ring, Lantern	S19200
32	Key, 1/4 x 2-1/4" [See Note]	S23677
40	Deflector	S19275
71	Bracket	See Table II
73A	Gasket, Volute	S06271
73B	Gasket, Balance Ring	S09943
115	Ring, Balance	S12315
800A	Capscrew, 5/8 - 11 x 1-1/2" [12 Req.]	S26999
800B	Capscrew, 1/2 - 13 x 1-1/2" [4 Req.]	S26916
801A	Stud, 3/8 - 16 x 1-3/4" [4 Req.]	S23996
801B	Stud, 3/8 - 16 x 2-1/2" [2 Req.]	S04438
802A	Nut, Hex 3/8 - 16 [4 Req.]	S23103
802B	Nut, Hex 3/8 - 16 [2 Req.]	S23343
805	Washer, Lock	S23038
810	Plug, Pipe 1/2 NPT [4 Req.]	S23717
811	Fitting, Grease	S23700
812	Elbow, Street	S25421

Table II

HP	PH	Bracket No.	"AK" Fit	"U" Dim.	Motor Frame
20	3	H02384	8-1/2"	1-1/4"	256JP
25	3	H01601	12-1/2"	1-1/4"	284JP
30	3	H01601	12-1/2"	1-1/4"	286JP
40	3	H01601	12-1/2"	1-1/4"	324JP
50	3	H01601	12-1/2"	1-1/4"	326JP

NOTE: For an explanation of the tabulated material found on this page and for impeller key location, refer to **Supplement A** located at the beginning of this section.



BERKELEY® B4JPBHS

Cast Iron Impeller

Flanged Case, Mechanical Shaft Seal Construction

ELECTRIC MOTOR DRIVE

Section	CC
Page	270.2
Date	March 4, 2013
Supersedes 01/01/04	

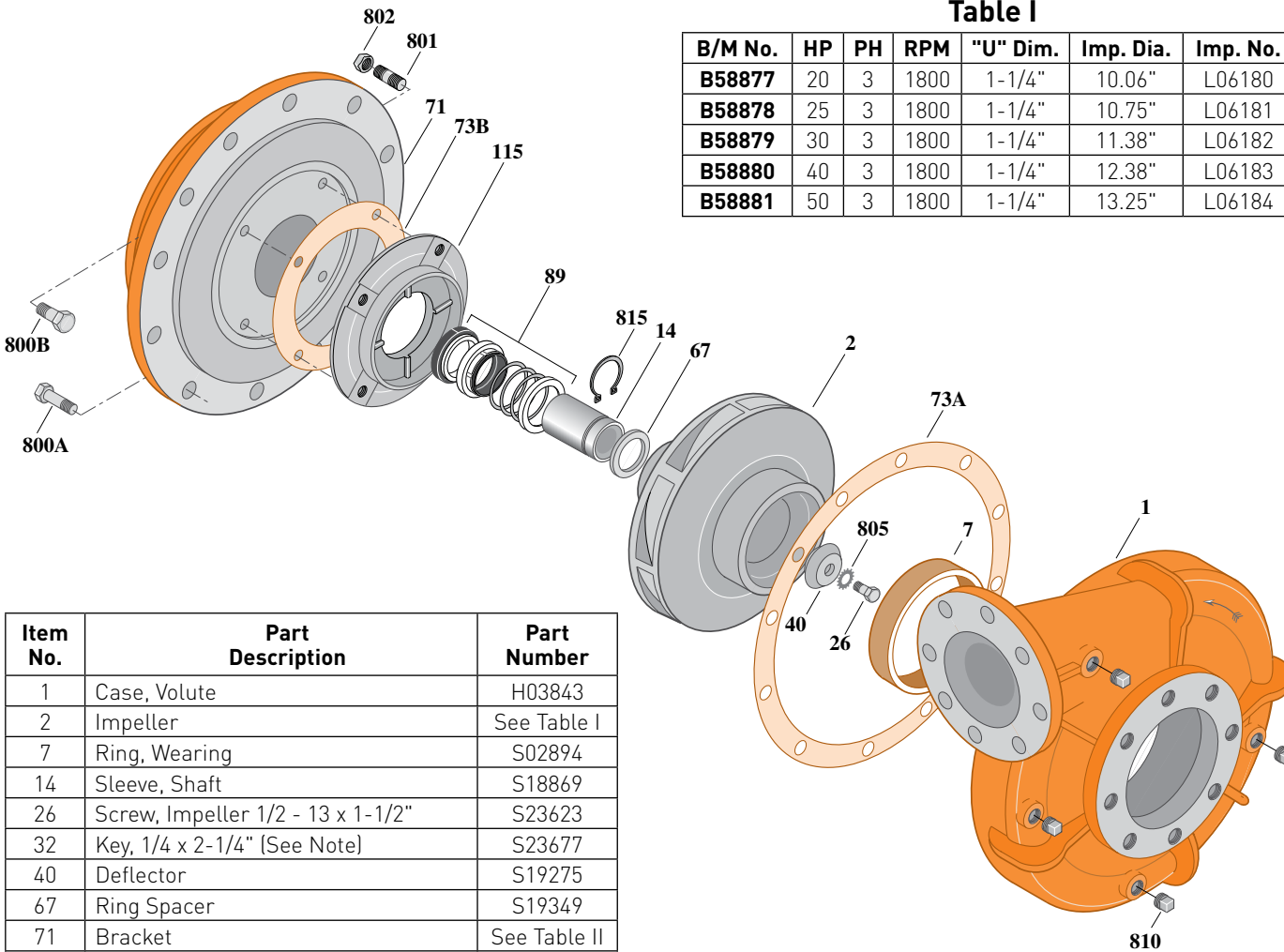


Table I

B/M No.	HP	PH	RPM	"U" Dim.	Imp. Dia.	Imp. No.
B58877	20	3	1800	1-1/4"	10.06"	LO6180
B58878	25	3	1800	1-1/4"	10.75"	LO6181
B58879	30	3	1800	1-1/4"	11.38"	LO6182
B58880	40	3	1800	1-1/4"	12.38"	LO6183
B58881	50	3	1800	1-1/4"	13.25"	LO6184

Item No.	Part Description	Part Number
1	Case, Volute	H03843
2	Impeller	See Table I
7	Ring, Wearing	S02894
14	Sleeve, Shaft	S18869
26	Screw, Impeller 1/2 - 13 x 1-1/2"	S23623
32	Key, 1/4 x 2-1/4" [See Note]	S23677
40	Deflector	S19275
67	Ring Spacer	S19349
71	Bracket	See Table II
73A	Gasket, Volute Case	S06271
73B	Gasket, Balance Ring	S09943
89	Seal, Mechanical Shaft	S32015
115	Ring, Balance	S19105
800A	Capscrew, 5/8 - 11 x 1-1/2" (12 Req.) [8-1/2 AK]	S26999
800A	Capscrew, 5/8 - 11 x 1-1/2" (16 Req.) [12-1/2 AK]	S26999
800B	Capscrew, 1/2 - 13 x 1-1/2" (4 Req.) [8-1/2 AK Only]	S26916
801	Stud, 3/8 - 16 x 1-3/8" [4 Req.]	S09942
802	Nut, 3/8 - 16 [4 Req.]	S23103
805	Washer, Lock	S23038
810	Plug, Pipe 1/2 NPT [4 Req.]	S23717
815	Ring, Retaining	S16767

Table II

HP	PH	Bracket No.	"AK" Fit	"U" Dim.	Motor Frame
20	3	H03300	8-1/2"	1-1/4"	256JM
25	3	H03301	12-1/2"	1-1/4"	284JM
30	3	H03301	12-1/2"	1-1/4"	286JM
40	3	H03301	12-1/2"	1-1/4"	324JM
50	3	H03301	12-1/2"	1-1/4"	326JM

NOTE: For an explanation of the tabulated material found on this page and for impeller key location, refer to **Supplement A** located at the beginning of this section.



BERKELEY® B4JPBH

Bronze Impeller

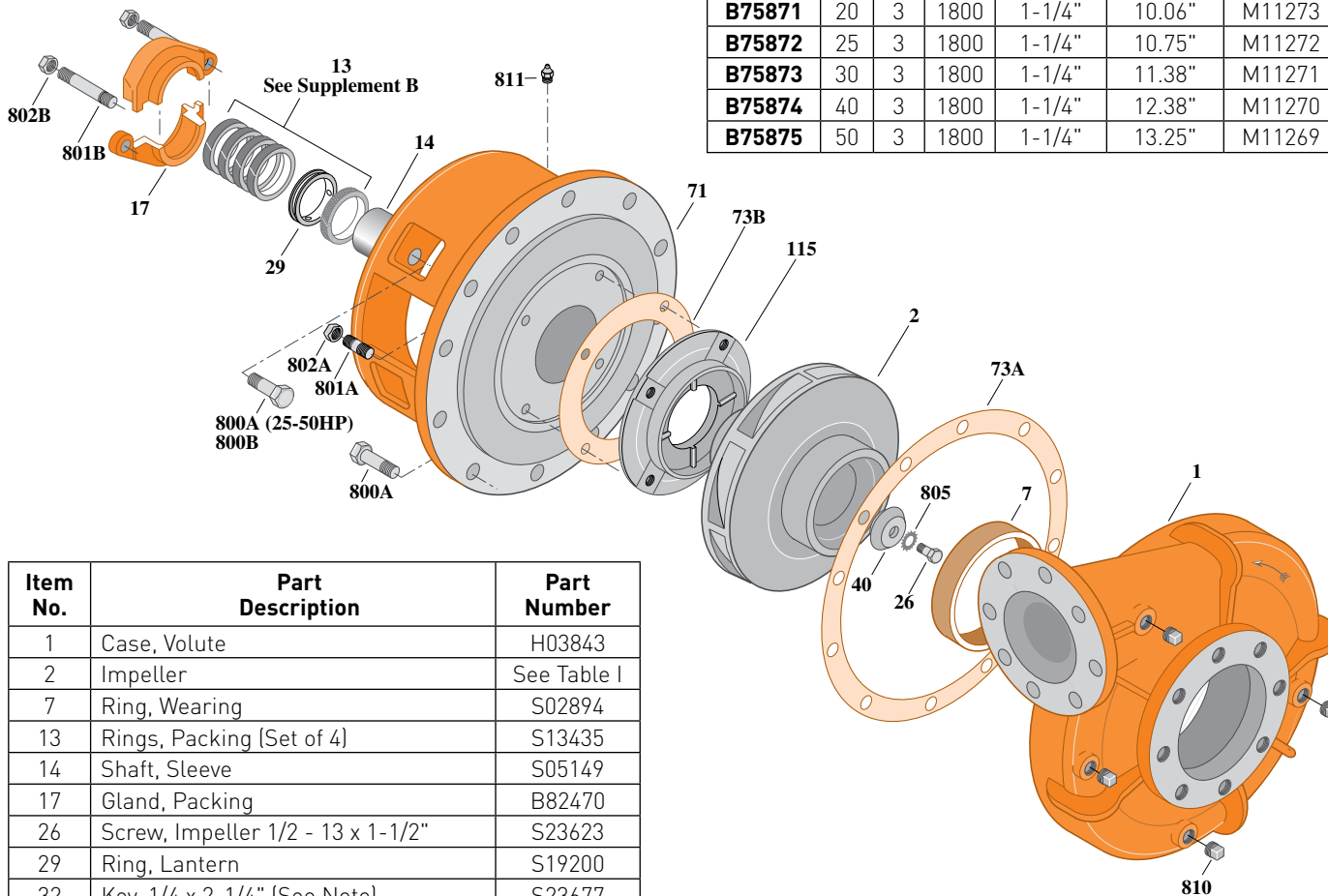
Flanged Case, Packing Construction

ELECTRIC MOTOR DRIVE

Section	CC
Page	270.2.1
Date	March 4, 2013
Supersedes 01/01/04	

Table I

B/M No.	HP	PH	RPM	"U" Dim.	Imp. Dia.	Imp. No.
B75871	20	3	1800	1-1/4"	10.06"	M11273
B75872	25	3	1800	1-1/4"	10.75"	M11272
B75873	30	3	1800	1-1/4"	11.38"	M11271
B75874	40	3	1800	1-1/4"	12.38"	M11270
B75875	50	3	1800	1-1/4"	13.25"	M11269



Item No.	Part Description	Part Number
1	Case, Volute	H03843
2	Impeller	See Table I
7	Ring, Wearing	S02894
13	Rings, Packing [Set of 4]	S13435
14	Shaft, Sleeve	S05149
17	Gland, Packing	B82470
26	Screw, Impeller 1/2 - 13 x 1-1/2"	S23623
29	Ring, Lantern	S19200
32	Key, 1/4 x 2-1/4" [See Note]	S23677
40	Deflector	S19275
71	Bracket	See Table II
73A	Gasket, Volute	S06271
73B	Gasket, Balance Ring	S09943
115	Ring, Balance	S12315
800A	Capscrew, 5/8 - 11 x 1-1/2" [12 Req.]	S26999
800B	Capscrew, 1/2 - 13 x 1-1/2" [4 Req.]	S26916
801A	Stud, 3/8 - 16 x 1-3/4" [4 Req.]	S23996
801B	Stud, 3/8 - 16 x 2-1/2" [2 Req.]	S04438
802A	Nut, Hex 3/8 - 16 [4 Req.]	S23103
802B	Nut, Hex 3/8 - 16 [2 Req.]	S23343
805	Washer, Lock	S23038
810	Plug, Pipe 1/2 NPT [4 Req.]	S23717
811	Fitting, Grease	S23700
812	Elbow, Street	S25421

Table II

HP	PH	Bracket No.	"AK" Fit	"U" Dim.	Motor Frame
20	3	H02384	8-1/2"	1-1/4"	256JP
25	3	H01601	12-1/2"	1-1/4"	284JP
30	3	H01601	12-1/2"	1-1/4"	286JP
40	3	H01601	12-1/2"	1-1/4"	324JP
50	3	H01601	12-1/2"	1-1/4"	326JP

NOTE: For an explanation of the tabulated material found on this page and for impeller key location, refer to **Supplement A** located at the beginning of this section.



BERKELEY® B4JPBHS

Bronze Impeller

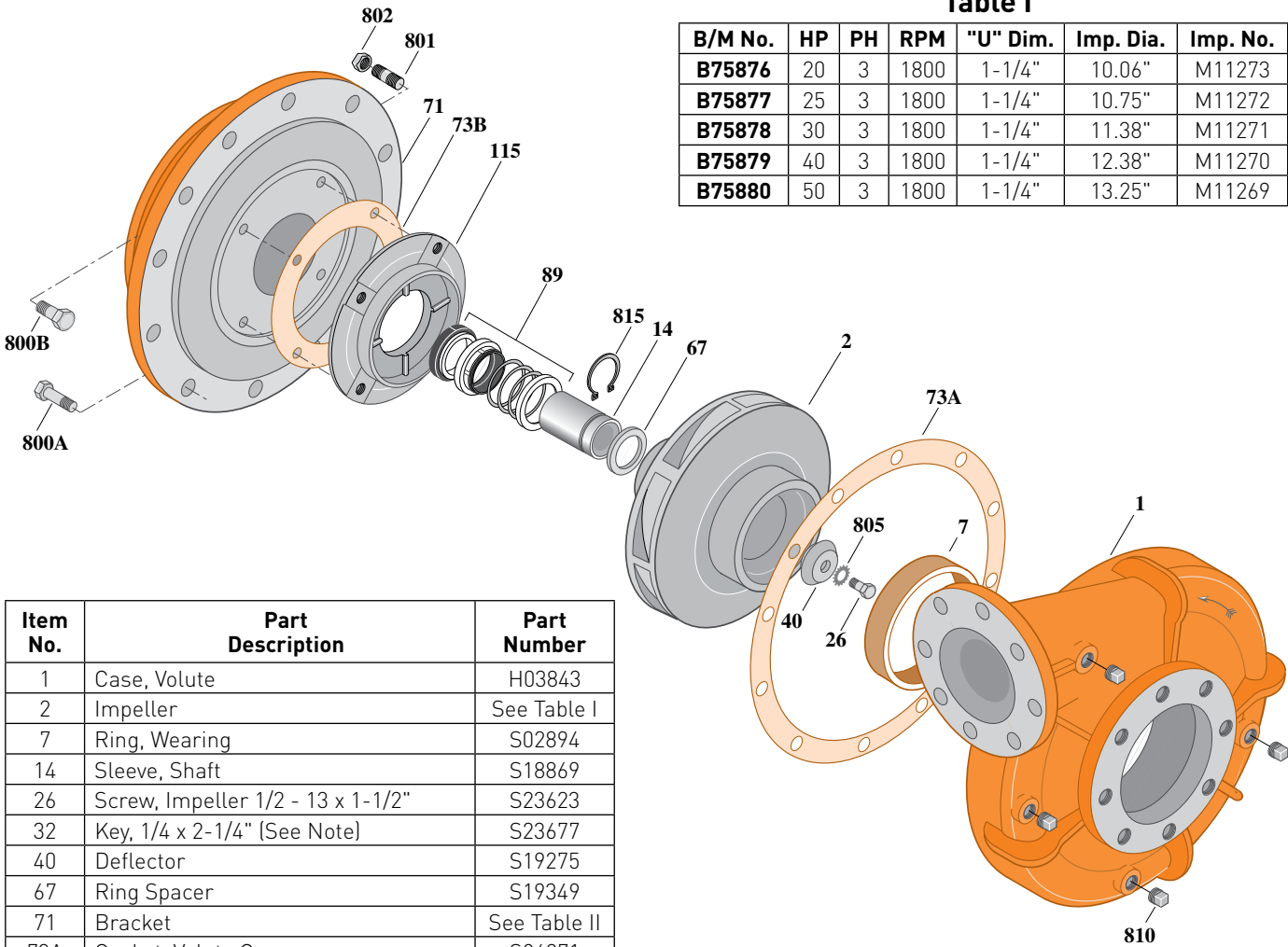
Flanged Case, Mechanical Shaft Seal Construction

ELECTRIC MOTOR DRIVE

Section	CC
Page	270.2.2
Date	March 4, 2013
Supersedes 01/01/04	

Table I

B/M No.	HP	PH	RPM	"U" Dim.	Imp. Dia.	Imp. No.
B75876	20	3	1800	1-1/4"	10.06"	M11273
B75877	25	3	1800	1-1/4"	10.75"	M11272
B75878	30	3	1800	1-1/4"	11.38"	M11271
B75879	40	3	1800	1-1/4"	12.38"	M11270
B75880	50	3	1800	1-1/4"	13.25"	M11269



Item No.	Part Description	Part Number
1	Case, Volute	H03843
2	Impeller	See Table I
7	Ring, Wearing	S02894
14	Sleeve, Shaft	S18869
26	Screw, Impeller 1/2 - 13 x 1-1/2"	S23623
32	Key, 1/4 x 2-1/4" [See Note]	S23677
40	Deflector	S19275
67	Ring Spacer	S19349
71	Bracket	See Table II
73A	Gasket, Volute Case	S06271
73B	Gasket, Balance Ring	S09943
89	Seal, Mechanical Shaft	S32015
115	Ring, Balance	S19105
800A	Capscrew, 5/8 - 11 x 1-1/2" [12 Req.] [8-1/2 AK]	S26999
800A	Capscrew, 5/8 - 11 x 1-1/2" [16 Req.] [12-1/2 AK]	S26999
800B	Capscrew, 1/2 - 13 x 1-1/2" [4 Req.] [8-1/2 AK Only]	S26916
801	Stud, 3/8 - 16 x 1-3/8" [4 Req.]	S09942
802	Nut, 3/8 - 16 [4 Req.]	S23103
805	Washer, Lock	S23038
810	Plug, Pipe 1/2 NPT [4 Req.]	S23717
815	Ring, Retaining	S16767

Table II

HP	PH	Bracket No.	"AK" Fit	"U" Dim.	Motor Frame
20	3	H03300	8-1/2"	1-1/4"	256JM
25	3	H03301	12-1/2"	1-1/4"	284JM
30	3	H03301	12-1/2"	1-1/4"	286JM
40	3	H03301	12-1/2"	1-1/4"	324JM
50	3	H03301	12-1/2"	1-1/4"	326JM

NOTE: For an explanation of the tabulated material found on this page and for impeller key location, refer to **Supplement A** located at the beginning of this section.



BERKELEY® B4JPBHH

Cast Iron Impeller

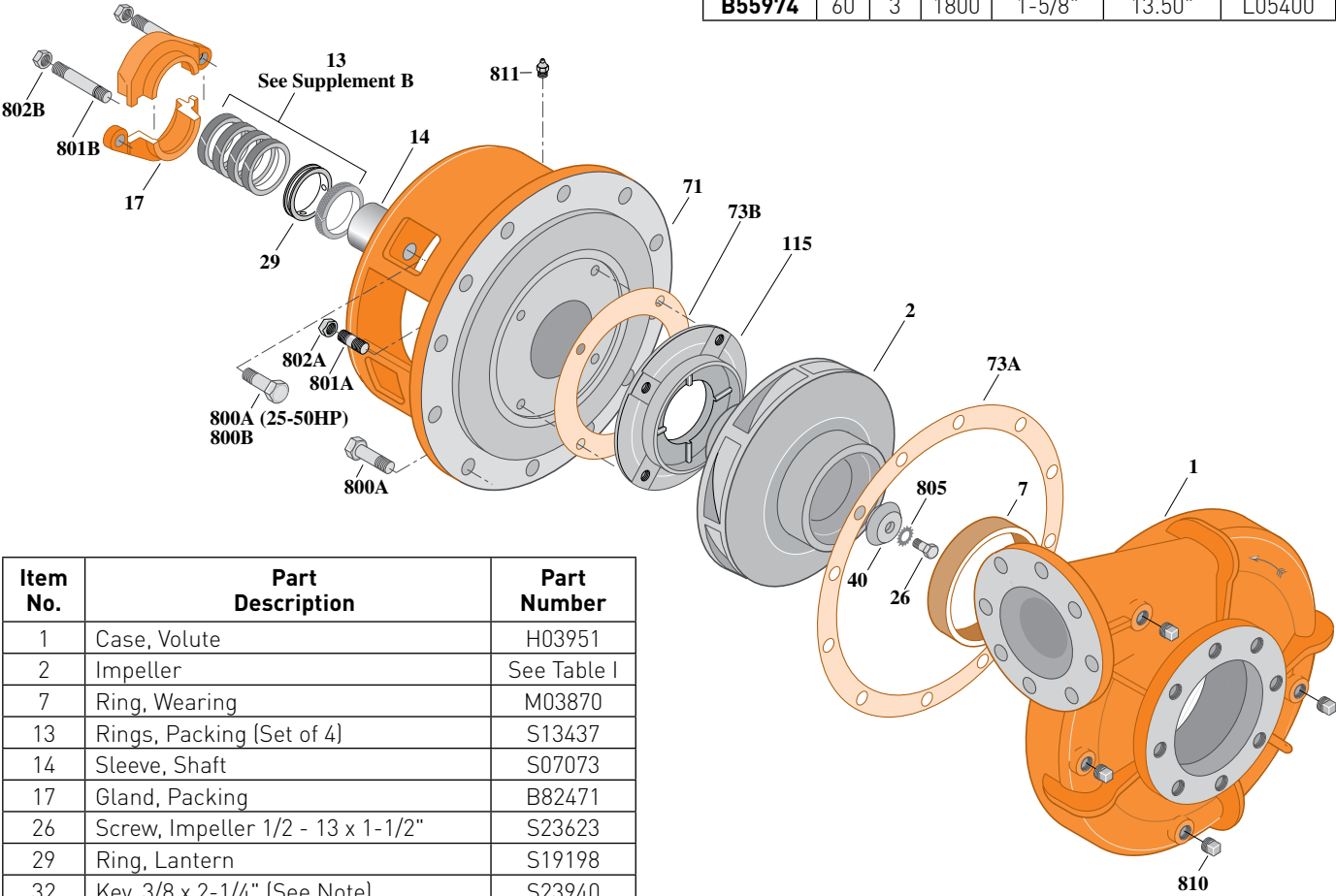
Flanged Case, Packing Construction

ELECTRIC MOTOR DRIVE

Section	CC
Page	270.3
Date	March 4, 2013
Supersedes 01/01/04	

Table I

B/M No.	HP	PH	RPM	"U" Dim.	Imp. Dia.	Imp. No.
B55974	60	3	1800	1-5/8"	13.50"	L05400



1770 0495

Item No.	Part Description	Part Number
1	Case, Volute	H03951
2	Impeller	See Table I
7	Ring, Wearing	M03870
13	Rings, Packing [Set of 4]	S13437
14	Sleeve, Shaft	S07073
17	Gland, Packing	B82471
26	Screw, Impeller 1/2 - 13 x 1-1/2"	S23623
29	Ring, Lantern	S19198
32	Key, 3/8 x 2-1/4" [See Note]	S23940
40	Deflector	S18801
71	Bracket	See Table II
73A	Gasket, Volute	S06271
73B	Gasket, Balance Ring	S09943
115	Ring, Balance	S19521
800A	Capscrew, 5/8 - 11 x 1-1/2" [12 Req.]	S26999
800B	Capscrew, 5/8 - 11 x 1-3/4" [4 Req.]	S27001
801A	Stud, 3/8 - 16 x 1-3/4" [4 Req.]	S23996
801B	Stud, 3/8 - 16 x 2-1/2" [2 Req.]	S04438
802A	Nut, Hex 3/8 - 16 [4 Req.]	S23103
802B	Nut, Hex 3/8 - 16 [2 Req.]	S23343
805	Washer, Lock	S23038
810	Plug, Pipe 1/2 NPT [4 Req.]	S23717
811	Fitting, Grease	S23700
812	Elbow, Street	S25421

Table II

HP	PH	Bracket No.	"AK" Fit	"U" Dim.	Motor Frame
60	3	H03622	12-1/2"	1-5/8"	364JP

NOTE: For an explanation of the tabulated material found on this page and for impeller key location, refer to **Supplement A** located at the beginning of this section.



BERKELEY® B4JPBHHS

ELECTRIC MOTOR DRIVE

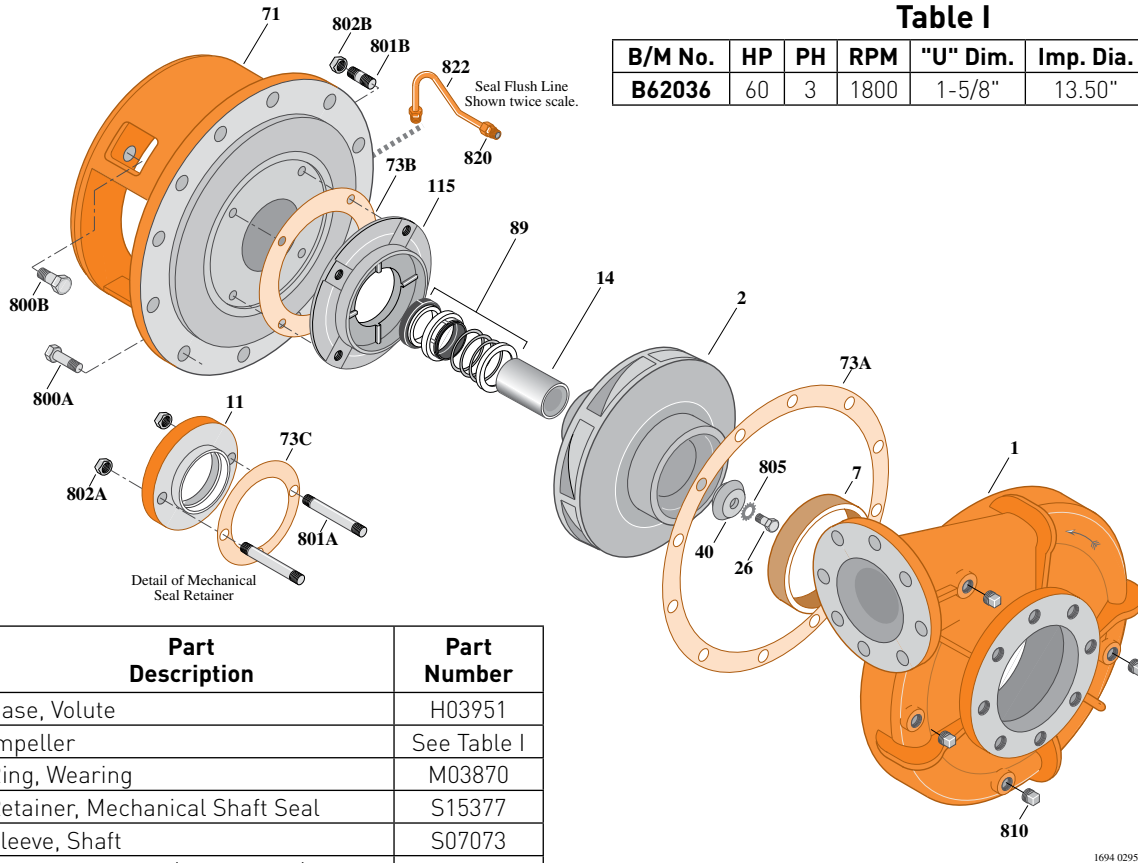
Cast Iron Impeller

Flanged Case, Mechanical Shaft Seal Construction

Section	CC
Page	270.4
Date	March 4, 2013
Supersedes 01/01/04	

Table I

B/M No.	HP	PH	RPM	"U" Dim.	Imp. Dia.	Imp. No.
B62036	60	3	1800	1-5/8"	13.50"	L05400



Item No.	Part Description	Part Number
1	Case, Volute	H03951
2	Impeller	See Table I
7	Ring, Wearing	M03870
11	Retainer, Mechanical Shaft Seal	S15377
14	Sleeve, Shaft	S07073
26	Screw, Impeller 1/2 - 13 x 1-1/2"	S23623
32	Key, 3/8 x 2-1/4" [See Note]	S23940
40	Deflector	S18801
71	Bracket	See Table II
73A	Gasket, Volute Case	S06271
73B	Gasket, Balance Ring	S09943
73C	Gasket, Seal Retainer	S15078
89	Seal, Mechanical Shaft	S32016
115	Ring, Balance	S19521
800A	Capscrew, 5/8 - 11 x 1-1/2" [12 Req.]	S26999
800B	Capscrew, 5/8 - 11 x 1-3/4" [4 Req.]	S27001
801A	Stud, 3/8 - 16 x 2-1/2" [2 Req.]	S04438
802A	Nut, 3/8 - 16	S23343
801B	Stud, 3/8 - 16 x 1-3/4" [4 Req.]	S23996
802B	Nut, 3/8 - 16 [4 Req.]	S23013
805	Washer, Lock	S23038
810	Plug, Pipe 1/2 NPT	S23717
820	Connector, Comp. Fitting [2 Req.]	S24013
822	Tubing, Copper	S20677
•	Plug, Pipe 1/8 NPT [Not Illustrated]	S23714

Table II

HP	PH	Bracket No.	"AK" Fit	"U" Dim.	Motor Frame
60	3	H03936	12-1/2"	1-5/8"	364JP

NOTE: For an explanation of the tabulated material found on this page and for impeller key location, refer to **Supplement A** located at the beginning of this section.

