

BERKELEY® B4GQBH

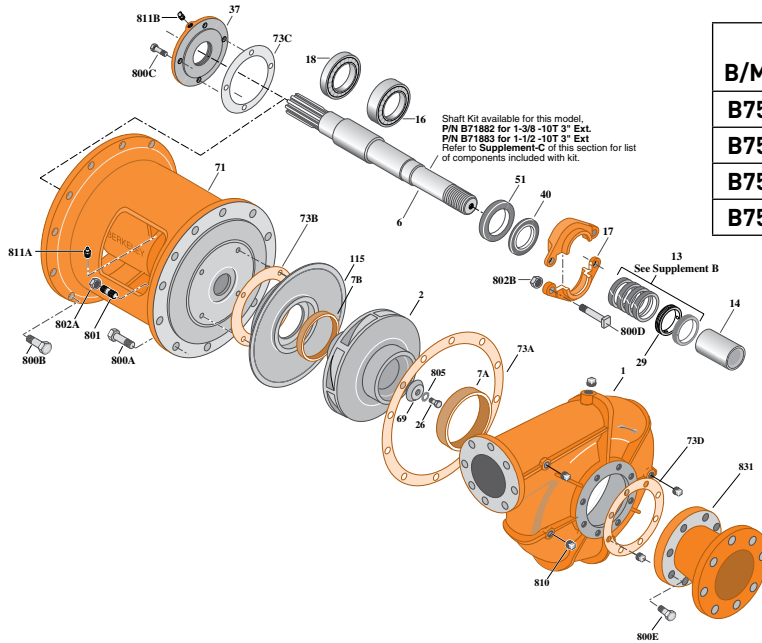
Silicon Bronze Impeller

Flanged Case, Packing Construction

Section	SAE
Page	125.1
Date	March 4, 2013
Supersedes 01/01/04	

Table I

B/M No.	SAE Mtg. Size	Bracket No.	Shaft No.	Shaft Spline No.	Shaft Ext.
B75561	4	H01595	M06183	1-1/2-10T	3"
B75562	3	H01596	M06183	1-1/2-10T	3"
B75563	2	H01597	M06183	1-1/2-10T	3"
B75564	1	H01598	M06183	1-1/2-10T	3"



Item No.	Part Description	Part Number
1	Case, Volute	H05778
2	Impeller	H05882
6	Shaft (See Note)	See Table I
7A	Ring, Wearing	M11195
7B	Ring, Wearing	M11194
13	Ring, Packing (Set of 4)	S13436
14	Sleeve, Shaft	S05974
16	Bearing, Ball	S13396
17	Gland, Packing	B82472
18	Bearing, Ball	S13395
26	Screw, Impeller 1/2-13x1-3/4"	S23625
29	Ring, Lantern	S18993
37	Outer Bearing Cap	M04998
40	Slinger, Water	S10964
51	Seal, Oil	S14765
69	Washer, Impeller	S06319
71	Bracket	See Table I
73A	Gasket, Volute	S06271
73B	Gasket, Balance Ring	S09943
73C	Gasket	S18055

Item No.	Part Description	Part Number
73D	Gasket, Reducer	S10367
115	Ring, Balance	H05781
800A	Capscrew, Hex 5/8-11x1-1/2" (12 Req.)	S26999
800B	Capscrew, Hex 3/8-16x1-1/4" (12 Req.)	S26828
800B	Capscrew, Hex 7/16-14x1-1/4" (12 Req.)*	S26872
800C	Capscrew, Hex 1/4-20x3/4" (4 Req.)	S23119
800D	Bolt, Sq. Head 1/2-13x2-3/4" (2 Req.)	S23794
800E	Capscrew, Hex 3/4-10x1-3/4" (8 Req.)	S27327
801	Stud, 3/8-16x1-3/8" (4 Req.)	S09942
802A	Nut, Hex 3/8-16 (4 Req.)	S23103
802B	Nut, Hex 1/2-13x7/16" (2 Req.)	S23347
805	Washer, Lock	S23038
810	Plug, Pipe 1/2 NPT (6 Req.)	S23717
811A	Fitting, Grease (2 Req.)	S23670
811B	Fitting, Grease	S23702
831	Reducer, Eccentric	H05780
•	Fitting, Grease	S23700

* For B/M No. 75564 Only.
 • Not illustrated.



BERKELEY® B4GQBHS

Silicon Bronze Impeller

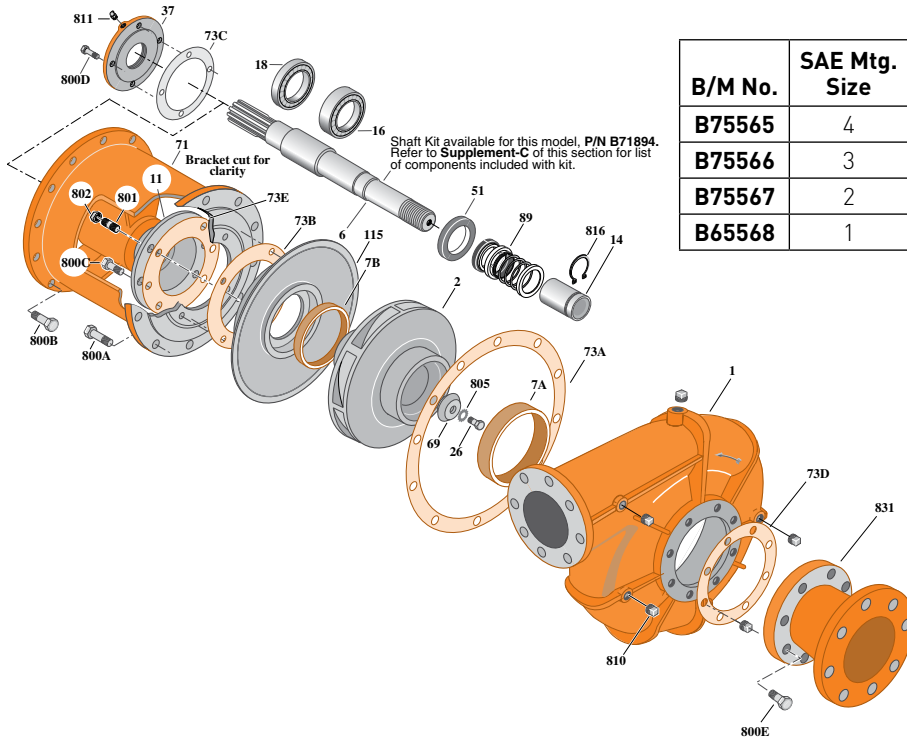
Flanged Case, Mechanical Seal Construction

SAE ENGINE MOUNT

Section	SAE
Page	125.2
Date	March 4, 2013
Supersedes 01/01/04	

Table I

B/M No.	SAE Mtg. Size	Bracket No.	Shaft No.	Shaft Spline No.	Shaft Ext.
B75565	4	H04013	M06183	1-1/2-10T	3"
B75566	3	H04012	M06183	1-1/2-10T	3"
B75567	2	H04011	M06183	1-1/2-10T	3"
B65568	1	H04010	M06183	1-1/2-10T	3"



Item No.	Part Description	Part Number
1	Case, Volute	H05778
2	Impeller	H05882
6	Shaft (See Note)	See Table I
7A	Ring, Wearing	M11195
7B	Ring, Wearing	M11194
11	Retainer, Mechanical Shaft Seal	M07603
14	Sleeve, Shaft	S33429
16	Bearing, Ball	S13396
18	Bearing, Ball	S13395
26	Screw, Impeller 1/2-13x1-1/2"	S23625
37	Outer Bearing Cap	M04998
51	Seal, Oil	S14765
69	Washer, Impeller	S06319
71	Bracket	See Table I
73A	Gasket, Volute	S06271
73B	Gasket, Balance Ring	S09943
73C	Gasket	S18055
73D	Gasket, Reducer	S10367
73E	Gasket	S39852

Item No.	Part Description	Part Number
89	Seal, Mechanical Shaft	S32694
115	Ring, Balance	H05781
800A	Capscrew, Hex 5/8-11x1-1/2" (12 Req.)	S26999
800B	Capscrew, Hex 3/8-16x1-1/4" (12 Req.)	S26828
800B	Capscrew, Hex 7/16-14x1-1/4" (12 Req.)*	S26872
800C	Capscrew, Hex 3/8-16x5/8" (2 Req.)	S39853
800D	Capscrew, Hex 1/4-20x3/4" (4 Req.)	S23119
800E	Capscrew, Hex 3/4-10x1-3/4" (8 Req.)	S27327
801	Stud, 3/8-16x1-1/2" (4 Req.)	S09942
802	Nut, Hex 3/8-16 (4 Req.)	S23103
805	Washer, Lock	S23038
810	Plug, Pipe 1/2 NPT (6 Req.)	S23717
811	Fitting, Grease	S23670
816	Ring, Retaining	S29341
831	Reducer, Eccentric	H05780
•	Fitting, Grease	S23702

* For B/M No. 75568 Only.
 • Not illustrated.



BERKELEY® B4GQBHS

SAE ENGINE MOUNT

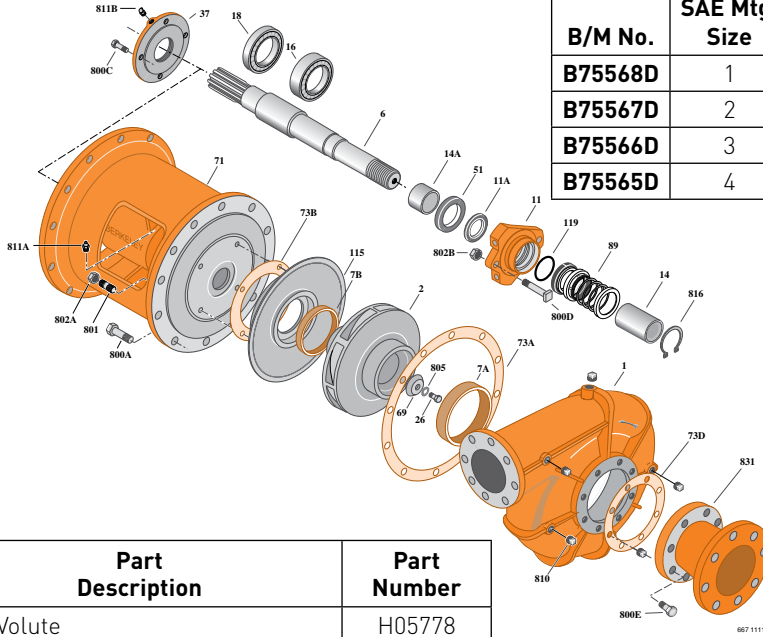
Cast Iron Impeller

Flanged Case, Mechanical Shaft Seal Construction

Section	SAE
Page	125.3
Date	March 4, 2013
Supersedes 01/01/12	

Table I

B/M No.	SAE Mtg. Size	Bracket No.	Shaft No.	Shaft Spline No.	Shaft Ext.
B75568D	1	M14968	M06183	1-1/2-10T	3"
B75567D	2	M14967	M06183	1-1/2-10T	3"
B75566D	3	M14966	M06183	1-1/2-10T	3"
B75565D	4	M14965	M06183	1-1/2-10T	3"



Item No.	Part Description	Part Number
1	Case, Volute	H05778
2	Impeller	H05822
6	Shaft	See Table 1
7A	Ring, Wearing	M11195
7B	Ring, Wearing	M11194
11	Retainer, Mechanical Shaft Seal, Dry Run	M14959
11A	Dry run Gland Lip Seal	M12337
14	Sleeve, Shaft	S33429L
14A	Sleeve, Speedi	M14971
16	Bearing, Ball	S13396
18	Bearing, Ball	S13395
26	Screw, Impeller 1/2-13x1-3/4"	S23625
37	Outer Bearing Cap Assembly	M04998
51	Seal, Oil	S14765
69	Washer, Impeller	S06319
71	Bracket	See Table 1
73A	Gasket, Volute	S06271
73B	Gasket, Balance Ring	S09943
73D	Gasket, Reducer	S10367
89	Seal, Mechanical Shaft	S32693
115	Ring, Balance	H05781
119	O-Ring	M14972
800A	Capscrew, Hex 5/8-11x1-3/4" [2 Rqd.] top ctr	S27001

Item No.	Part Description	Part Number
800A	Capscrew, Hex 5/8-11x1-1/2" [10 Rqd.]	S26999
800C	Capscrew, Hex 1/4-2x3/4" [4 Rqd.]	S23119
800D	Bolt, Sq. Head 1/2-13x2-1/4" [2 Rqd.]	S23792
800E	Capscrew, Hex 3/4-10x1-3/4" [8 Rqd.]	S27327
801	Stud 3/8-16 X 1-3/8LG [4 Rqd]	S09942
802A	Nut, Hex 3/8-16 STL [4 Rqd]	S23103
802B	Nut, Hex 1/2-13 [2 Rqd.]	S23347
805	Washer, Lock	S23038
810	Plug, Pipe 1/2 NPT [4 Rqd.]	S23717
811A	Fitting, Grease	S23607
811B	Fitting, Grease	S23702
816	Ring, Retaining	S29341
831	Reducer, Eccentric	H05780

NOTE 1: Shaft Replacement Kit is available for this model. Berkeley part number **B71894**. Pump shaft sold in replacement kit only. Refer to **Supplement C** for shaft kit components.

NOTE 2: Refer to **Supplement F** for dry run tank repair parts. Dry run lubrication system requires one gallon of food grade hydraulic oil (FGHO), viscosity 150 SSU at 100 °F. Oil not supplied, purchase locally.

