

BERKELEY® B4EYQBM

SAE ENGINE MOUNT

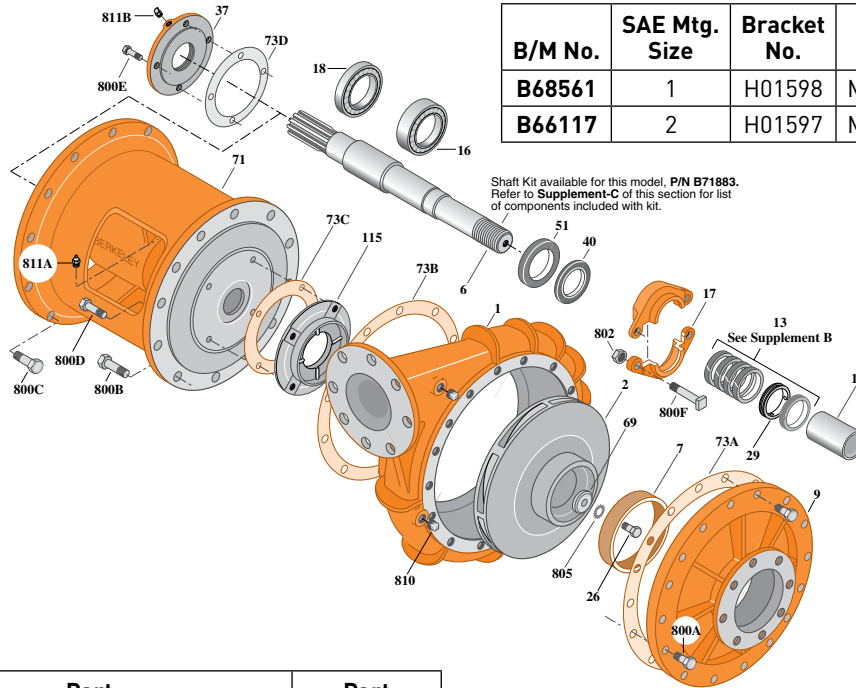
Cast Iron Impeller

Flanged Case, Packing Construction

Section	SAE
Page	140.1
Date	March 4, 2013
Supersedes 12/01/11	

Table I

B/M No.	SAE Mtg. Size	Bracket No.	Shaft No.	Shaft Spline No.	Shaft Ext.
B68561	1	H01598	M06183	1-1/2-10T	3"
B66117	2	H01597	M06183	1-1/2-10T	3"



Item No.	Part Description	Part Number
1	Case, Volute	L01536
2	Impeller	L02409
6	Shaft (See Note)	See Table I
7	Ring, Wearing	S15718
9	Cover, Suction	L01541
13	Ring, Packing (Set of 4)	S13436
14	Sleeve, Shaft	S13436
16	Bearing, Ball	S13396
17	Gland, Packing	B82472
18	Bearing, Ball	S13395
26	Screw, Impeller 1/2-13x1-1/4"	S23621
29	Ring, Lantern	S18993
37	Outer Bearing Cap	M04998
40	Slinger, Water	S10964
51	Seal, Oil	S14765
69	Washer, Impeller	S06319
71	Bracket	See Table I
73A	Gasket, Suction Cover	S06401
73B	Gasket, Volute	S06271

Item No.	Part Description	Part Number
73C	Gasket, Balance Ring	S09943
73D	Gasket	S18055
115	Ring, Balance	S12304
800A	Capscrew, Hex 5/8-11x1-3/4" (16 Req.)	S27001
800B	Capscrew, Hex 5/8-11x1-1/2" (12 Req.)	S26999
800C	Capscrew, Hex 3/8-16x1-1/4" (12 Req. - SAE 1)	S26872
800C	Capscrew, Hex 3/8-16x1-1/4" (12 Req. - SAE 2)	S26828
800D	Capscrew, Hex 3/8-16x1" (4 Req.)	S26826
800E	Capscrew, Hex 1/4-20x3/4" (4 Req.)	S23119
800F	Bolt, Sq. Head 1/2-13x2-3/4" (2 Req.)	S23794
802	Nut, Hex 1/2-13x7/16" (2 Req.)	S23347
805	Washer, Lock	S23038
810	Plug, Pipe 1/2 NPT (4 Req.)	S23717
811A	Fitting, Grease	S23670
811B	Fitting, Grease	S23702
•	Fitting, Grease	S23700

• Not illustrated.



BERKELEY® B4EYQBM

SAE ENGINE MOUNT

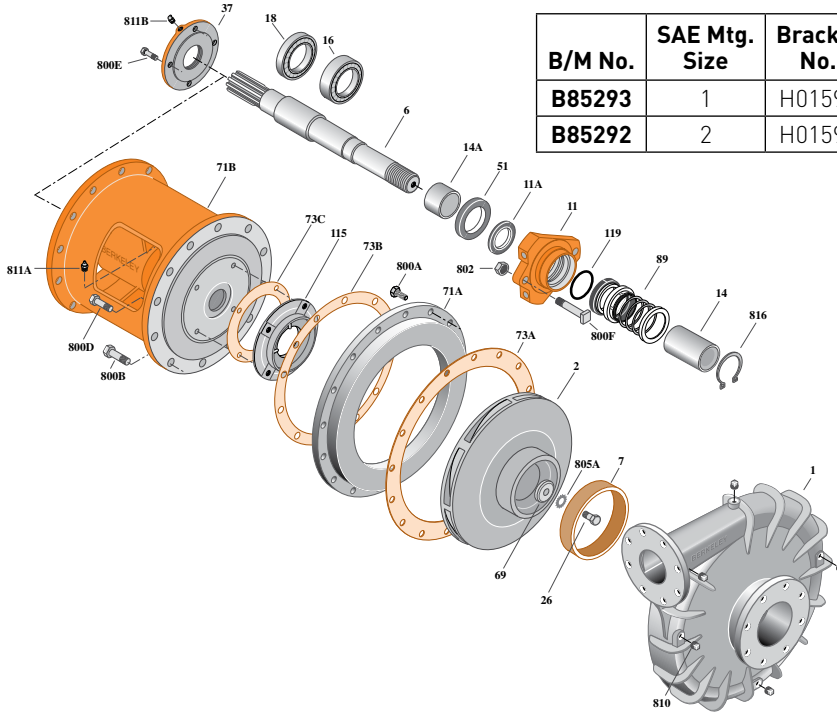
Cast Iron Impeller

Flanged Case, Packing Construction

Section	SAE
Page	140.1.1
Date	March 4, 2013
Supersedes 12/01/05	

Table I

B/M No.	SAE Mtg. Size	Bracket No.	Shaft No.	Shaft Spline No.	Shaft Ext.
B85293	1	H01598	1-1/2-10T	3"	3"
B85292	2	H01597	1-1/2-10T	3"	2-1/2"



Item No.	Part Description	Part Number
1	Case, Volute	M13751
2	Impeller	L02409
6	Shaft [See Note]	KITB71883
7	Ring, Wearing	S15718
13	Ring, Packing [Set of 4]	S13436
14	Sleeve, Shaft	S05974
16	Bearing, Ball	S13396
17	Gland, Packing	B82472
18	Bearing, Ball	S13395
26	Screw, Impeller 1/2-13x1-1/4"	S23621
29	Ring, Lantern	S18993
37	Outer Bearing Cap	M04998
40	Slinger, Water	S10964
51	Seal, Oil	S14765
69	Washer, Impeller	S06319
71A	Ring, Adapter	M13753
71B	Bracket	See Table I
73A	Gasket, Suction Cover	S06401

Item No.	Part Description	Part Number
73B	Gasket, Volute	S06271
73C	Gasket, Balance Ring	S09943
115	Ring, Balance	S12304
800A	Capscrew, Hex 5/8-11x1-3/4" [16 Req.]	S27001
800B	Capscrew, Hex 5/8-11x1-1/2" [12 Req.]	S26999
800C	Capscrew, Hex 3/8-16x1-1/4" [12 Req. - SAE 1]	S26872
800C	Capscrew, Hex 3/8-16x1-1/4" [12 Req. - SAE 2]	S26828
800D	Capscrew, Hex 3/8-16x1" [4 Req.]	S26826
800E	Capscrew, Hex 1/4-20x3/4" [4 Req.]	S23119
800F	Bolt, Sq. Head 1/2-13x2-3/4" [2 Req.]	S23794
802	Nut, Hex 1/2-13x7/16" [2 Req.]	S23347
805	Washer, Lock	S23038
810	Plug, Pipe 1/2 NPT [4 Req.]	S23717
811A	Fitting, Grease	S23670
811B	Fitting, Grease	S23702
•	Fitting, Grease	S23700

• Not illustrated.



BERKELEY® B4EYQBM

SAE ENGINE MOUNT

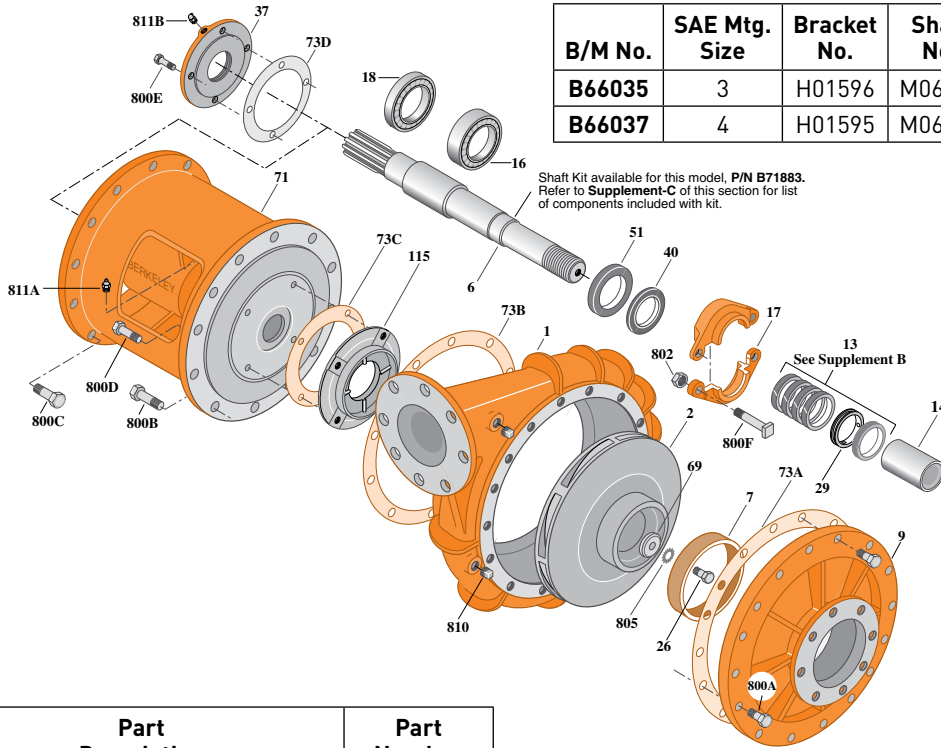
Cast Iron Impeller

Flanged Case, Packing Construction

Section	SAE
Page	140.2
Date	March 4, 2013
Supersedes 12/01/11	

Table I

B/M No.	SAE Mtg. Size	Bracket No.	Shaft No.	Shaft Spline No.	Shaft Ext.
B66035	3	H01596	M06183	1-1/2-10T	3"
B66037	4	H01595	M06183	1-1/2-10T	3"



Item No.	Part Description	Part Number
1	Case, Volute	L01536
2	Impeller	L02409
6	Shaft [See Note]	See Table I
7	Ring, Wearing	S15718
9	Cover, Suction	L01541
13	Ring, Packing [Set of 4]	S13436
14	Sleeve, Shaft	S05974
16	Bearing, Ball	S13396
17	Gland, Packing	B82472
18	Bearing, Ball	S13395
26	Screw, Impeller 1/2-13x1-1/4"	S23621
29	Ring, Lantern	S18993
37	Outer Bearing Cap	M04998
40	Slinger, Water	S10964
51	Seal, Oil	S14765
69	Washer, Impeller	S06319
71	Bracket	See Table I
73A	Gasket, Suction Cover	S06401

Item No.	Part Description	Part Number
73B	Gasket, Volute	S06271
73C	Gasket, Balance Ring	S09943
73D	Gasket	S18055
115	Ring, Balance	S12304
800A	Capscrew, Hex 5/8-11x1-3/4" [16 Req.]	S27001
800B	Capscrew, Hex 5/8-11x1-1/2" [12 Req.]	S26999
800C	Capscrew, Hex 3/8-16x1-1/4" [12 Req.]	S26828
800D	Capscrew, Hex 3/8-16x1" [4 Req.]	S26826
800E	Capscrew, Hex 1/4-20x3/4" [4 Req.]	S23119
800F	Bolt, Sq. Head 1/2-13x2-3/4" [2 Req.]	S23794
802	Nut, Hex 1/2-13x7/16" [2 Req.]	S23347
805	Washer, Lock	S23038
810	Plug, Pipe 1/2 NPT [4 Req.]	S23717
811A	Fitting, Grease	S23670
811B	Fitting, Grease	S23702
•	Fitting, Grease	S23700

• Not illustrated.



BERKELEY® B4EYQBM

SAE ENGINE MOUNT

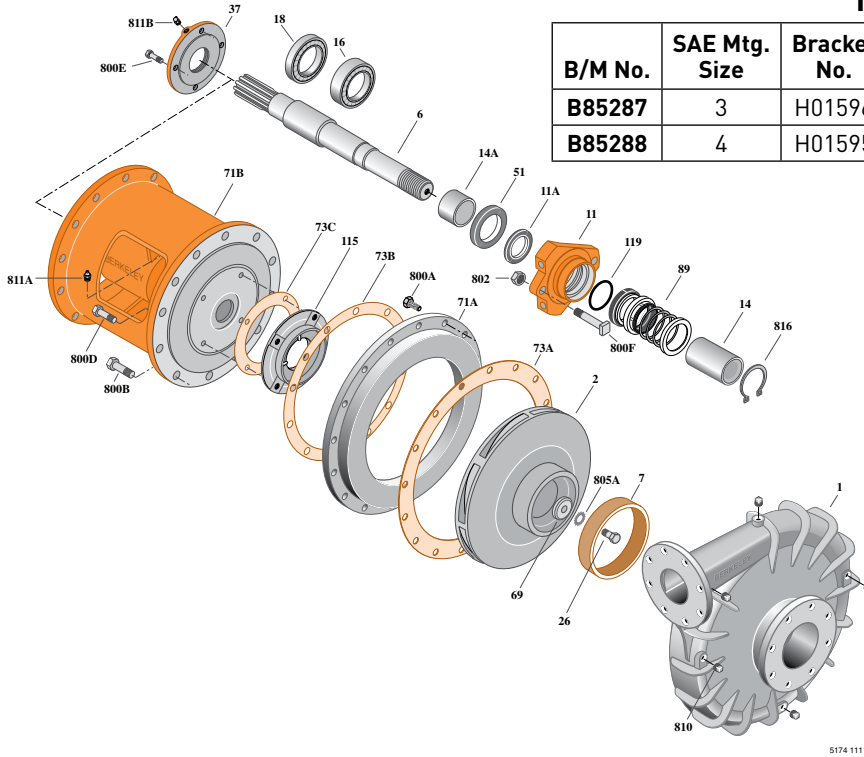
Cast Iron Impeller

Flanged Case, Packing Construction

Section	SAE
Page	140.2.1
Date	March 4, 2013
Supersedes 12/01/11	

Table I

B/M No.	SAE Mtg. Size	Bracket No.	Shaft No.	Shaft Spline No.	Shaft Ext.
B85287	3	H01596	1-1/2-10T	3"	3"
B85288	4	H01595	1-1/2-10T	3"	2-1/2"



Item No.	Part Description	Part Number
1	Case, Volute	M13751
2	Impeller	L02409
6	Shaft [See Note]	KITB71883
7	Ring, Wearing	S15718
13	Ring, Packing [Set of 4]	S13436
14	Sleeve, Shaft	S05974
16	Bearing, Ball	S13396
17	Gland, Packing	B82472
18	Bearing, Ball	S13395
26	Screw, Impeller 1/2-13x1-1/4"	S23621
29	Ring, Lantern	S18993
37	Outer Bearing Cap	M04998
40	Slinger, Water	S10964
51	Seal, Oil	S14765
69	Washer, Impeller	S06319
71A	Ring, Adapter	M13753
71B	Bracket	See Table I

Item No.	Part Description	Part Number
73A	Gasket, Suction Cover	S06401
73B	Gasket, Volute	S06271
73C	Gasket, Balance Ring	S09943
115	Ring, Balance	S12304
800A	Capscrew, Hex 5/8-11x1-3/4" [16 Req.]	S27001
800B	Capscrew, Hex 5/8-11x1-1/2" [12 Req.]	S26999
800C	Capscrew, Hex 3/8-16x1-1/4" [12 Req.]	S26828
800D	Capscrew, Hex 3/8-16x1" [4 Req.]	S26826
800E	Capscrew, Hex 1/4-20x3/4" [4 Req.]	S23119
800F	Bolt, Sq. Head 1/2-13x2-3/4" [2 Req.]	S23794
802	Nut, Hex 1/2-13x7/16" [2 Req.]	S23347
805	Washer, Lock	S23038
810	Plug, Pipe 1/2 NPT [4 Req.]	S23717
811A	Fitting, Grease	S23670
811B	Fitting, Grease	S23702
•	Fitting, Grease [not illustrated]	S23700

• Not illustrated.

