

BERKELEY® B4EYQBH

Cast Iron Impeller

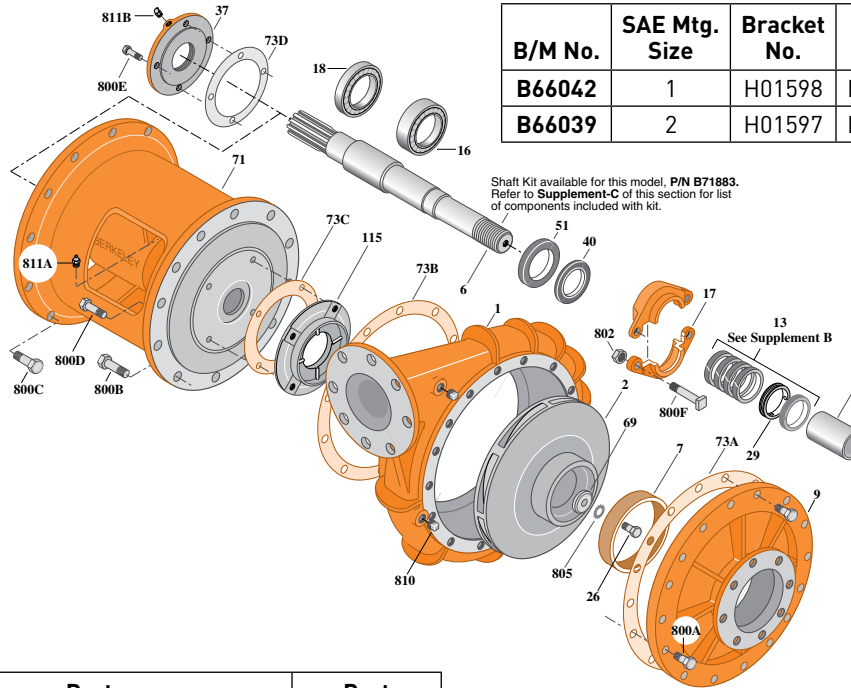
Flanged Case, Packing Construction

SAE ENGINE MOUNT

| | |
|---------------------|---------------|
| Section | SAE |
| Page | 150.1 |
| Date | March 4, 2013 |
| Supersedes 12/01/11 | |

Table I

| B/M No. | SAE Mtg. Size | Bracket No. | Shaft No. | Shaft Spline No. | Shaft Ext. |
|---------------|---------------|-------------|-----------|------------------|------------|
| B66042 | 1 | H01598 | M06183 | 1-1/2-10T | 3" |
| B66039 | 2 | H01597 | M06183 | 1-1/2-10T | 3" |



| Item No. | Part Description | Part Number |
|----------|-------------------------------|-------------|
| 1 | Case, Volute | L01536 |
| 2 | Impeller | L02634 |
| 6 | Shaft (See Note) | See Table I |
| 7 | Ring, Wearing | S15718 |
| 9 | Cover, Suction | L01541 |
| 13 | Ring, Packing (Set of 4) | S13436 |
| 14 | Sleeve, Shaft | S05974 |
| 16 | Bearing, Ball | S13396 |
| 17 | Gland, Packing | B82472 |
| 18 | Bearing, Ball | S13395 |
| 26 | Screw, Impeller 1/2-13x1-1/4" | S23621 |
| 29 | Ring, Lantern | S18993 |
| 37 | Outer Bearing Cap | M04998 |
| 40 | Slinger, Water | S10964 |
| 51 | Seal, Oil | S14765 |
| 69 | Washer, Impeller | S06319 |
| 71 | Bracket | See Table I |
| 73A | Gasket, Suction Cover | S06401 |
| 73B | Gasket, Volute | S06271 |

| Item No. | Part Description | Part Number |
|----------|--|-------------|
| 73C | Gasket, Balance Ring | S09943 |
| 73D | Gasket | S18055 |
| 115 | Ring, Balance | S12304 |
| 800A | Capscrew, Hex 5/8-11x1-3/4" (16 Req.) | S27001 |
| 800B | Capscrew, Hex 5/8-11x1-1/2" (12 Req.) | S26999 |
| 800C | Capscrew, Hex 7/16-14x1-1/4" (12 Req. - SAE 1) | S26872 |
| 800C | Capscrew, Hex 3/8-16x1-1/4" (12 Req. - SAE 2) | S26828 |
| 800D | Capscrew, Hex 3/8-16x1" (4 Req.) | S26826 |
| 800E | Capscrew, Hex 1/4-20x3/4" (4 Req.) | S23119 |
| 800F | Bolt, Sq. Head 1/2-13x2-3/4" (2 Req.) | S23794 |
| 802 | Nut, Hex 1/2-13x7/16" (2 Req.) | S23347 |
| 805 | Washer, Lock | S23038 |
| 810 | Plug, Pipe 1/2 NPT (4 Req.) | S23717 |
| 811A | Fitting, Grease | S23670 |
| 811B | Fitting, Grease | S23702 |
| • | Fitting, Grease | S23700 |

• Not illustrated.



BERKELEY® B4EYQBH

SAE ENGINE MOUNT

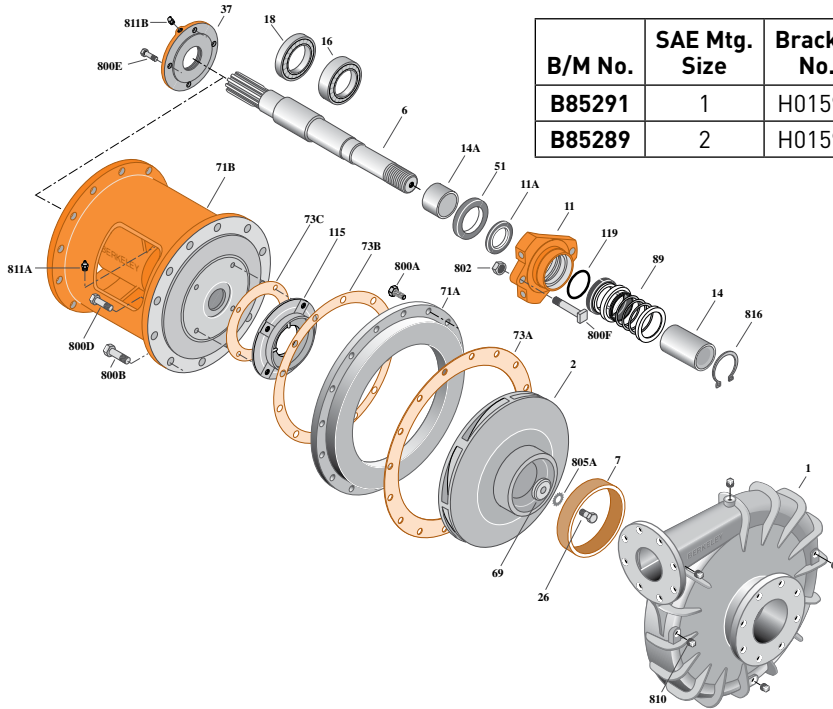
Cast Iron Impeller

Flanged Case, Packing Construction

| | |
|---------------------|---------------|
| Section | SAE |
| Page | 150.1.1 |
| Date | March 4, 2013 |
| Supersedes 12/01/11 | |

Table I

| B/M No. | SAE Mtg. Size | Bracket No. | Shaft No. | Shaft Spline No. | Shaft Ext. |
|---------|---------------|-------------|-----------|------------------|------------|
| B85291 | 1 | H01598 | 1-1/2-10T | 3" | 3" |
| B85289 | 2 | H01597 | 1-1/2-10T | 3" | 2-1/2" |



| Item No. | Part Description | Part Number |
|----------|-------------------------------|-------------|
| 1 | Case, Volute | M13751 |
| 2 | Impeller | L02634 |
| 6 | Shaft (See Note) | KITB71883 |
| 7 | Ring, Wearing | S15718 |
| 13 | Ring, Packing (Set of 4) | S13436 |
| 14 | Sleeve, Shaft | S05974 |
| 16 | Bearing, Ball | S13396 |
| 17 | Gland, Packing | B82472 |
| 18 | Bearing, Ball | S13395 |
| 26 | Screw, Impeller 1/2-13x1-1/4" | S23621 |
| 29 | Ring, Lantern | S18993 |
| 37 | Outer Bearing Cap | M04998 |
| 40 | Slinger, Water | S10964 |
| 51 | Seal, Oil | S14765 |
| 69 | Washer, Impeller | S06319 |
| 71A | Ring, Adapter | M13753 |
| 71B | Bracket | See Table I |
| 73A | Gasket, Suction Cover | S06401 |

| Item No. | Part Description | Part Number |
|----------|---|-------------|
| 73B | Gasket, Volute | S06271 |
| 73C | Gasket, Balance Ring | S09943 |
| 115 | Ring, Balance | S12304 |
| 800A | Capscrew, Hex 5/8-11x1-3/4" [16 Req.] | S27001 |
| 800B | Capscrew, Hex 5/8-11x1-1/2" [12 Req.] | S26999 |
| 800C | Capscrew, Hex 3/8-16x1-1/4" [12 Req. - SAE 1] | S26872 |
| 800C | Capscrew, Hex 3/8-16x1-1/4" [12 Req. - SAE 2] | S26828 |
| 800D | Capscrew, Hex 3/8-16x1" [4 Req.] | S26826 |
| 800E | Capscrew, Hex 1/4-20x3/4" [4 Req.] | S23119 |
| 800F | Bolt, Sq. Head 1/2-13x2-3/4" [2 Req.] | S23794 |
| 802 | Nut, Hex 1/2-13x7/16" [2 Req.] | S23347 |
| 805 | Washer, Lock | S23038 |
| 810 | Plug, Pipe 1/2 NPT [4 Req.] | S23717 |
| 811A | Fitting, Grease | S23670 |
| 811B | Fitting, Grease | S23702 |
| • | Fitting, Grease | S23700 |

• Not illustrated.



BERKELEY® B4EYQBH

SAE ENGINE MOUNT

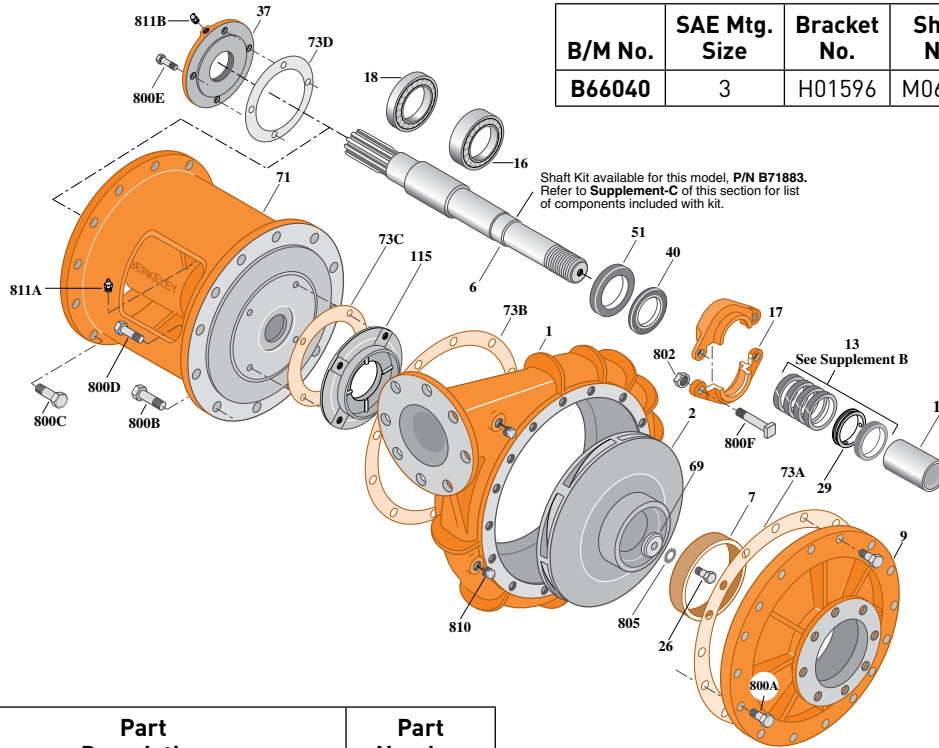
Cast Iron Impeller

Flanged Case, Packing Construction

| | |
|---------------------|---------------|
| Section | SAE |
| Page | 150.2 |
| Date | March 4, 2013 |
| Supersedes 12/01/11 | |

Table I

| B/M No. | SAE Mtg. Size | Bracket No. | Shaft No. | Shaft Spline No. | Shaft Ext. |
|---------|---------------|-------------|-----------|------------------|------------|
| B66040 | 3 | H01596 | M06183 | 1-1/2-10T | 3" |



| Item No. | Part Description | Part Number |
|----------|-------------------------------|-------------|
| 1 | Case, Volute | L01536 |
| 2 | Impeller | L02634 |
| 6 | Shaft [See Note] | See Table I |
| 7 | Ring, Wearing | S15718 |
| 9 | Cover, Suction | L01541 |
| 13 | Ring, Packing [Set of 4] | S13436 |
| 14 | Sleeve, Shaft | S05974 |
| 16 | Bearing, Ball | S13396 |
| 17 | Gland, Packing | B82472 |
| 18 | Bearing, Ball | S13395 |
| 26 | Screw, Impeller 1/2-13x1-1/4" | S23621 |
| 29 | Ring, Lantern | S18993 |
| 37 | Outer Bearing Cap | M04998 |
| 40 | Slinger, Water | S10964 |
| 51 | Seal, Oil | S14765 |
| 69 | Washer, Impeller | S06319 |
| 71 | Bracket | See Table I |
| 73A | Gasket, Suction Cover | S06401 |

| Item No. | Part Description | Part Number |
|----------|---------------------------------------|-------------|
| 73B | Gasket, Volute | S06271 |
| 73C | Gasket, Balance Ring | S09943 |
| 73D | Gasket | S18055 |
| 115 | Ring, Balance | S12304 |
| 800A | Capscrew, Hex 5/8-11x1-3/4" [16 Req.] | S27001 |
| 800B | Capscrew, Hex 5/8-11x1-1/2" [12 Req.] | S26999 |
| 800C | Capscrew, Hex 3/8-16x1-1/4" [12 Req.] | S26828 |
| 800D | Capscrew, Hex 3/8-16x1" [4 Req.] | S26826 |
| 800E | Capscrew, Hex 1/4-20x3/4" [4 Req.] | S23119 |
| 800F | Bolt, Sq. Head 1/2-13x2-3/4" [2 Req.] | S23794 |
| 802 | Nut, Hex 1/2-13x7/16" [2 Req.] | S23347 |
| 805 | Washer, Lock | S23038 |
| 810 | Plug, Pipe 1/2 NPT [4 Req.] | S23717 |
| 811A | Fitting, Grease | S23670 |
| 811B | Fitting, Grease | S23702 |
| • | Fitting, Grease | S23700 |

• Not illustrated.



BERKELEY® B4EYQBH

SAE ENGINE MOUNT

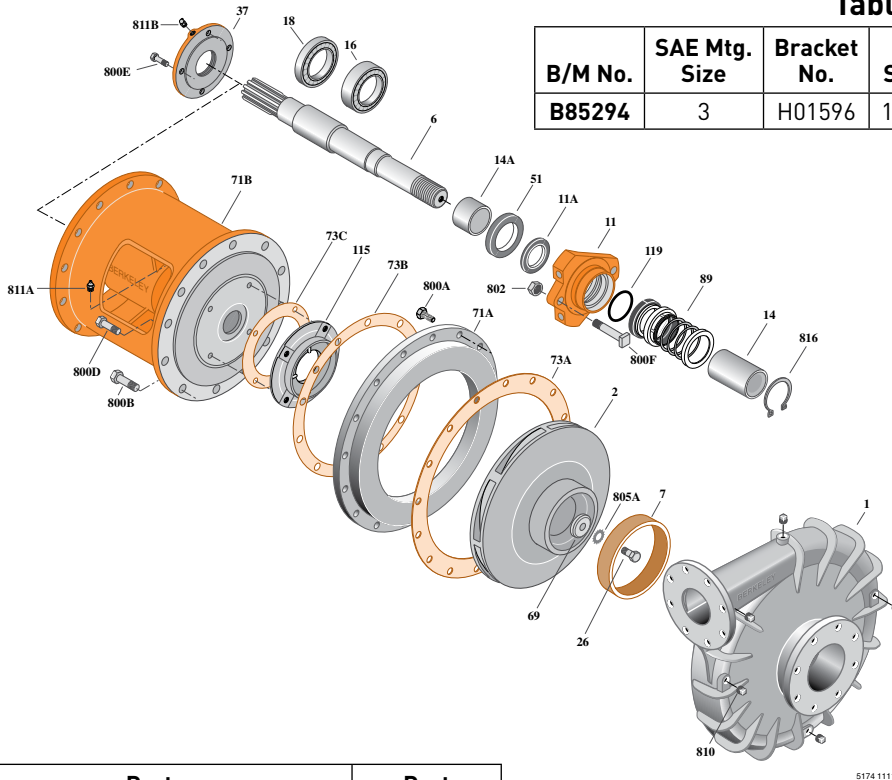
Cast Iron Impeller

Flanged Case, Packing Construction

| | |
|---------------------|---------------|
| Section | SAE |
| Page | 150.2.1 |
| Date | March 4, 2013 |
| Supersedes 12/01/11 | |

Table I

| B/M No. | SAE Mtg. Size | Bracket No. | Shaft No. | Shaft Spline No. | Shaft Ext. |
|---------|---------------|-------------|-----------|------------------|------------|
| B85294 | 3 | H01596 | 1-1/2-10T | 3" | 3" |



| Item No. | Part Description | Part Number |
|----------|-------------------------------|-------------|
| 1 | Case, Volute | M13751 |
| 2 | Impeller | L02634 |
| 6 | Shaft [See Note] | KITB71883 |
| 7 | Ring, Wearing | S15718 |
| 13 | Ring, Packing [Set of 4] | S13436 |
| 14 | Sleeve, Shaft | S05974 |
| 16 | Bearing, Ball | S13396 |
| 17 | Gland, Packing | B82472 |
| 18 | Bearing, Ball | S13395 |
| 26 | Screw, Impeller 1/2-13x1-1/4" | S23621 |
| 29 | Ring, Lantern | S18993 |
| 37 | Outer Bearing Cap | M04998 |
| 40 | Slinger, Water | S10964 |
| 51 | Seal, Oil | S14765 |
| 69 | Washer, Impeller | S06319 |
| 71A | Ring, Adapter | M13753 |
| 71B | Bracket | See Table I |

| Item No. | Part Description | Part Number |
|----------|---------------------------------------|-------------|
| 73A | Gasket, Suction Cover | S06401 |
| 73B | Gasket, Volute | S06271 |
| 73C | Gasket, Balance Ring | S09943 |
| 115 | Ring, Balance | S12304 |
| 800A | Capscrew, Hex 5/8-11x1-3/4" [16 Req.] | S27001 |
| 800B | Capscrew, Hex 5/8-11x1-1/2" [12 Req.] | S26999 |
| 800C | Capscrew, Hex 3/8-16x1-1/4" [12 Req.] | S26828 |
| 800D | Capscrew, Hex 3/8-16x1" [4 Req.] | S26826 |
| 800E | Capscrew, Hex 1/4-20x3/4" [4 Req.] | S23119 |
| 800F | Bolt, Sq. Head 1/2-13x2-3/4" [2 Req.] | S23794 |
| 802 | Nut, Hex 1/2-13x7/16" [2 Req.] | S23347 |
| 805 | Washer, Lock | S23038 |
| 810 | Plug, Pipe 1/2 NPT [4 Req.] | S23717 |
| 811A | Fitting, Grease | S23670 |
| 811B | Fitting, Grease | S23702 |
| • | Fitting, Grease | S23700 |

• Not illustrated.



BERKELEY® B4EYQBHS

SAE ENGINE MOUNT

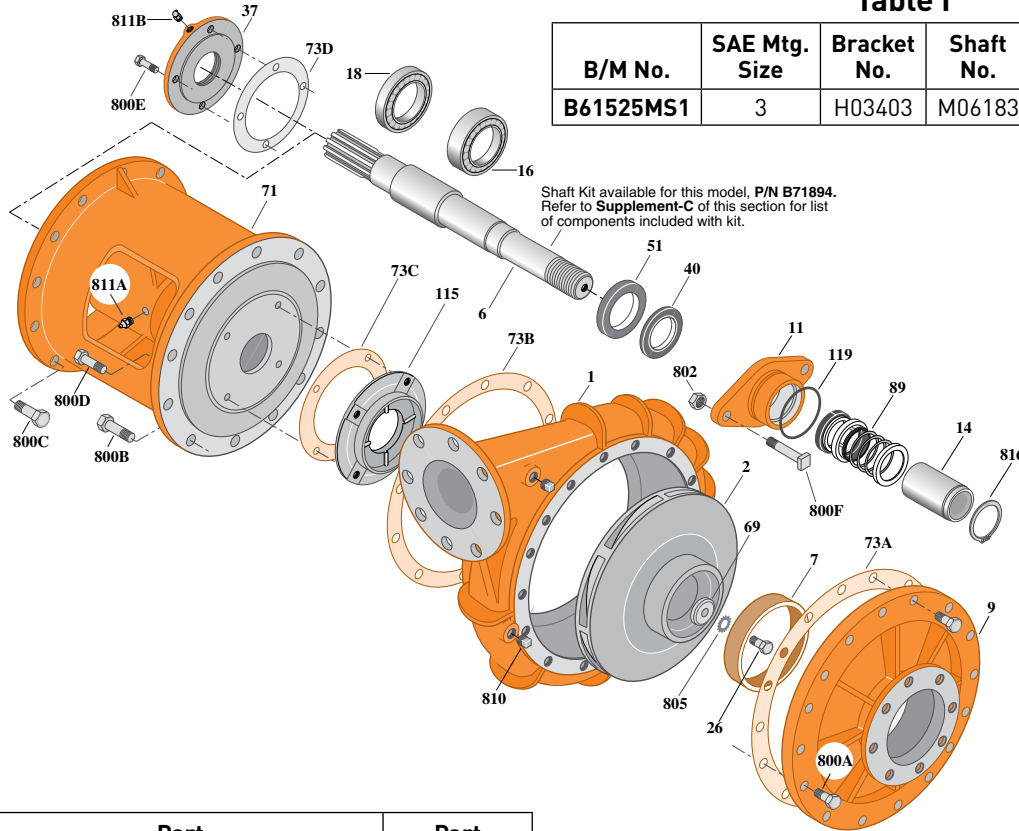
Cast Iron Impeller

Flanged Case, Mechanical Seal Construction

| | |
|---------------------|---------------|
| Section | SAE |
| Page | 150.3 |
| Date | March 4, 2013 |
| Supersedes 12/01/11 | |

Table I

| B/M No. | SAE Mtg. Size | Bracket No. | Shaft No. | Shaft Spline No. | Shaft Ext. |
|-----------|---------------|-------------|-----------|------------------|------------|
| B61525MS1 | 3 | H03403 | M06183 | 1-1/2-10T | 3" |



| Item No. | Part Description | Part Number |
|----------|---------------------------|-------------|
| 1 | Case, Volute | L01536 |
| 2 | Impeller | L02634 |
| 6 | Shaft (See Note) | See Table I |
| 7 | Ring, Wearing | S15718 |
| 9 | Cover, Suction | L01541 |
| 11 | Retainer, Mechanical Seal | S11452 |
| 14 | Sleeve, Shaft | S33429 |
| 16 | Bearing, Ball | S13396 |
| 18 | Bearing, Ball | S13395 |
| 26 | Screw, Impeller 1/2-13x1" | S23619 |
| 37 | Outer Bearing Cap | M04998 |
| 51 | Seal, Oil | S14765 |
| 69 | Washer, Impeller | S06319 |
| 71 | Bracket | See Table I |
| 73A | Gasket, Suction Cover | S06401 |
| 73B | Gasket, Volute | S06271 |
| 73C | Gasket, Balance Ring | S09943 |

| Item No. | Part Description | Part Number |
|----------|---------------------------------------|-------------|
| 73D | Gasket | S18055 |
| 89 | Seal, Mechanical Shaft | S32694 |
| 115 | Ring, Balance | S13655 |
| 119 | O-Ring | S26471 |
| 800A | Capscrew, Hex 5/8-11x1-3/4" [16 Req.] | S27001 |
| 800B | Capscrew, Hex 5/8-11x1-1/2" [12 Req.] | S26999 |
| 800C | Capscrew, Hex 3/8-16x1-1/4" [12 Req.] | S26828 |
| 800D | Capscrew, Hex 3/8-16x1" [4 Req.] | S26826 |
| 800E | Capscrew, Hex 1/4-20x3/4" [4 Req.] | S23119 |
| 800F | Bolt, Sq. Head 1/2-13x2-1/4" [2 Req.] | S23792 |
| 802 | Nut, Hex 1/2-13x7/16" [2 Req.] | S23347 |
| 805 | Washer, Lock | S23038 |
| 810 | Plug, Pipe 1/2 NPT [4 Req.] | S23717 |
| 811A | Fitting, Grease | S23670 |
| 811B | Fitting, Grease | S23702 |
| 816 | Ring, Retaining | S29341 |



BERKELEY® B4EYQBHS

SAE ENGINE MOUNT

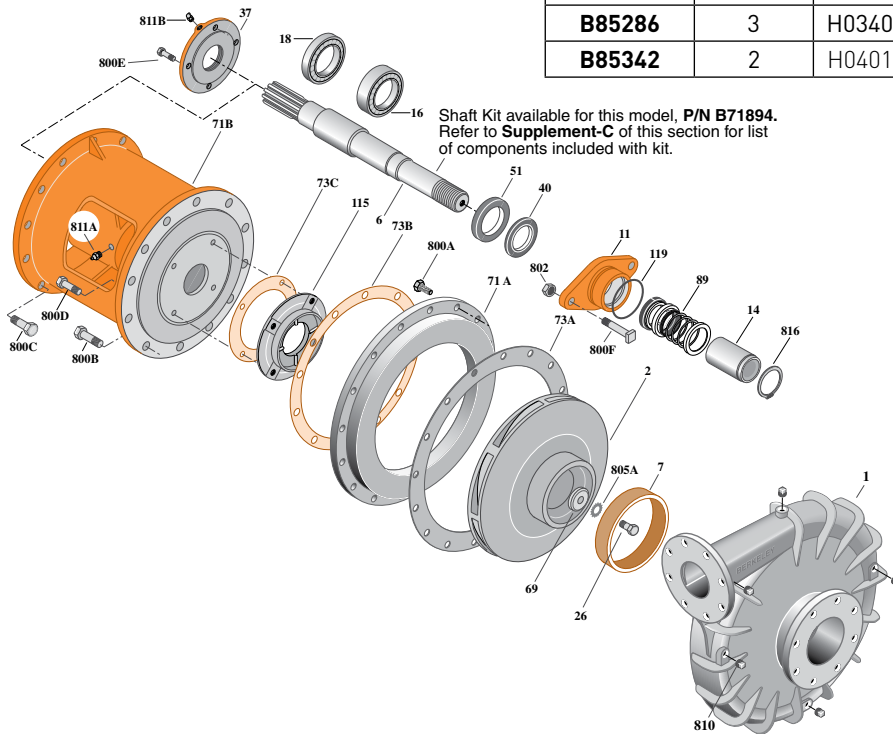
Cast Iron Impeller

Flanged Case, Mechanical Seal Construction

| | |
|---------------------|---------------|
| Section | SAE |
| Page | 150.3.1 |
| Date | March 4, 2013 |
| Supersedes 12/01/11 | |

Table I

| B/M No. | SAE Mtg. Size | Bracket No. | Shaft No. | Shaft Spline No. | Shaft Ext. |
|---------------|---------------|-------------|-----------|------------------|------------|
| B85286 | 3 | H03403 | 1-1/2-10T | 3" | 3" |
| B85342 | 2 | H04011 | 1-1/2-10T | 3" | 2-1/2" |



| Item No. | Part Description | Part Number |
|----------|---------------------------|-------------|
| 1 | Case, Volute | M13751 |
| 2 | Impeller | L02634 |
| 6 | Shaft | KITB71894 |
| 7 | Ring, Wearing | S15718 |
| 11 | Retainer, Mechanical Seal | S11452 |
| 14 | Sleeve, Shaft | S33429 |
| 16 | Bearing, Ball | S13396 |
| 18 | Bearing, Ball | S13395 |
| 26 | Screw, Impeller 1/2-13x1" | S23619 |
| 37 | Outer Bearing Cap | M04998 |
| 51 | Seal, Oil | S14765 |
| 69 | Washer, Impeller | S06319 |
| 71A | Ring, Adapter | M13753 |
| 71B | Bracket | See Table I |
| 73A | Gasket, Suction | S06401 |
| 73B | Gasket, Volute | S06271 |

| Item No. | Part Description | Part Number |
|----------|---------------------------------------|-------------|
| 73C | Gasket, Balance Ring | S09943 |
| 89 | Seal, Mechanical Shaft | S32694 |
| 115 | Ring, Balance | S13655 |
| 119 | O-Ring | S26471 |
| 800A | Capscrew, Hex 5/8-11x1-3/4" [16 Req.] | S27001 |
| 800B | Capscrew, Hex 5/8-11x1-1/2" [12 Req.] | S26999 |
| 800C | Capscrew, Hex 3/8-16x1-1/4" [12 Req.] | S26828 |
| 800D | Capscrew, Hex 3/8-16x1" [4 Req.] | S26826 |
| 800E | Capscrew, Hex 1/4-20x3/4" [4 Req.] | S23119 |
| 800F | Bolt, Sq. Head 1/2-13x2-1/4" [2 Req.] | S23792 |
| 802 | Nut, Hex 1/2-13x7/16" [2 Req.] | S23347 |
| 805 | Washer, Lock | S23038 |
| 810 | Plug, Pipe 1/2 NPT [4 Req.] | S23717 |
| 811A | Fitting, Grease | S23670 |
| 811B | Fitting, Grease | S23702 |
| 816 | Ring, Retaining | S29341 |



BERKELEY® B4EYQBHS

SAE ENGINE MOUNT

Cast Iron Impeller

Flanged Case, Mechanical Shaft Seal Construction

| | |
|---------------------|---------------|
| Section | SAE |
| Page | 150.4 |
| Date | March 4, 2013 |
| Supersedes 01/01/12 | |

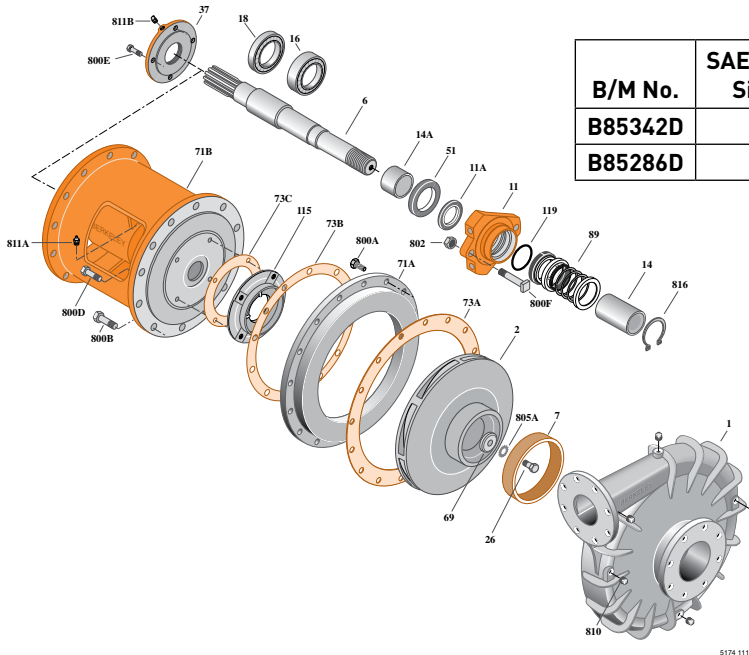


Table I

| B/M No. | SAE Mtg. Size | Bracket No. | Shaft No. | Shaft Spline No. | Shaft Ext. |
|---------|---------------|-------------|-----------|------------------|------------|
| B85342D | 2 | M14967 | M06183 | 1-1/2-10T | 3" |
| B85286D | 3 | M14966 | M06183 | 1-1/2-10T | 3" |

| Item No. | Part Description | Part Number |
|----------|--|-------------|
| 1 | Case, Volute | M13751 |
| 2 | Impeller | L02634 |
| 6 | Shaft | See Table 1 |
| 7 | Ring, Wearing | S15718 |
| 11 | Retainer, Mechanical Shaft Seal, Dry Run | M14959 |
| 11A | Dry run Gland Lip Seal | M12337 |
| 14 | Sleeve, Shaft | S33429L |
| 14A | Sleeve, Shaft | M14971 |
| 16 | Bearing, Ball | S13396 |
| 18 | Bearing, Ball | S13395 |
| 26 | Screw, Impeller 1/2-13x1-1/4" | S23621 |
| 37 | Outer Bearing Cap Assembly | M04998 |
| 51 | Seal, Oil | S14765 |
| 69 | Washer, Impeller | S06319 |
| 71A | Ring, adapter | M13753 |
| 71B | Bracket | See Table 1 |
| 73A | Gasket, Volute | S06271 |
| 73B | Gasket, Suction cover | S06401 |
| 73C | Gasket, Balance Ring | S09943 |
| 89 | Seal, Mechanical Shaft | S32693 |
| 115 | Ring, Balance | S13655 |

| Item No. | Part Description | Part Number |
|----------|--|-------------|
| 119 | O-Ring | M14972 |
| 800B | Capscrew, Hex 5/8-11x1-1/2" (10 Rqd.) | S26999 |
| 800B | Capscrew, Hex 5/8-11x1-3/4" (2 Rqd.) top ctr | S27001 |
| 800D | Capscrew, Hex 1/4-20x3/4" (4 Rqd.) | S26826 |
| 800E | Capscrew, Hex 1/4-20 X 3/4LG CR (4 Rqd.) | S23119 |
| 800F | Bolt, Sq. Head 1/2-13x2-1/4" (2 Rqd.) | S23792 |
| 802 | Nut, Hex 1/2-13 (2 Rqd.) | S23347 |
| 805A | Washer, Lock | S23038 |
| 810 | Plug, Pipe 1/2 NPT (4 Rqd.) | S23717 |
| 811A | Fitting, Grease | S23670 |
| 811B | Fitting, Grease | S23702 |
| 816 | Ring, Retaining | S29341 |

NOTE 1: Shaft Replacement Kit is available for this model. Berkeley part number **B71894**. Pump shaft sold in replacement kit only. Refer to **Supplement C** for shaft kit components.

NOTE 2: Refer to **Supplement F** for dry run tank repair parts. Dry run lubrication system requires one gallon of food grade hydraulic oil (FGHO), viscosity 150 SSU at 100° F. Oil not supplied, purchase locally.

