

BERKELEY® B4EYPBM

Cast Iron Impeller

Flanged Case, Packing Construction

ELECTRIC MOTOR DRIVE

| | |
|---------------------|---------------|
| Section | CC |
| Page | 290.1 |
| Date | March 4, 2013 |
| Supersedes 06/01/95 | |

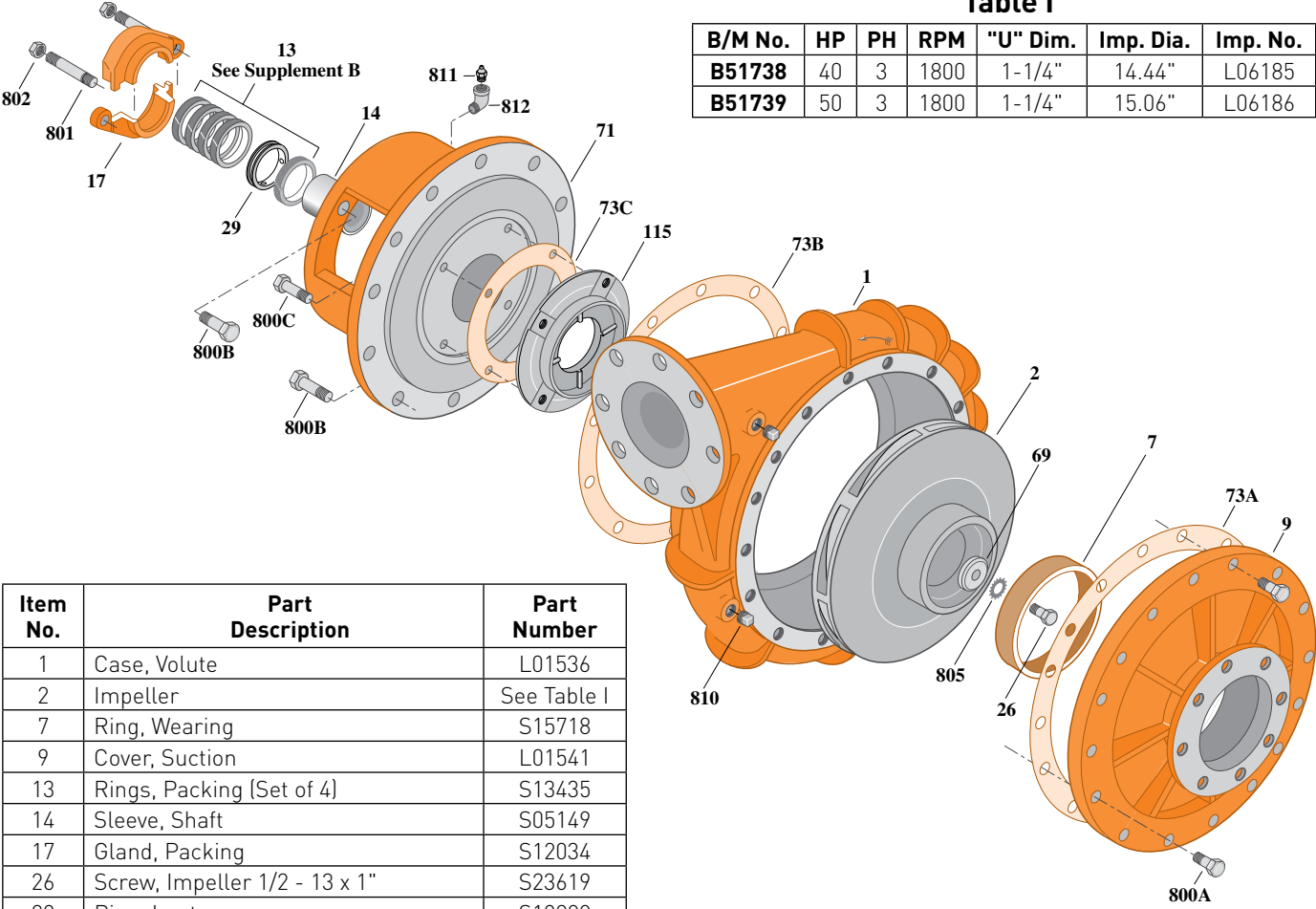


Table I

| B/M No. | HP | PH | RPM | "U" Dim. | Imp. Dia. | Imp. No. |
|---------|----|----|------|----------|-----------|----------|
| B51738 | 40 | 3 | 1800 | 1-1/4" | 14.44" | L06185 |
| B51739 | 50 | 3 | 1800 | 1-1/4" | 15.06" | L06186 |

| Item No. | Part Description | Part Number |
|----------|---------------------------------------|--------------|
| 1 | Case, Volute | L01536 |
| 2 | Impeller | See Table I |
| 7 | Ring, Wearing | S15718 |
| 9 | Cover, Suction | L01541 |
| 13 | Rings, Packing [Set of 4] | S13435 |
| 14 | Sleeve, Shaft | S05149 |
| 17 | Gland, Packing | S12034 |
| 26 | Screw, Impeller 1/2 - 13 x 1" | S23619 |
| 29 | Ring, Lantern | S19200 |
| 32 | Key, 1/4 x 2-1/4" [See Note] | S23677 |
| 69 | Washer, Impeller | S06319 |
| 71 | Bracket | See Table II |
| 73A | Gasket, Suction Cover | S06401 |
| 73B | Gasket, Volute | S06271 |
| 73C | Gasket, Balance Ring | S09943 |
| 115 | Ring, Balance | S13655 |
| 800A | Capscrew, 5/8 - 11 x 1-3/4" [16 Req.] | S27001 |
| 800B | Capscrew, 5/8 - 11 x 1-1/2" [16 Req.] | S26999 |
| 800C | Capscrew, 3/8 - 16 x 1-1/2" [4 Req.] | S26830 |
| 801 | Stud, 3/8 - 16 x 2-1/2" [2 Req.] | S04438 |
| 802 | Nut, Hex 3/8 - 16 [2 Req.] | S23343 |
| 805 | Washer, Lock | S23038 |
| 810 | Plug, Pipe 1/2 NPT [4 Req.] | S23717 |
| 811 | Fitting, Grease | S23700 |
| 812 | Elbow, Street | S25421 |

Table II

| HP | PH | Bracket No. | "AK" Fit | "U" Dim. | Motor Frame |
|----|----|-------------|----------|----------|-------------|
| 40 | 3 | H01601 | 12-1/2" | 1-1/4" | 324JP |
| 50 | 3 | H01601 | 12-1/2" | 1-1/4" | 326JP |

NOTE: For an explanation of the tabulated material found on this page and for impeller key location, refer to **Supplement A** located at the beginning of this section.



BERKELEY® B4EYPBM

Cast Iron Impeller

Flanged Case, Packing Construction

ELECTRIC MOTOR DRIVE

| | |
|---------------------|---------------|
| Section | CC |
| Page | 290.1.1 |
| Date | March 4, 2013 |
| Supersedes 12/01/05 | |

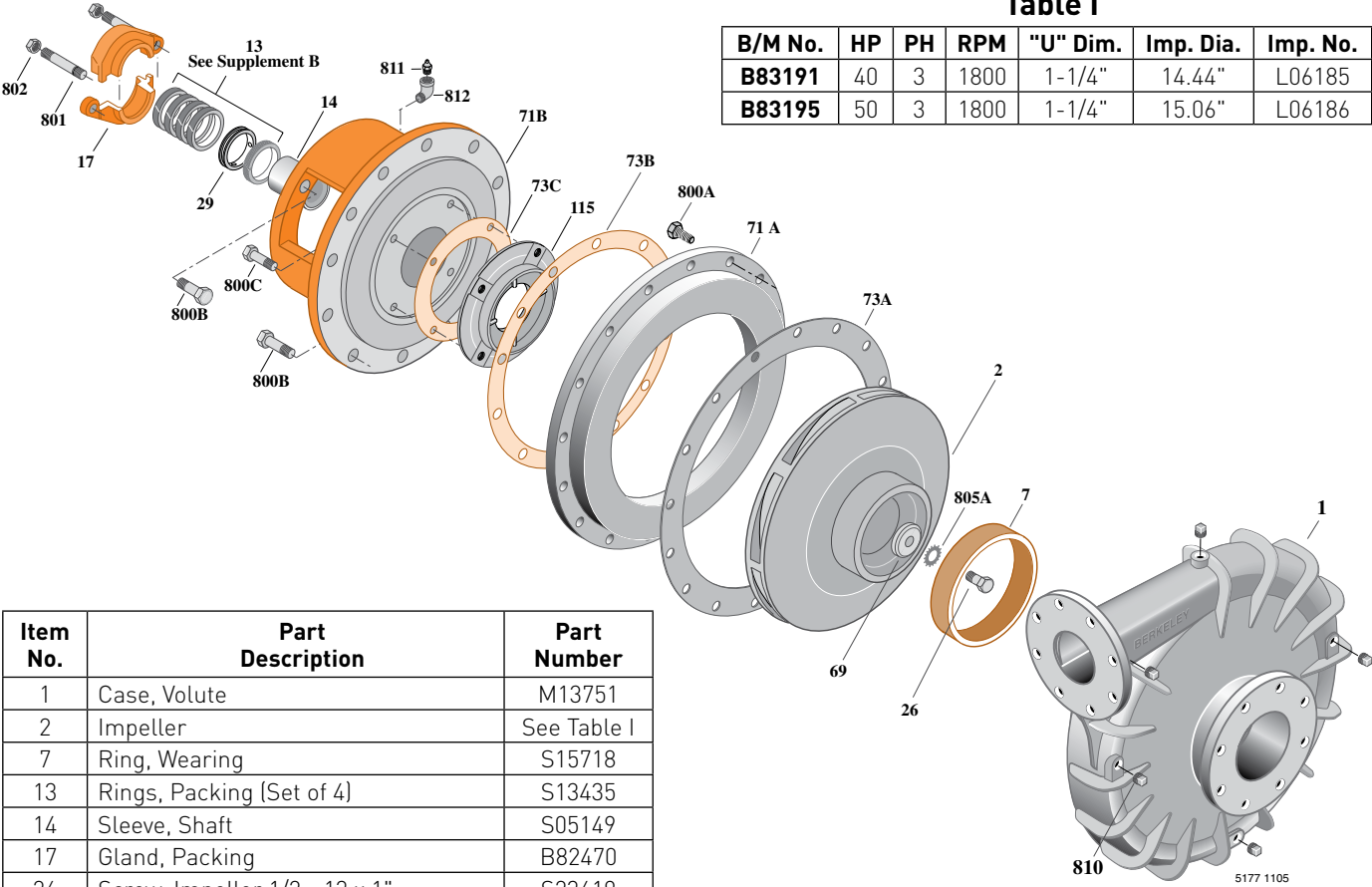


Table I

| B/M No. | HP | PH | RPM | "U" Dim. | Imp. Dia. | Imp. No. |
|---------|----|----|------|----------|-----------|----------|
| B83191 | 40 | 3 | 1800 | 1-1/4" | 14.44" | L06185 |
| B83195 | 50 | 3 | 1800 | 1-1/4" | 15.06" | L06186 |

| Item No. | Part Description | Part Number |
|----------|---------------------------------------|--------------|
| 1 | Case, Volute | M13751 |
| 2 | Impeller | See Table I |
| 7 | Ring, Wearing | S15718 |
| 13 | Rings, Packing [Set of 4] | S13435 |
| 14 | Sleeve, Shaft | S05149 |
| 17 | Gland, Packing | B82470 |
| 26 | Screw, Impeller 1/2 - 13 x 1" | S23619 |
| 29 | Ring, Lantern | S19200 |
| 32 | Key, 1/4 x 2-1/4" [See Note] | S23677 |
| 69 | Washer, Impeller | S06319 |
| 71A | Ring, Adapter | M13753 |
| 71B | Bracket | See Table II |
| 73A | Gasket, Suction Cover | S06401 |
| 73B | Gasket, Volute | S06271 |
| 73C | Gasket, Balance Ring | S09943 |
| 115 | Ring, Balance | S13655 |
| 800A | Capscrew, 5/8 - 11 x 1-3/4" [16 Req.] | S27001 |
| 800B | Capscrew, 5/8 - 11 x 1-1/2" [16 Req.] | S26999 |
| 800C | Capscrew, 3/8 - 16 x 1-1/2" [4 Req.] | S26830 |
| 801 | Stud, 3/8 - 16 x 2-1/2" [2 Req.] | S04438 |
| 802 | Nut, Hex 3/8 - 16 [2 Req.] | S23343 |
| 805 | Washer, Lock | S23038 |
| 810 | Plug, Pipe 1/2 NPT [4 Req.] | S23717 |
| 811 | Fitting, Grease | S23700 |
| 812 | Elbow, Street | S25421 |

Table II

| HP | PH | Bracket No. | "AK" Fit | "U" Dim. | Motor Frame |
|----|----|-------------|----------|----------|-------------|
| 40 | 3 | H01601 | 12-1/2" | 1-1/4" | 324JP |
| 50 | 3 | H01601 | 12-1/2" | 1-1/4" | 326JP |

NOTE: For an explanation of the tabulated material found on this page and for impeller key location, refer to **Supplement A** located at the beginning of this section.



BERKELEY® B4EYPBM

Cast Iron Impeller

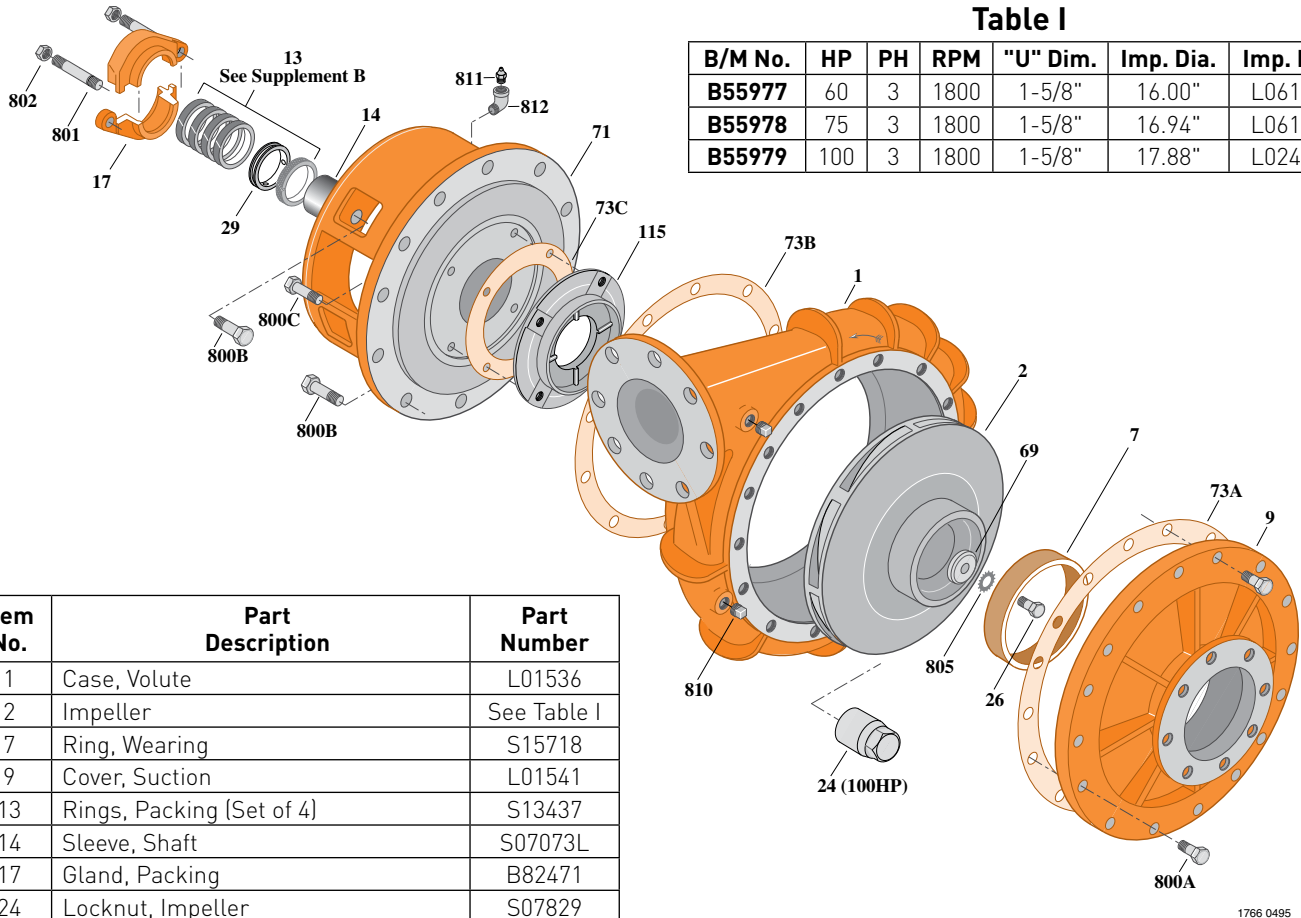
Flanged Case, Packing Construction

ELECTRIC MOTOR DRIVE

| | |
|---------------------|---------------|
| Section | CC |
| Page | 290.2 |
| Date | March 4, 2013 |
| Supersedes 11/02/09 | |

Table I

| B/M No. | HP | PH | RPM | "U" Dim. | Imp. Dia. | Imp. No. |
|---------|-----|----|------|----------|-----------|----------|
| B55977 | 60 | 3 | 1800 | 1-5/8" | 16.00" | L06187 |
| B55978 | 75 | 3 | 1800 | 1-5/8" | 16.94" | L06188 |
| B55979 | 100 | 3 | 1800 | 1-5/8" | 17.88" | L02425 |



| Item No. | Part Description | Part Number |
|----------|---------------------------------------|--------------|
| 1 | Case, Volute | L01536 |
| 2 | Impeller | See Table I |
| 7 | Ring, Wearing | S15718 |
| 9 | Cover, Suction | L01541 |
| 13 | Rings, Packing [Set of 4] | S13437 |
| 14 | Sleeve, Shaft | S07073L |
| 17 | Gland, Packing | B82471 |
| 24 | Locknut, Impeller | S07829 |
| 26 | Screw, Impeller 1/2 - 13 x 1-1/4" | S23621 |
| 29 | Ring, Lantern | S19198 |
| 32 | Key, 3/8 x 2-1/4" [See Note] | S23940 |
| 69 | Washer, Impeller | S34492 |
| 71 | Bracket | See Table II |
| 73A | Gasket, Suction Cover | S06401 |
| 73B | Gasket, Volute | S06271 |
| 73C | Gasket, Balance Ring | S09943 |
| 115 | Ring, Balance | S13655 |
| 800A | Capscrew, 5/8 - 11 x 1-3/4" [20 Req.] | S27001 |
| 800B | Capscrew, 5/8 - 11 x 1-1/2" [12 Req.] | S26999 |
| 800C | Capscrew, 3/8 - 16 x 1-1/2" [4 Req.] | S26830 |
| 801 | Stud, 3/8 - 16 x 2-1/2" [2 Req.] | S04438 |
| 802 | Nut, Hex 3/8 - 16 [2 Req.] | S23343 |
| 805 | Washer, Lock | S23038 |
| 810 | Plug, Pipe 1/2 NPT [4 Req.] | S23717 |
| 811 | Fitting, Grease | S23700 |
| 812 | Elbow, Street | S25421 |

Table II

| HP | PH | Bracket No. | "AK" Fit | "U" Dim. | Motor Frame |
|-----|----|-------------|----------|----------|-------------|
| 60 | 3 | H03622 | 12-1/2" | 1-5/8" | 364JP |
| 75 | 3 | H03622 | 12-1/2" | 1-5/8" | 365JP |
| 100 | 3 | H03622 | 12-1/2" | 1-5/8" | 404TC |

NOTE: For an explanation of the tabulated material found on this page and for impeller key location, refer to **Supplement A** located at the beginning of this section.

BERKELEY® B4EYPBM

Cast Iron Impeller

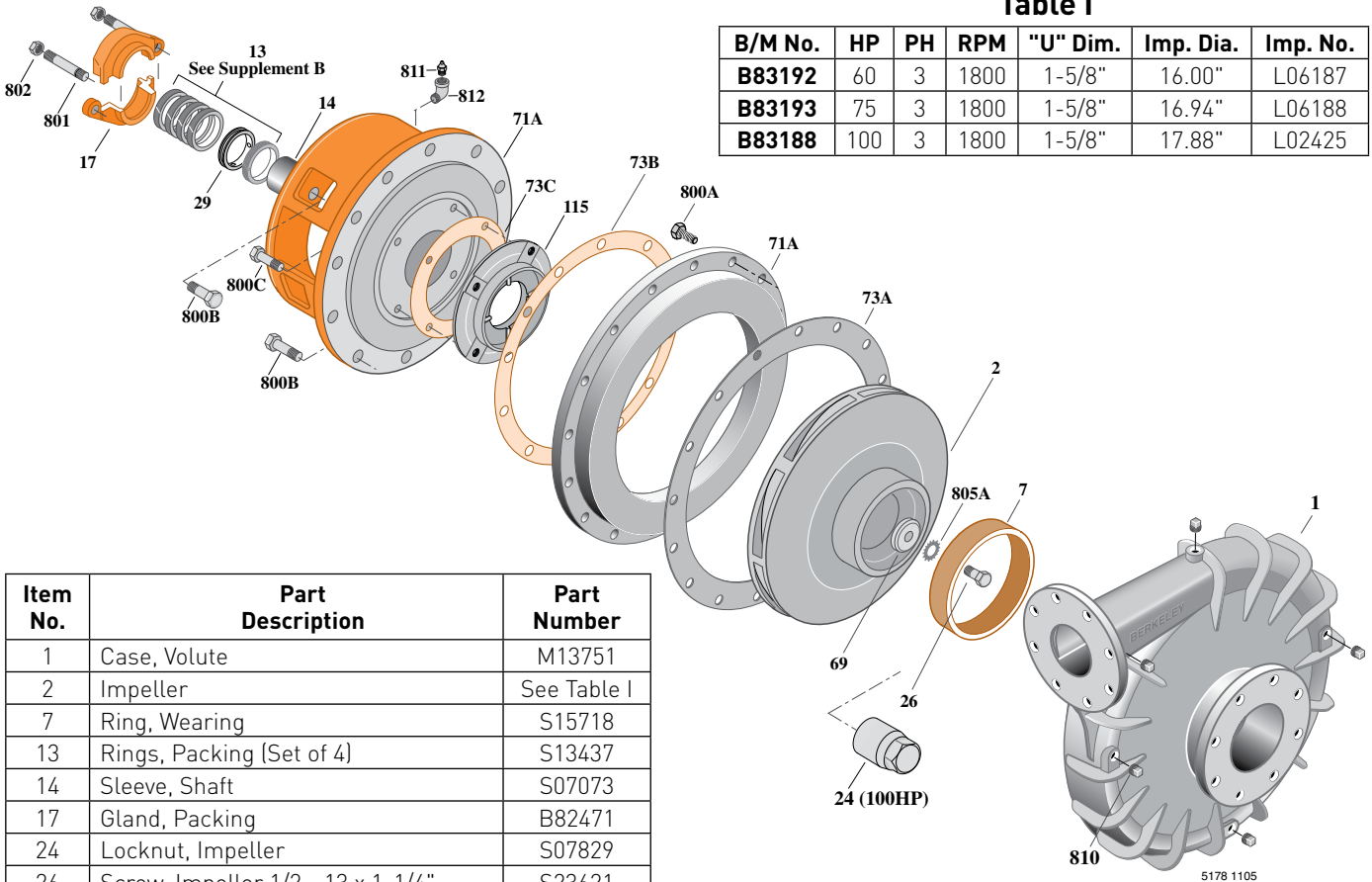
Flanged Case, Packing Construction

ELECTRIC MOTOR DRIVE

| | |
|---------------------|---------------|
| Section | CC |
| Page | 290.2.1 |
| Date | March 4, 2013 |
| Supersedes 12/01/05 | |

Table I

| B/M No. | HP | PH | RPM | "U" Dim. | Imp. Dia. | Imp. No. |
|---------|-----|----|------|----------|-----------|----------|
| B83192 | 60 | 3 | 1800 | 1-5/8" | 16.00" | L06187 |
| B83193 | 75 | 3 | 1800 | 1-5/8" | 16.94" | L06188 |
| B83188 | 100 | 3 | 1800 | 1-5/8" | 17.88" | L02425 |



| Item No. | Part Description | Part Number |
|----------|---------------------------------------|--------------|
| 1 | Case, Volute | M13751 |
| 2 | Impeller | See Table I |
| 7 | Ring, Wearing | S15718 |
| 13 | Rings, Packing (Set of 4) | S13437 |
| 14 | Sleeve, Shaft | S07073 |
| 17 | Gland, Packing | B82471 |
| 24 | Locknut, Impeller | S07829 |
| 26 | Screw, Impeller 1/2 - 13 x 1-1/4" | S23621 |
| 29 | Ring, Lantern | S19198 |
| 32 | Key, 3/8 x 2-1/4" (See Note) | S23940 |
| 69 | Washer, Impeller | S34492 |
| 71A | Ring, Adapter | M13753 |
| 71B | Bracket | See Table II |
| 73A | Gasket, Suction Cover | S06401 |
| 73B | Gasket, Volute | S06271 |
| 73C | Gasket, Balance Ring | S09943 |
| 115 | Ring, Balance | S13655 |
| 800A | Capscrew, 5/8 - 11 x 1-3/4" [20 Req.] | S27001 |
| 800B | Capscrew, 5/8 - 11 x 1-1/2" [12 Req.] | S26999 |
| 800C | Capscrew, 3/8 - 16 x 1-1/2" [4 Req.] | S26830 |
| 801 | Stud, 3/8 - 16 x 2-1/2" [2 Req.] | S04438 |
| 802 | Nut, Hex 3/8 - 16 [2 Req.] | S23343 |
| 805 | Washer, Lock | S23038 |
| 810 | Plug, Pipe 1/2 NPT [4 Req.] | S23717 |
| 811 | Fitting, Grease | S23700 |
| 812 | Elbow, Street | S25421 |

Table II

| HP | PH | Bracket No. | "AK" Fit | "U" Dim. | Motor Frame |
|-----|----|-------------|----------|----------|-------------|
| 60 | 3 | H03622 | 12-1/2" | 1-5/8" | 364JP |
| 75 | 3 | H03622 | 12-1/2" | 1-5/8" | 365JP |
| 100 | 3 | H03622 | 12-1/2" | 1-5/8" | 404TC |

NOTE: For an explanation of the tabulated material found on this page and for impeller key location, refer to **Supplement A** located at the beginning of this section.



BERKELEY® B4EYPBMS

ELECTRIC MOTOR DRIVE

Cast Iron Impeller

Flanged Case, Mechanical Shaft Seal Construction

| | |
|---------------------|---------------|
| Section | CC |
| Page | 290.3 |
| Date | March 4, 2013 |
| Supersedes 06/01/95 | |

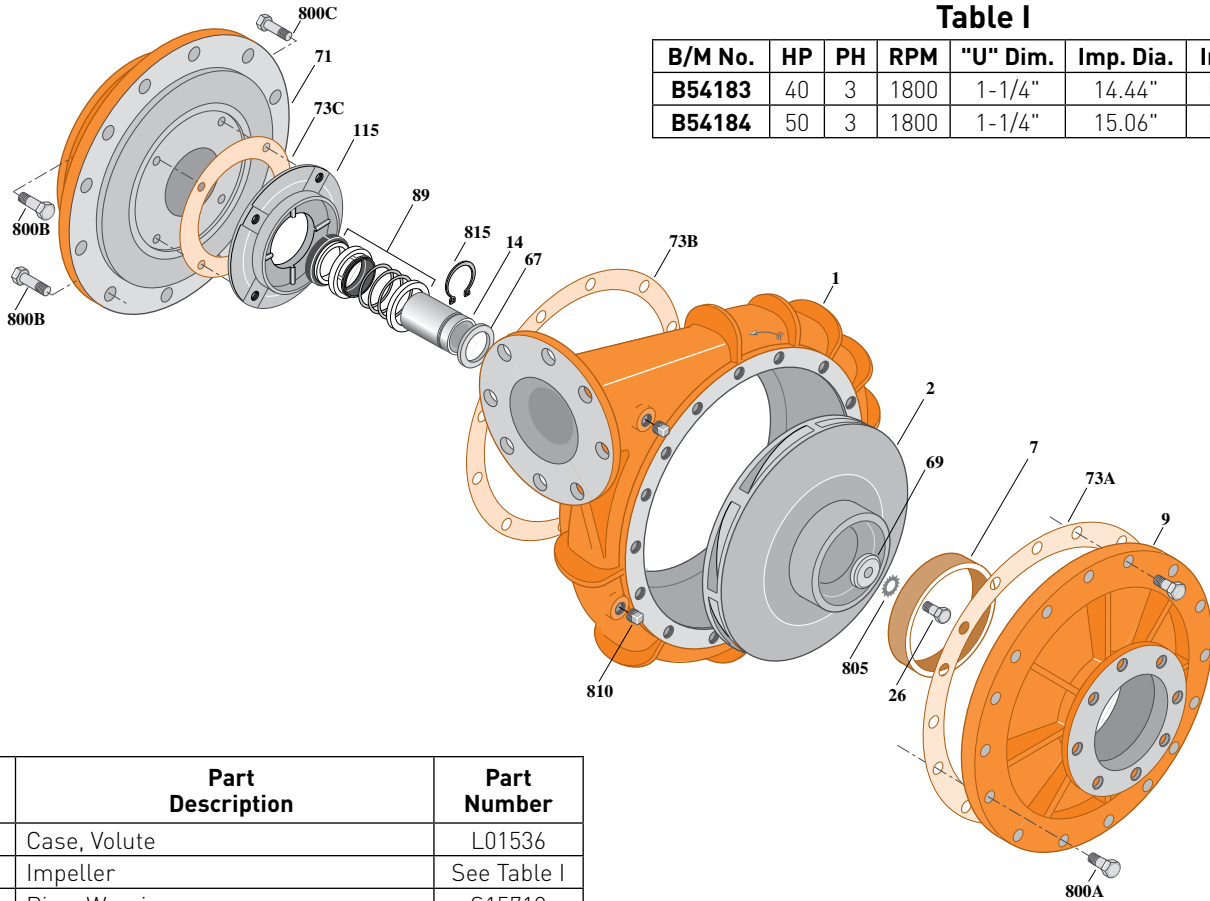


Table I

| B/M No. | HP | PH | RPM | "U" Dim. | Imp. Dia. | Imp. No. |
|---------|----|----|------|----------|-----------|----------|
| B54183 | 40 | 3 | 1800 | 1-1/4" | 14.44" | L06185 |
| B54184 | 50 | 3 | 1800 | 1-1/4" | 15.06" | L06186 |

| Item No. | Part Description | Part Number |
|----------|---------------------------------------|--------------|
| 1 | Case, Volute | L01536 |
| 2 | Impeller | See Table I |
| 7 | Ring, Wearing | S15718 |
| 9 | Cover, Suction | L01541 |
| 14 | Sleeve, Shaft | S18869 |
| 26 | Screw, Impeller 1/2 - 13 x 1-1/4" | S23621 |
| 32 | Key, 1/4 x 2-1/4" (See Note) | S23677 |
| 67 | Ring, Spacer | S19349 |
| 69 | Washer, Impeller | S06319 |
| 71 | Bracket | See Table II |
| 73A | Gasket, Suction Cover | S06401 |
| 73B | Gasket, Volute Case | S06271 |
| 73C | Gasket, Balance Ring | S09943 |
| 89 | Seal, Mechanical Shaft | S32015 |
| 115 | Ring, Balance | S19036 |
| 800A | Capscrew, 5/8 - 11 x 1-3/4" [16 Req.] | S27001 |
| 800B | Capscrew, 5/8 - 11 x 1-1/2" [16 Req.] | S26999 |
| 800C | Capscrew, 3/8 - 16 x 1" [4 Req.] | S26826 |
| 805 | Washer, Lock | S23038 |
| 810 | Plug, Pipe 1/2 NPT [4 Req.] | S23717 |
| 815 | Ring, Retaining | S16767 |

Table II

| HP | PH | Bracket No. | "AK" Fit | "U" Dim. | Motor Frame |
|----|----|-------------|----------|----------|-------------|
| 40 | 3 | H03301 | 12-1/2" | 1-1/4" | 324JM |
| 50 | 3 | H03301 | 12-1/2" | 1-1/4" | 326JM |

NOTE: For an explanation of the tabulated material found on this page and for impeller key location, refer to **Supplement A** located at the beginning of this section.



BERKELEY® B4EYPBMS

Cast Iron Impeller

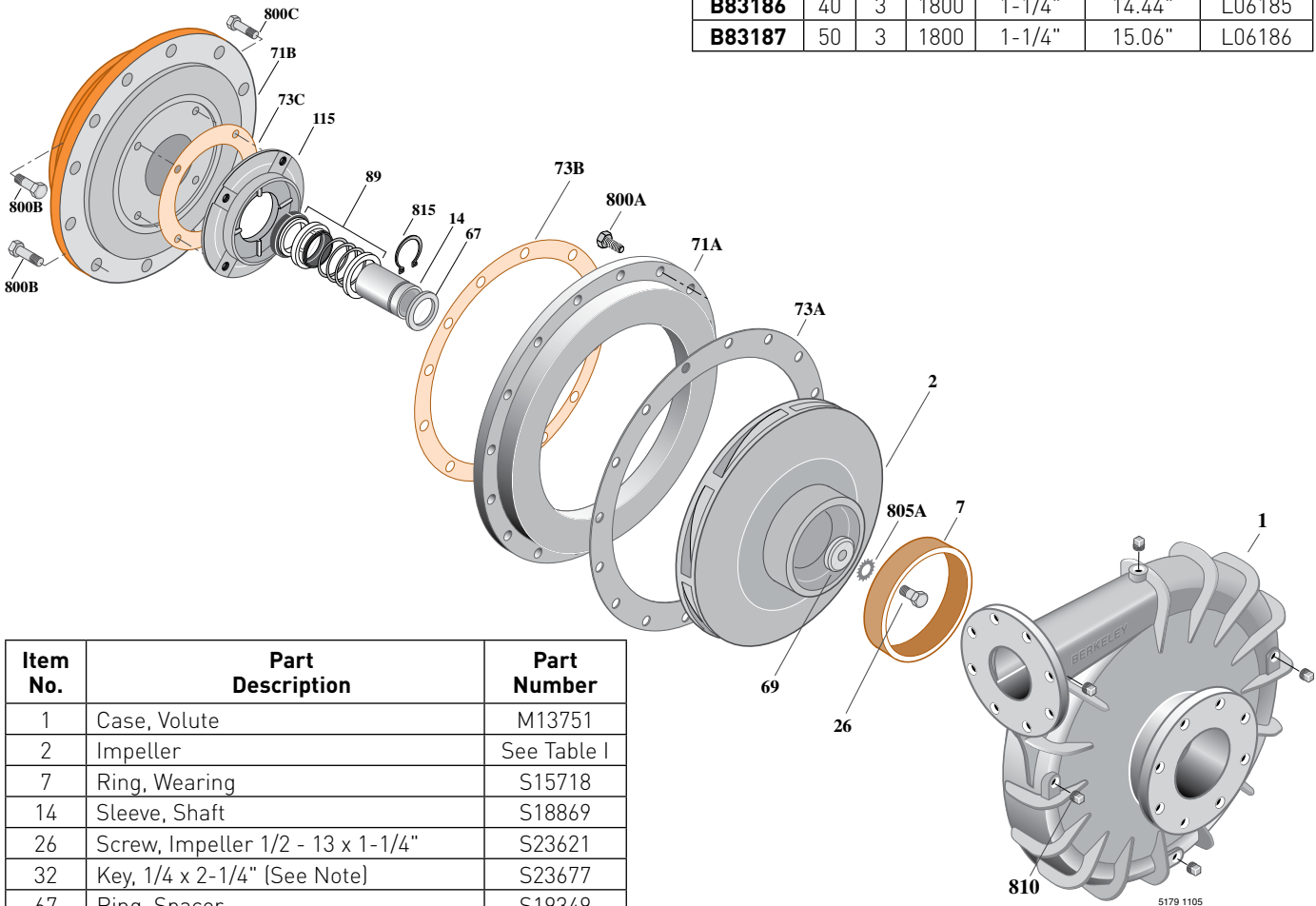
Flanged Case, Mechanical Shaft Seal Construction

ELECTRIC MOTOR DRIVE

| | |
|---------------------|---------------|
| Section | CC |
| Page | 290.3.1 |
| Date | March 4, 2013 |
| Supersedes 12/01/05 | |

Table I

| B/M No. | HP | PH | RPM | "U" Dim. | Imp. Dia. | Imp. No. |
|---------------|----|----|------|----------|-----------|----------|
| B83186 | 40 | 3 | 1800 | 1-1/4" | 14.44" | L06185 |
| B83187 | 50 | 3 | 1800 | 1-1/4" | 15.06" | L06186 |



| Item No. | Part Description | Part Number |
|----------|---------------------------------------|--------------|
| 1 | Case, Volute | M13751 |
| 2 | Impeller | See Table I |
| 7 | Ring, Wearing | S15718 |
| 14 | Sleeve, Shaft | S18869 |
| 26 | Screw, Impeller 1/2 - 13 x 1-1/4" | S23621 |
| 32 | Key, 1/4 x 2-1/4" (See Note) | S23677 |
| 67 | Ring, Spacer | S19349 |
| 69 | Washer, Impeller | S06319 |
| 71A | Ring, Adapter | M13753 |
| 71B | Bracket | See Table II |
| 73A | Gasket, Suction Cover | S06401 |
| 73B | Gasket, Volute Case | S06271 |
| 73C | Gasket, Balance Ring | S09943 |
| 89 | Seal, Mechanical Shaft | S32015 |
| 115 | Ring, Balance | S19036 |
| 800A | Capscrew, 5/8 - 11 x 1-3/4" [16 Req.] | S27001 |
| 800B | Capscrew, 5/8 - 11 x 1-1/2" [16 Req.] | S26999 |
| 800C | Capscrew, 3/8 - 16 x 1" [4 Req.] | S26826 |
| 805 | Washer, Lock | S23038 |
| 810 | Plug, Pipe 1/2 NPT [4 Req.] | S23717 |
| 815 | Ring, Retaining | S16767 |

Table II

| HP | PH | Bracket No. | "AK" Fit | "U" Dim. | Motor Frame |
|----|----|-------------|----------|----------|-------------|
| 40 | 3 | H03301 | 12-1/2" | 1-1/4" | 324JM |
| 50 | 3 | H03301 | 12-1/2" | 1-1/4" | 326JM |

NOTE: For an explanation of the tabulated material found on this page and for impeller key location, refer to **Supplement A** located at the beginning of this section.



BERKELEY® B4EYPBMS

Cast Iron Impeller

Flanged Case, Mechanical Shaft Seal Construction

ELECTRIC MOTOR DRIVE

| | |
|---------------------|---------------|
| Section | CC |
| Page | 290.4 |
| Date | March 4, 2013 |
| Supersedes 06/01/95 | |

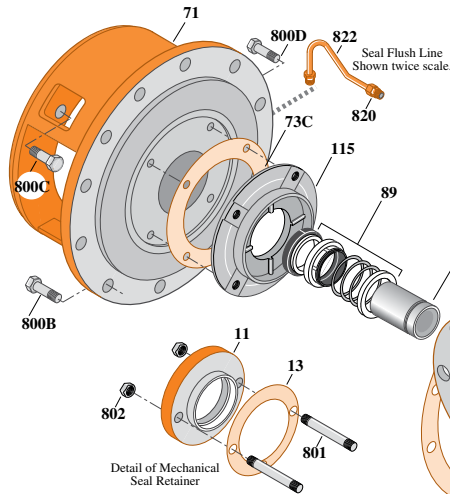
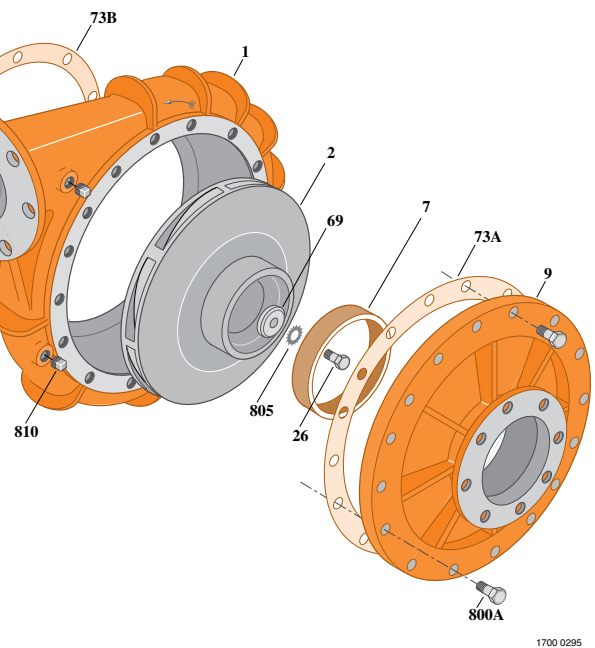


Table I

| B/M No. | HP | PH | RPM | "U" Dim. | Imp. Dia. | Imp. No. |
|---------|-----|----|------|----------|-----------|----------|
| B62039 | 60 | 3 | 1800 | 1-5/8" | 16.00" | L06187 |
| B62041 | 75 | 3 | 1800 | 1-5/8" | 16.94" | L06188 |
| B62043 | 100 | 3 | 1800 | 1-5/8" | 17.88" | L02425 |

| Item No. | Part Description | Part Number |
|----------|--|--------------|
| 1 | Case, Volute | L01536 |
| 2 | Impeller | See Table I |
| 7 | Ring, Wearing | S15718 |
| 9 | Cover, Suction | L01541 |
| 11 | Retainer, Mechanical Shaft Seal | S15377 |
| 14 | Sleeve, Shaft | S07073 |
| 26 | Screw, Impeller 1/2 - 13 x 1-1/4" | S23621 |
| 32 | Key, 1/4 x 2-1/4" (See Note) | S23677 |
| 69 | Washer, Impeller (60-75 HP) | S34492 |
| 69 | Washer, Impeller (100 HP) | S07829 |
| 71 | Bracket | See Table II |
| 73A | Gasket, Suction Cover | S06401 |
| 73B | Gasket, Volute Case | S06271 |
| 73C | Gasket, Balance Ring | S09943 |
| 73D | Gasket, Seal Retainer | S15078 |
| 89 | Seal, Mechanical Shaft | S32016 |
| 115 | Ring, Balance | S13655 |
| 800A | Capscrew, 5/8 - 11 x 1-3/4" (20 Req.) | S27001 |
| 800B | Capscrew, 5/8 - 11 x 1-1/2" (12 Req.) | S26999 |
| 800C | Capscrew, 3/8 - 16 x 1-1/2" (4 Req.) | S26830 |
| 801 | Stud, 3/8 - 16 x 2-1/2" (2 Req.) | S04438 |
| 802 | Nut, 3/8 - 16 (2 Req.) | S23343 |
| 805 | Washer, Lock (Not On 100 HP) | S23038 |
| 810 | Plug, Pipe 1/2 NPT (4 Req.) | S23717 |
| 820 | Connector, Comp. Fitting (2 Req.) | S24013 |
| 822 | Tubing, Copper | S20677 |
| | • Plug, Pipe 1/8 NPT (Not Illustrated) | S23714 |
| | • Plug, Pipe 1/4 NPT (Not Illustrated) | S23715 |



1700 0295

Table II

| HP | PH | Bracket No. | "AK" Fit | "U" Dim. | Motor Frame |
|-----|----|-------------|----------|----------|-------------|
| 60 | 3 | H03936 | 12-1/2" | 1-5/8" | 364JP |
| 75 | 3 | H03936 | 12-1/2" | 1-5/8" | 365JP |
| 100 | 3 | H03936 | 12-1/2" | 1-5/8" | 404TC |

NOTE: For an explanation of the tabulated material found on this page and for impeller key location, refer to **Supplement A** located at the beginning of this section.



BERKELEY® B4EYPBMS

ELECTRIC MOTOR DRIVE

Cast Iron Impeller

Flanged Case, Mechanical Shaft Seal Construction

| | |
|---------------------|---------------|
| Section | CC |
| Page | 290.4.1 |
| Date | March 4, 2013 |
| Supersedes 12/01/05 | |

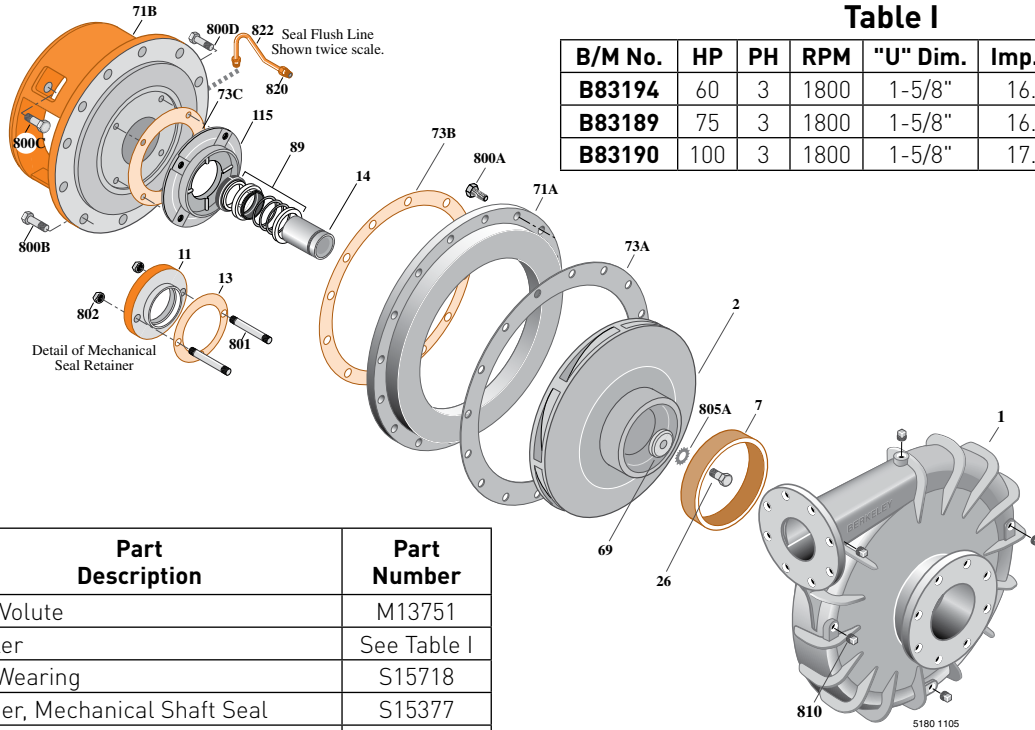


Table I

| B/M No. | HP | PH | RPM | "U" Dim. | Imp. Dia. | Imp. No. |
|---------|-----|----|------|----------|-----------|----------|
| B83194 | 60 | 3 | 1800 | 1-5/8" | 16.00" | L06187 |
| B83189 | 75 | 3 | 1800 | 1-5/8" | 16.94" | L06188 |
| B83190 | 100 | 3 | 1800 | 1-5/8" | 17.88" | L02425 |

| Item No. | Part Description | Part Number |
|----------|--|--------------|
| 1 | Case, Volute | M13751 |
| 2 | Impeller | See Table I |
| 7 | Ring, Wearing | S15718 |
| 11 | Retainer, Mechanical Shaft Seal | S15377 |
| 14 | Sleeve, Shaft | S07073 |
| 26 | Screw, Impeller 1/2 - 13 x 1-1/4" | S23621 |
| 32 | Key, 1/4 x 2-1/4" [See Note] | S23677 |
| 69 | Washer, Impeller (60-75 HP) | S34492 |
| 69 | Washer, Impeller (100 HP) | S07829 |
| 71A | Ring, Adapter | M13753 |
| 71B | Bracket | See Table II |
| 73A | Gasket, Suction Cover | S06401 |
| 73B | Gasket, Volute Case | S06271 |
| 73C | Gasket, Balance Ring | S09943 |
| 73D | Gasket, Seal Retainer | S15078 |
| 89 | Seal, Mechanical Shaft | S32016 |
| 115 | Ring, Balance | S13655 |
| 800A | Capscrew, 5/8 - 11 x 1-3/4" [20 Req.] | S27001 |
| 800B | Capscrew, 5/8 - 11 x 1-1/2" [12 Req.] | S26999 |
| 800C | Capscrew, 3/8 - 16 x 1-1/2" [4 Req.] | S26830 |
| 801 | Stud, 3/8 - 16 x 2-1/2" [2 Req.] | S04438 |
| 802 | Nut, 3/8 - 16 [2 Req.] | S23343 |
| 805 | Washer, Lock (Not On 100 HP) | S23038 |
| 810 | Plug, Pipe 1/2 NPT [4 Req.] | S23717 |
| 820 | Connector, Comp. Fitting [2 Req.] | S24013 |
| 822 | Tubing, Copper | S20677 |
| | • Plug, Pipe 1/8 NPT (Not Illustrated) | S23714 |
| | • Plug, Pipe 1/4 NPT (Not Illustrated) | S23715 |

Table II

| HP | PH | Bracket No. | "AK" Fit | "U" Dim. | Motor Frame |
|-----|----|-------------|----------|----------|-------------|
| 60 | 3 | H03936 | 12-1/2" | 1-5/8" | 364JP |
| 75 | 3 | H03936 | 12-1/2" | 1-5/8" | 365JP |
| 100 | 3 | H03936 | 12-1/2" | 1-5/8" | 404TC |

NOTE: For an explanation of the tabulated material found on this page and for impeller key location, refer to **Supplement A** located at the beginning of this section.

