

# BERKELEY® B4EQM

## Cast Iron Impeller

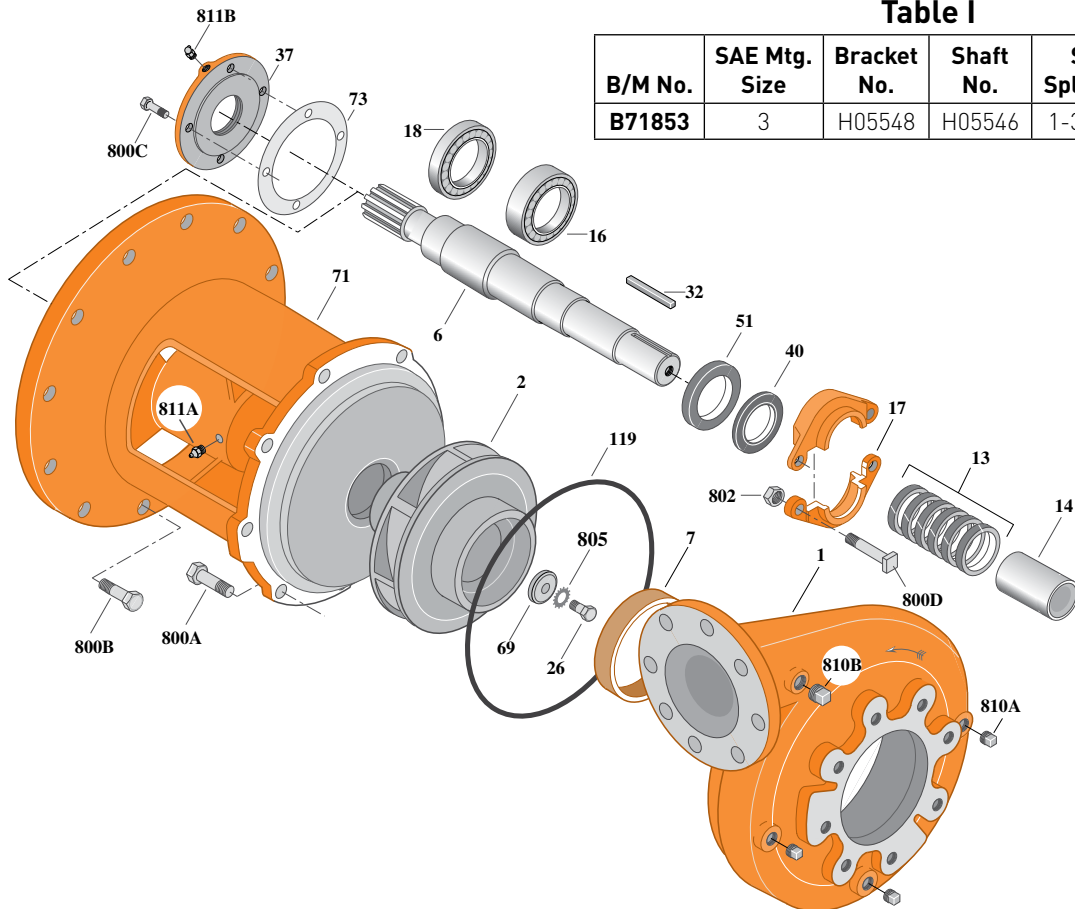
Flanged Case, Packing Construction

### SAE ENGINE MOUNT

|                     |               |
|---------------------|---------------|
| Section             | SAE           |
| Page                | 110.1         |
| Date                | March 4, 2013 |
| Supersedes 01/01/04 |               |

**Table I**

| B/M No. | SAE Mtg. Size | Bracket No. | Shaft No. | Shaft Spline No. | Shaft Ext. |
|---------|---------------|-------------|-----------|------------------|------------|
| B71853  | 3             | H05548      | H05546    | 1-3/8-10T        | 3"         |



| Item No. | Part Description              | Part Number |
|----------|-------------------------------|-------------|
| 1        | Case, Volute                  | H01939      |
| 2        | Impeller                      | M04821      |
| 6        | Shaft                         | See Table I |
| 7        | Ring, Wearing                 | S13061      |
| 13       | Ring, Packing [Set of 6]      | S14023      |
| 14       | Sleeve, Shaft                 | S05974      |
| 16       | Bearing, Ball                 | S13396      |
| 17       | Gland, Packing                | B82472      |
| 18       | Bearing, Ball                 | S13395      |
| 26       | Screw, Impeller 1/2-13x1-1/2" | S23623      |
| 32       | Key, 1/4 x 2-1/4"             | S23677      |
| 37       | Outer Bearing Cap             | M10979      |
| 40       | Slinger, Water                | S10964      |
| 51       | Seal, Oil                     | S14765      |

| Item No. | Part Description                      | Part Number |
|----------|---------------------------------------|-------------|
| 69       | Washer, Impeller                      | S06317      |
| 71       | Bracket                               | See Table I |
| 73       | Gasket                                | S18055      |
| 119      | O-Ring                                | S13760      |
| 800A     | Capscrew, Hex 1/2-13x1-1/4" (8 Req.)  | S26914      |
| 800B     | Capscrew, Hex 3/8-16x1" (12 Req.)     | S26826      |
| 800C     | Capscrew, Hex 1/4-20x3/4" (4 Req.)    | S23119      |
| 800D     | Bolt, Sq. Head 1/2-13x2-1/2" (2 Req.) | S23793      |
| 802      | Nut, Hex 1/2-13x7/16" (2 Req.)        | S23347      |
| 805      | Washer, Lock                          | S23038      |
| 810A     | Plug, Pipe 1/4 NPT (3 Req.)           | S23715      |
| 810B     | Plug, Pipe 1/2 NPT (2 Req.)           | S23717      |
| 811A     | Fitting, Grease                       | S23670      |
| 811B     | Fitting, Grease                       | S23702      |



# BERKELEY® B4EQM

## SAE ENGINE MOUNT

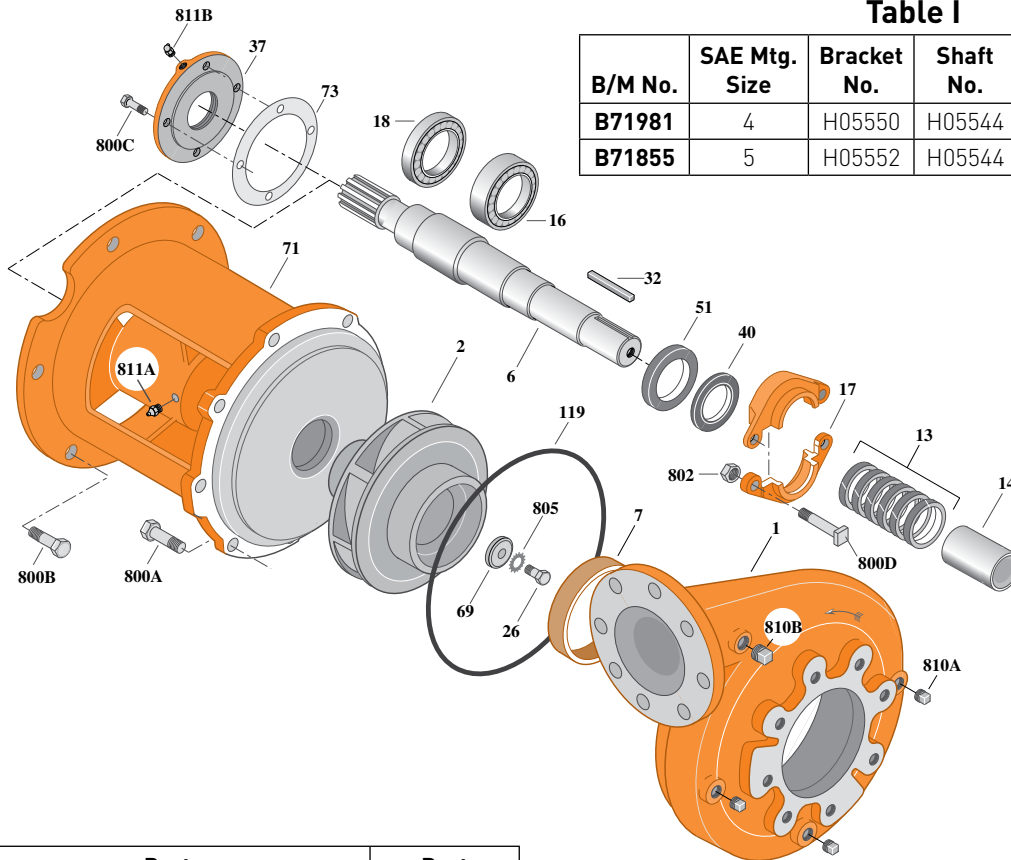
### Cast Iron Impeller

Flanged Case, Packing Construction

|                     |               |
|---------------------|---------------|
| Section             | SAE           |
| Page                | 110.2         |
| Date                | March 4, 2013 |
| Supersedes 01/01/04 |               |

**Table I**

| B/M No.       | SAE Mtg. Size | Bracket No. | Shaft No. | Shaft Spline No. | Shaft Ext. |
|---------------|---------------|-------------|-----------|------------------|------------|
| <b>B71981</b> | 4             | H05550      | H05544    | 1-3/8-10T        | 2-1/2"     |
| <b>B71855</b> | 5             | H05552      | H05544    | 1-3/8-10T        | 2-1/2"     |



| Item No. | Part Description              | Part Number |
|----------|-------------------------------|-------------|
| 1        | Case, Volute                  | H01939      |
| 2        | Impeller                      | M04821      |
| 6        | Shaft                         | See Table I |
| 7        | Ring, Wearing                 | S13061      |
| 13       | Ring, Packing (Set of 6)      | S14023      |
| 14       | Sleeve, Shaft                 | S05974      |
| 16       | Bearing, Ball                 | S13396      |
| 17       | Gland, Packing                | B82472      |
| 18       | Bearing, Ball                 | S13395      |
| 26       | Screw, Impeller 1/2-13x1-1/2" | S23623      |
| 32       | Key, 1/4 x 2-1/4"             | S23677      |
| 37       | Outer Bearing Cap             | M10979      |
| 40       | Slinger, Water                | S10964      |
| 51       | Seal, Oil                     | S14765      |
| 69       | Washer, Impeller              | S06317      |

| Item No. | Part Description                     | Part Number |
|----------|--------------------------------------|-------------|
| 71       | Bracket                              | See Table I |
| 73       | Gasket                               | S18055      |
| 119      | O-Ring                               | S13760      |
| 800A     | Capscrew, Hex 1/2-13x1-1/4" (8 Req.) | S26914      |
| 800B     | Capscrew, Hex 3/8-16x1-1/2" (7 Req.) | S26830      |
| 800C     | Capscrew, Hex 1/4-20x3/4" (4 Req.)   | S23119      |
| 800D     | Bolt, 1/2-13x2-1/2" (2 Req.)         | S23793      |
| 802      | Nut, Hex 1/2-13x7/16" (2 Req.)       | S23347      |
| 805      | Washer, Lock                         | S23038      |
| 810A     | Plug, Pipe 1/4 NPT (3 Req.)          | S23715      |
| 810B     | Plug, Pipe 1/2 NPT (2 Req.)          | S23717      |
| 811A     | Fitting, Grease                      | S23670      |
| 811B     | Fitting, Grease                      | S23702      |
| •        | Plug, Pipe 1/8 NPT                   | S13883      |

• Not illustrated.

