

# BERKELEY® B4EPBM

## Cast Iron Impeller

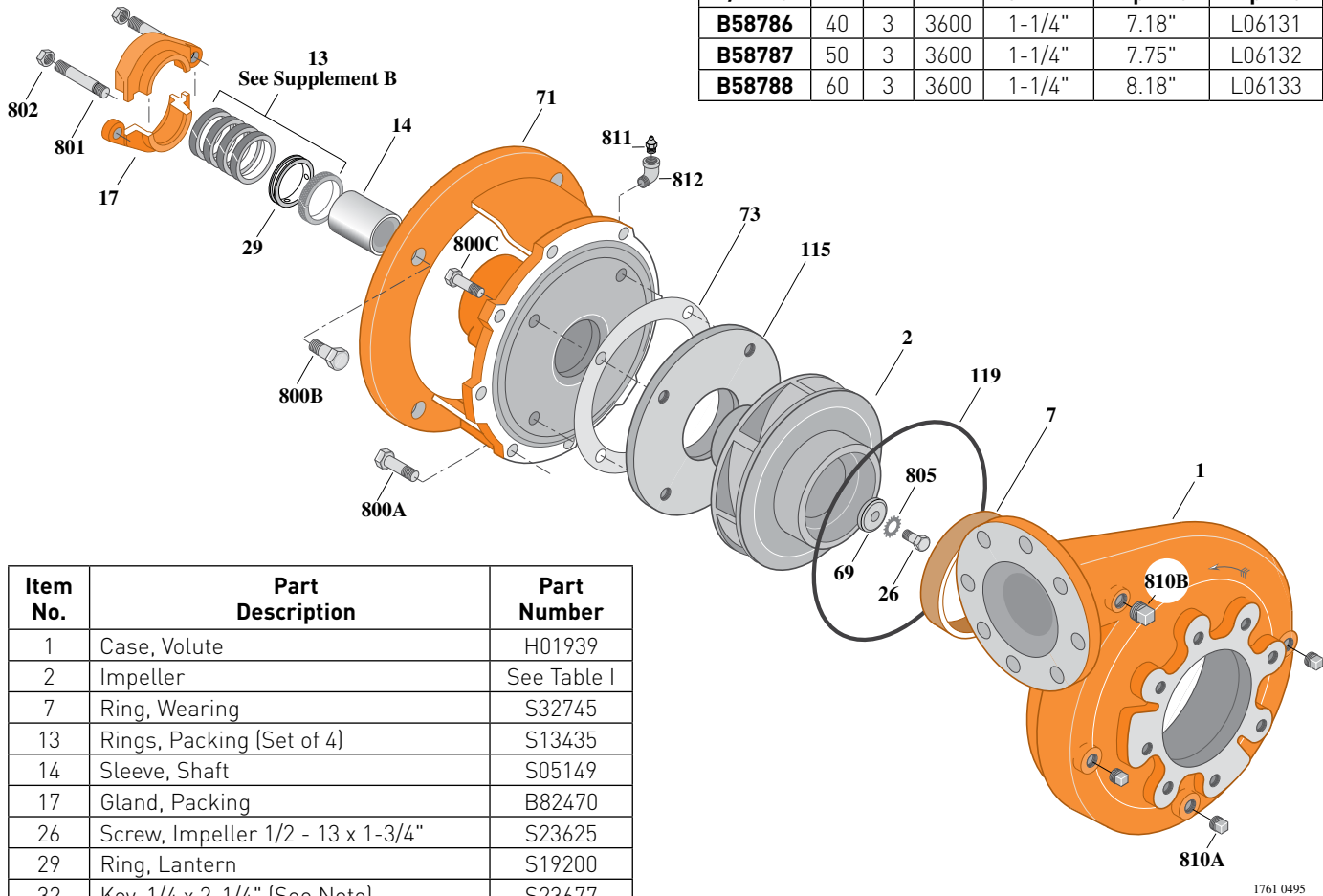
Flanged Case, Packing Construction

### ELECTRIC MOTOR DRIVE

Section	CC
Page	260.1
Date	March 4, 2013
Supersedes 01/01/04	

**Table I**

B/M No.	HP	PH	RPM	"U" Dim.	Imp. Dia.	Imp. No.
B58786	40	3	3600	1-1/4"	7.18"	L06131
B58787	50	3	3600	1-1/4"	7.75"	L06132
B58788	60	3	3600	1-1/4"	8.18"	L06133



Item No.	Part Description	Part Number
1	Case, Volute	H01939
2	Impeller	See Table I
7	Ring, Wearing	S32745
13	Rings, Packing (Set of 4)	S13435
14	Sleeve, Shaft	S05149
17	Gland, Packing	B82470
26	Screw, Impeller 1/2 - 13 x 1-3/4"	S23625
29	Ring, Lantern	S19200
32	Key, 1/4 x 2-1/4" (See Note)	S23677
69	Washer, Impeller	S18117
71	Bracket	See Table II
73	Gasket, Balance Ring	S09943
115	Ring, Balance	L03649
119	O-Ring	S13760
800A	Capscrew, 1/2 - 13 x 1-1/4" (8 Req.)	S26914
800B	Capscrew, 5/8 - 11 x 1-1/2" (4 Req.)	S26999
800C	Capscrew, 3/8 - 16 x 1" (4 Req.)	S26826
801	Stud, 3/8 - 16 x 2-1/2" (2 Req.)	S04438
802	Nut, Hex 3/8 - 16 (2 Req.)	S23343
805	Washer, Lock	S23038
810A	Plug, Pipe 1/4 NPT (3 Req.)	S23715
810B	Plug, Pipe 1/2 NPT (2 Req.)	S23717
811	Fitting, Grease	S23700
812	Elbow, Street	S25421

**Table II**

HP	PH	Bracket No.	"AK" Fit	"U" Dim.	Motor Frame
40	3	L03497	12-1/2"	1-1/4"	286JP
50	3	L03497	12-1/2"	1-1/4"	324JP
60	3	L03497	12-1/2"	1-1/4"	326JP

**NOTE:** For an explanation of the tabulated material found on this page and for impeller key location, refer to **Supplement A** located at the beginning of this section.



# BERKELEY® B4EPBM

## Cast Iron Impeller

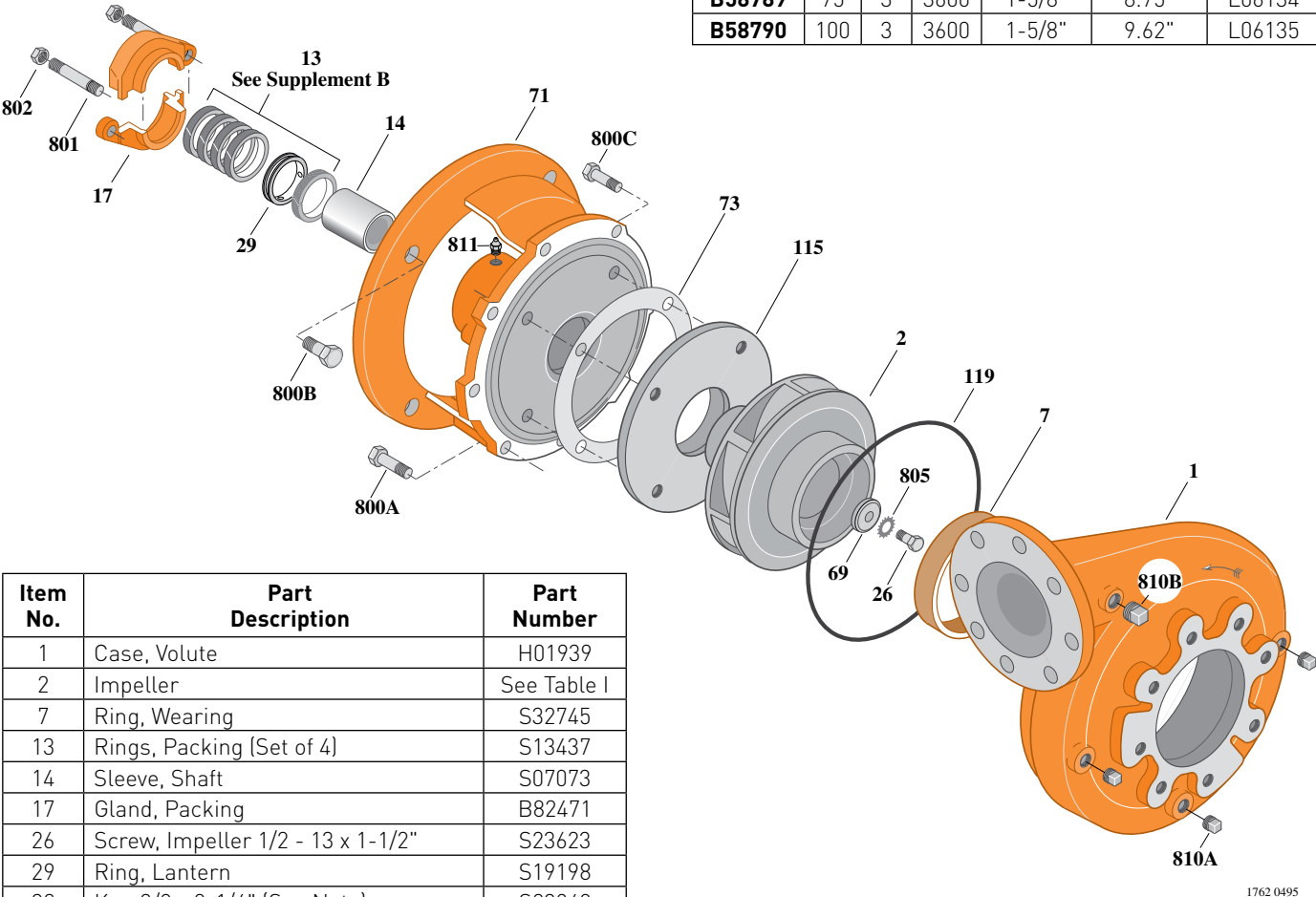
Flanged Case, Packing Construction

### ELECTRIC MOTOR DRIVE

Section	CC
Page	260.2
Date	March 4, 2013
Supersedes 01/01/04	

Table I

B/M No.	HP	PH	RPM	"U" Dim.	Imp. Dia.	Imp. No.
B58789	75	3	3600	1-5/8"	8.75"	L06134
B58790	100	3	3600	1-5/8"	9.62"	L06135



Item No.	Part Description	Part Number
1	Case, Volute	H01939
2	Impeller	See Table I
7	Ring, Wearing	S32745
13	Rings, Packing [Set of 4]	S13437
14	Sleeve, Shaft	S07073
17	Gland, Packing	B82471
26	Screw, Impeller 1/2 - 13 x 1-1/2"	S23623
29	Ring, Lantern	S19198
32	Key, 3/8 x 2-1/4" [See Note]	S23940
69	Washer, Impeller	S18801
71	Bracket	See Table II
73	Gasket, Balance Ring	S09943
115	Ring, Balance	L03837
119	O-Ring	S13760
800A	Capscrew, 1/2 - 13 x 1-1/4" [8 Req.]	S26914
800B	Capscrew, 5/8 - 11 x 1-1/2" [4 Req.]	S26999
800C	Capscrew, 3/8 - 16 x 1" [4 Req.]	S26826
801	Stud, 3/8 - 16 x 2-1/2" [2 Req.]	S04438
802	Nut, Hex 3/8 - 16 [2 Req.]	S23343
805	Washer, Lock	S23038
810A	Plug, Pipe 1/4 NPT [3 Req.]	S23715
810B	Plug, Pipe 1/2 NPT [2 Req.]	S23717
811	Fitting, Grease	S23700

Table II

HP	PH	Bracket No.	"AK" Fit	"U" Dim.	Motor Frame
75	3	L05610	12-1/2"	1-5/8"	364JP
100	3	L05610	12-1/2"	1-5/8"	365JP

**NOTE:** For an explanation of the tabulated material found on this page and for impeller key location, refer to **Supplement A** located at the beginning of this section.



# BERKELEY® B4EPBM

## Cast Iron Impeller

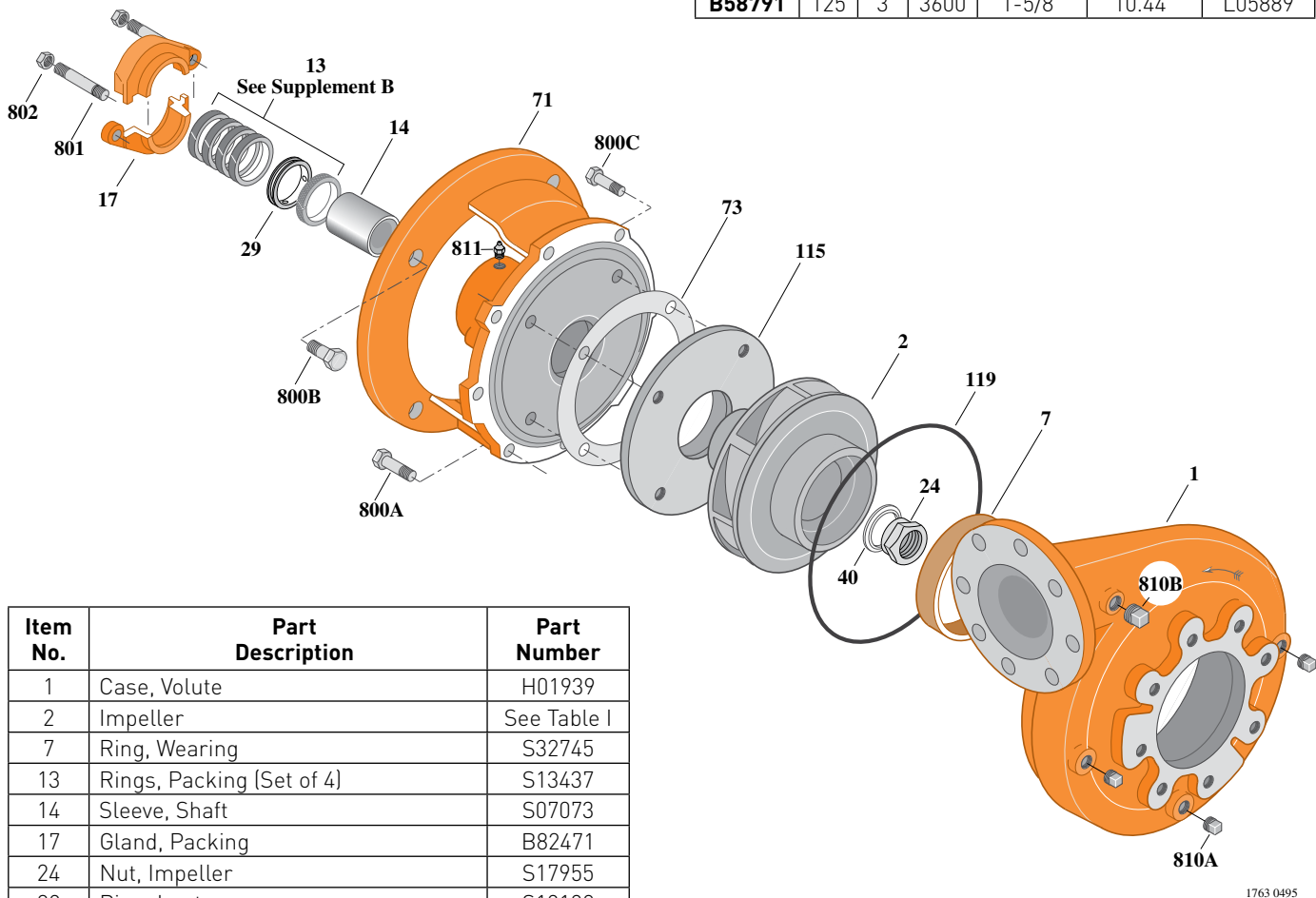
Flanged Case, Packing Construction

### ELECTRIC MOTOR DRIVE

Section	CC
Page	260.3
Date	March 4, 2013
Supersedes 01/01/04	

**Table I**

B/M No.	HP	PH	RPM	"U" Dim.	Imp. Dia.	Imp. No.
B58791	125	3	3600	1-5/8"	10.44"	L05889



Item No.	Part Description	Part Number
1	Case, Volute	H01939
2	Impeller	See Table I
7	Ring, Wearing	S32745
13	Rings, Packing (Set of 4)	S13437
14	Sleeve, Shaft	S07073
17	Gland, Packing	B82471
24	Nut, Impeller	S17955
29	Ring, Lantern	S19198
32	Key, 3/8 x 2-1/4" (See Note)	S23940
40	Deflector	S17956
71	Bracket	See Table II
73	Gasket, Balance Ring	S09943
115	Ring, Balance	L03837
119	O-Ring	S13760
800A	Capscrew, 1/2 - 13 x 1-1/4" [8 Req.]	S26914
800B	Capscrew, 5/8 - 11 x 1-1/2" [4 Req.]	S26999
800C	Capscrew, 3/8 - 16 x 7/8" [4 Req.]	S26825
801	Stud, 3/8 - 16 x 2-1/2" [2 Req.]	S04438
802	Nut, Hex 3/8 - 16 [2 Req.]	S23343
810A	Plug, Pipe 1/4 NPT [3 Req.]	S23715
810B	Plug, Pipe 1/2 NPT [2 Req.]	S23717
811	Fitting, Grease	S23700

**Table II**

HP	PH	Bracket No.	"AK" Fit	"U" Dim.	Motor Frame
125	3	L05610	12-1/2"	1-5/8"	404TC

**NOTE:** For an explanation of the tabulated material found on this page and for impeller key location, refer to **Supplement A** located at the beginning of this section.



# BERKELEY® B4EPBMS

## Cast Iron Impeller

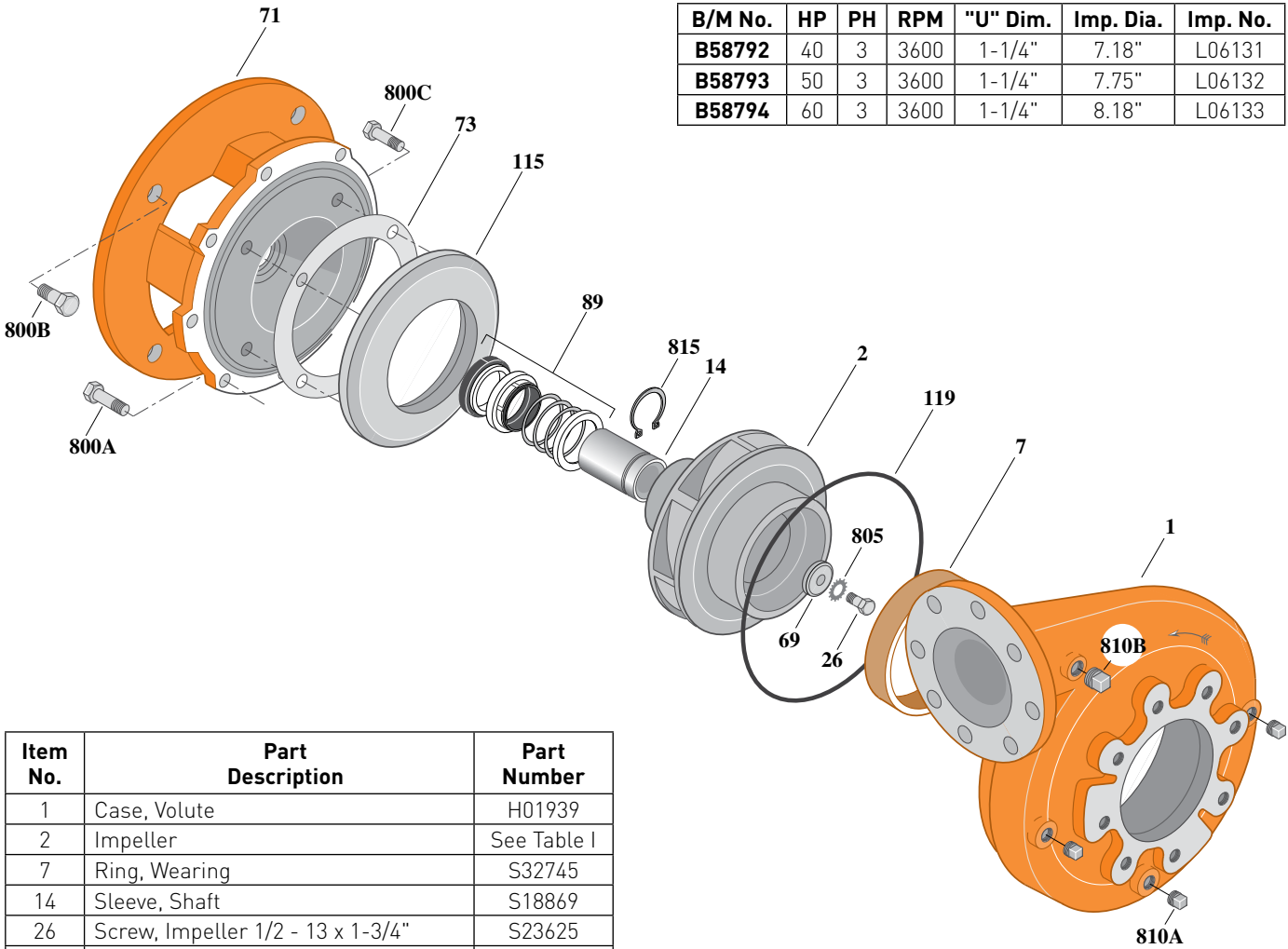
Flanged Case, Mechanical Shaft Seal Construction

## ELECTRIC MOTOR DRIVE

Section	CC
Page	260.4
Date	March 4, 2013
Supersedes 01/01/04	

Table I

B/M No.	HP	PH	RPM	"U" Dim.	Imp. Dia.	Imp. No.
B58792	40	3	3600	1-1/4"	7.18"	L06131
B58793	50	3	3600	1-1/4"	7.75"	L06132
B58794	60	3	3600	1-1/4"	8.18"	L06133



1678 0295

Item No.	Part Description	Part Number
1	Case, Volute	H01939
2	Impeller	See Table I
7	Ring, Wearing	S32745
14	Sleeve, Shaft	S18869
26	Screw, Impeller 1/2 - 13 x 1-3/4"	S23625
32	Key, 1/4 x 2-1/4" [See Note]	S23677
69	Washer, Impeller	S18117
71	Bracket	See Table II
73	Gasket, Balance Ring	S09943
89	Seal, Mechanical Shaft	S32015
115	Ring, Balance	L05263
119	O-Ring	S13760
800A	Capscrew, 1/2 - 13 x 1-1/4" [8 Req.]	S26914
800B	Capscrew, 5/8 - 11 x 1-1/2" [4 Req.]	S26999
800C	Capscrew, 3/8 - 16 x 3/4" [4 Req.]	S26824
805	Washer, Lock	S23038
810A	Plug, Pipe 1/4 NPT [3 Req.]	S23715
810B	Plug, Pipe 1/2 NPT [2 Req.]	S23717
815	Ring, Retaining	S16767

Table II

HP	PH	Bracket No.	"AK" Fit	"U" Dim.	Motor Frame
40	3	L04628	12-1/2"	1-1/4"	286JM
50	3	L04628	12-1/2"	1-1/4"	324JM
60	3	L04628	12-1/2"	1-1/4"	326JM

**NOTE:** For an explanation of the tabulated material found on this page and for impeller key location, refer to **Supplement A** located at the beginning of this section.



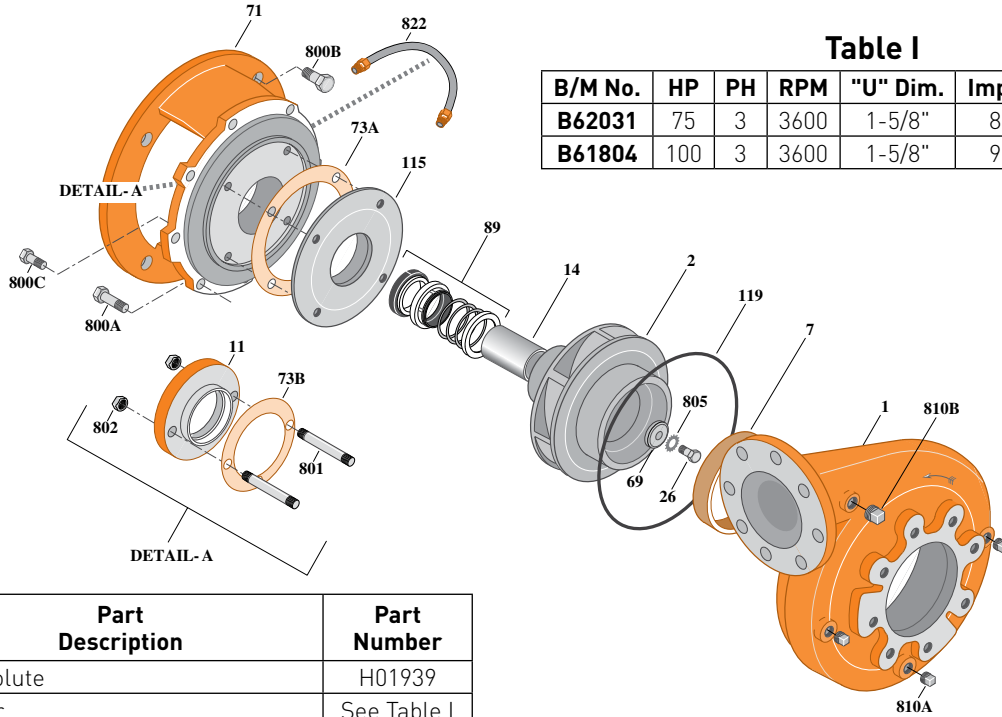
# BERKELEY® B4EPBMS

## Cast Iron Impeller

Flanged Case, Mechanical Shaft Seal Construction

### ELECTRIC MOTOR DRIVE

Section	CC
Page	260.5
Date	March 4, 2013
Supersedes 08/27/12	



**Table I**

B/M No.	HP	PH	RPM	"U" Dim.	Imp. Dia.	Imp. No.
B62031	75	3	3600	1-5/8"	8.75"	L06134
B61804	100	3	3600	1-5/8"	9.62"	L06135

Item No.	Part Description	Part Number
1	Case, Volute	H01939
2	Impeller	See Table I
7	Ring, Wearing	S32745
11	Retainer, Mechanical Shaft Seal	S15377
14	Sleeve, Shaft	S07073
26	Screw, Impeller 1/2 - 13 x 1-1/2"	S23623
32	Key, 3/8 x 2" (75 HP) [See Note]	S23939
32	Key, 3/8 x 2-1/4" (100 HP) [See Note]	S23940
69	Washer, Impeller	S18801
71	Bracket	See Table II
73A	Gasket, Balance Ring	S09943
73B	Gasket, Seal Retainer	S15078
89	Seal, Mechanical Shaft	S32016
115	Ring, Balance	L03837
119	O-Ring	S13760
800A	Cap screw, 1/2 - 13 x 1-1/4" [8 Req.]	S26914
800B	Cap screw, 5/8 - 11 x 1-3/4" [4 Req.]	S27001
800C	Cap screw, 3/8 - 16 x 1" [4 Req.]	S26826
801	Stud, 3/8 - 16 x 2-1/2" [2 Req.]	S04438
802	Nut, 3/8 x 16 [2 Req.]	S23343
805	Washer, Lock	S23038
810A	Plug, Pipe 1/4 NPT [3 Req.]	S23715
810B	Plug, Pipe, 1/2 NPT [2 Req.]	S23717
820	Connector, Comp. Fitting [2 Req.]	S24013
822	Hose, Buna Tube	M15789
•	Plug, Pipe 1/8 NPT (At Seal Bore)	S23714

• Not illustrated.

**Table II**

HP	PH	Bracket No.	"AK" Fit	"U" Dim.	Motor Frame
75	3	L06315	12-1/2"	1-5/8"	364JP
100	3	L06315	12-1/2"	1-5/8"	365JP

**NOTE:** For an explanation of the tabulated material found on this page and for impeller key location, refer to **Supplement A** located at the beginning of this section.



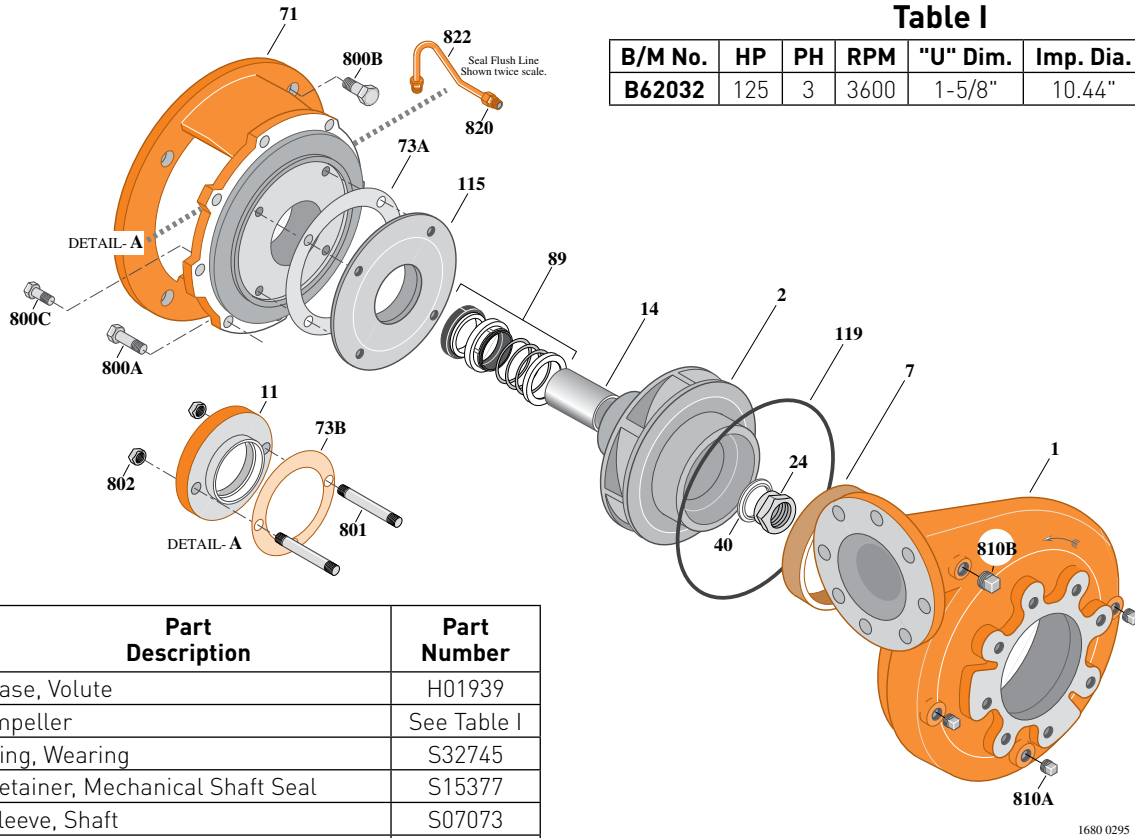
# BERKELEY® B4EPBMS

## Cast Iron Impeller

Flanged Case, Mechanical Shaft Seal Construction

### ELECTRIC MOTOR DRIVE

Section	CC
Page	260.6
Date	March 4, 2013
Supersedes 01/01/04	



**Table I**

B/M No.	HP	PH	RPM	"U" Dim.	Imp. Dia.	Imp. No.
B62032	125	3	3600	1-5/8"	10.44"	L05889

Item No.	Part Description	Part Number
1	Case, Volute	H01939
2	Impeller	See Table I
7	Ring, Wearing	S32745
11	Retainer, Mechanical Shaft Seal	S15377
14	Sleeve, Shaft	S07073
24	Locknut, Impeller	S17955
32	Key, 3/8 x 2-1/4" [See Note]	S23940
40	Deflector	S17956
71	Bracket	See Table II
73A	Gasket, Balance Ring	S09943
73B	Gasket, Seal Retainer	S15078
89	Seal, Mechanical Shaft	S32016
115	Ring, Balance	L03837
119	O-Ring	S13760
800A	Capscrew, 1/2 - 13 x 1-1/4" [8 Req.]	S26914
800B	Capscrew, 5/8 - 11 x 1-3/4" [4 Req.]	S27001
800C	Capscrew, 3/8 - 16 x 7/8" [4 Req.]	S26825
801	Stud, 3/8 - 16 x 2-1/2" [2 Req.]	S04438
802	Nut, 3/8 - 16 [2 Req.]	S23343
810A	Plug, Pipe 1/4 NPT [3 Req.]	S23715
810B	Plug, Pipe 1/2 NPT [2 Req.]	S23717
820	Connector, Comp. Fitting [2 Req.]	S24013
822	Tubing, Copper	S20677
•	Plug, Pipe 1/8 NPT (At Seal Bore)	S23714

**Table II**

HP	PH	Bracket No.	"AK" Fit	"U" Dim.	Motor Frame
125	3	L06315	12-1/2"	1-5/8"	404TC

**NOTE:** For an explanation of the tabulated material found on this page and for impeller key location, refer to **Supplement A** located at the beginning of this section.

• Not illustrated.



# BERKELEY® B4EPBMS

## Bronze Impeller

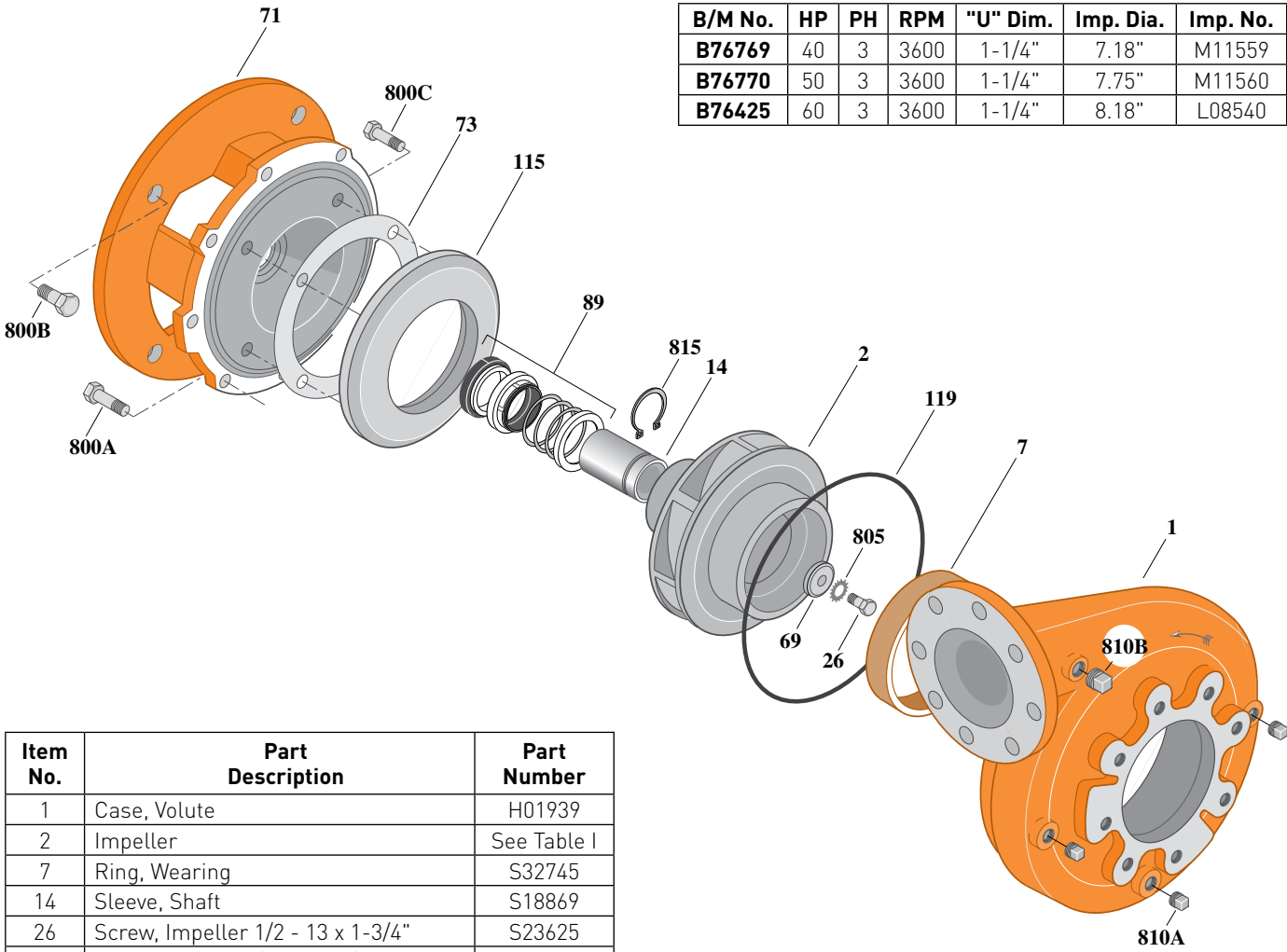
Flanged Case, Mechanical Shaft Seal Construction

### ELECTRIC MOTOR DRIVE

Section	CC
Page	260.7
Date	March 4, 2013
Supersedes 01/01/04	

**Table I**

B/M No.	HP	PH	RPM	"U" Dim.	Imp. Dia.	Imp. No.
<b>B76769</b>	40	3	3600	1-1/4"	7.18"	M11559
<b>B76770</b>	50	3	3600	1-1/4"	7.75"	M11560
<b>B76425</b>	60	3	3600	1-1/4"	8.18"	L08540



1678 0295

Item No.	Part Description	Part Number
1	Case, Volute	H01939
2	Impeller	See Table I
7	Ring, Wearing	S32745
14	Sleeve, Shaft	S18869
26	Screw, Impeller 1/2 - 13 x 1-3/4"	S23625
32	Key, 1/4 x 2-1/4" (See Note)	S23677
69	Washer, Impeller	S18117
71	Bracket	See Table II
73	Gasket, Balance Ring	S09943
89	Seal, Mechanical Shaft	S32015
115	Ring, Balance	L05263
119	O-Ring	S13760
800A	Capscrew, 1/2 - 13 x 1-1/4" [8 Req.]	S26914
800B	Capscrew, 5/8 - 11 x 1-1/2" [4 Req.]	S26999
800C	Capscrew, 3/8 - 16 x 3/4" [4 Req.]	S26824
805	Washer, Lock	S23038
810A	Plug, Pipe 1/4 NPT [3 Req.]	S23715
810B	Plug, Pipe 1/2 NPT [2 Req.]	S23717
815	Ring, Retaining	S16767

**Table II**

HP	PH	Bracket No.	"AK" Fit	"U" Dim.	Motor Frame
40	3	L04628	12-1/2"	1-1/4"	286JM
50	3	L04628	12-1/2"	1-1/4"	324JM
60	3	L04628	12-1/2"	1-1/4"	326JM

**NOTE:** For an explanation of the tabulated material found on this page and for impeller key location, refer to **Supplement A** located at the beginning of this section.



# BERKELEY® B4EPBMS

## Bronze Impeller

Flanged Case, Mechanical Shaft Seal Construction

ELECTRIC MOTOR DRIVE

Section	CC
Page	260.8
Date	March 4, 2013
Supersedes 01/01/04	

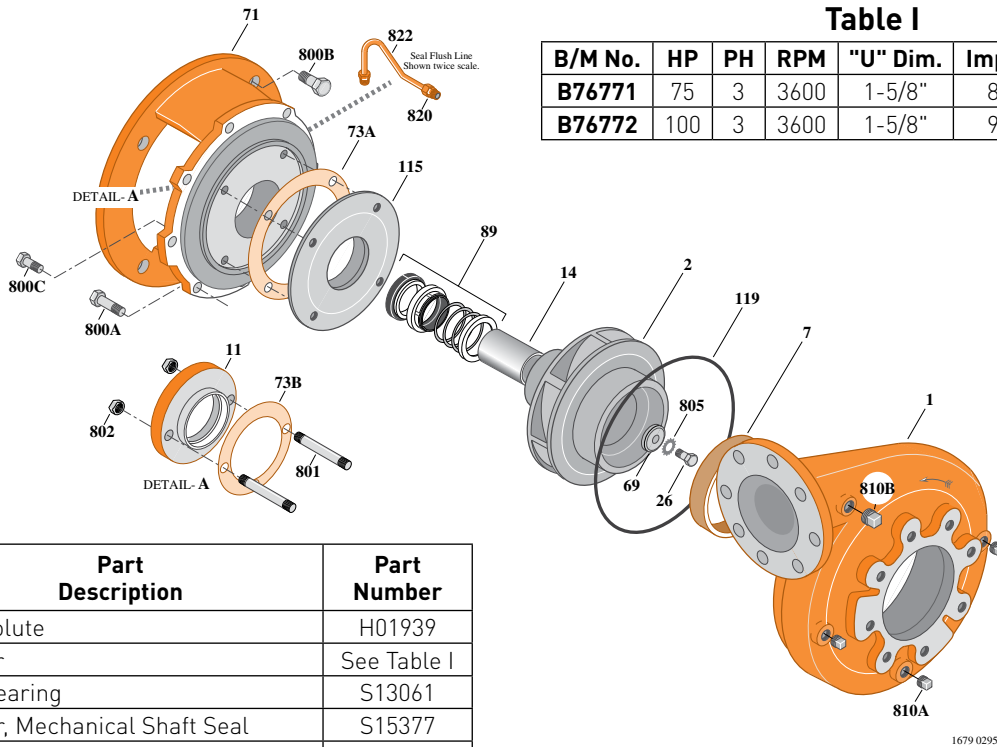


Table I

B/M No.	HP	PH	RPM	"U" Dim.	Imp. Dia.	Imp. No.
B76771	75	3	3600	1-5/8"	8.75"	L08529
B76772	100	3	3600	1-5/8"	9.62"	M11561

Item No.	Part Description	Part Number
1	Case, Volute	H01939
2	Impeller	See Table I
7	Ring, Wearing	S13061
11	Retainer, Mechanical Shaft Seal	S15377
14	Sleeve, Shaft	S07073
26	Screw, Impeller 1/2 - 13 x 1-1/2"	S23623
32	Key, 3/8 x 2" (75 HP) [See Note]	S23939
32	Key, 3/8 x 2-1/4" (100 HP) [See Note]	S23940
69	Washer, Impeller	S18801
71	Bracket	See Table II
73A	Gasket, Balance Ring	S09943
73B	Gasket, Seal Retainer	S15078
89	Seal, Mechanical Shaft	S32016
115	Ring, Balance	L03837
119	O-Ring	S13760
800A	Capscrew, 1/2 - 13 x 1-1/4" [8 Req.]	S26914
800B	Capscrew, 5/8 - 11 x 1-3/4" [4 Req.]	S27001
800C	Capscrew, 3/8 - 16 x 1" [4 Req.]	S26826
801	Stud, 3/8 - 16 x 2-1/2" [2 Req.]	S04438
802	Nut, 3/8 x 16 [2 Req.]	S23343
805	Washer, Lock	S23038
810A	Plug, Pipe 1/4 NPT [3 Req.]	S23715
810B	Plug, Pipe, 1/2 NPT [2 Req.]	S23717
820	Connector, Comp. Fitting [2 Req.]	S24013
822	Tubing, Copper	S20677
•	Plug, Pipe 1/8 NPT [At Seal Bore]	S23714

Table II

HP	PH	Bracket No.	"AK" Fit	"U" Dim.	Motor Frame
75	3	L06315	12-1/2"	1-5/8"	364JP
100	3	L06315	12-1/2"	1-5/8"	365JP

**NOTE:** For an explanation of the tabulated material found on this page and for impeller key location, refer to **Supplement A** located at the beginning of this section.

• Not illustrated.





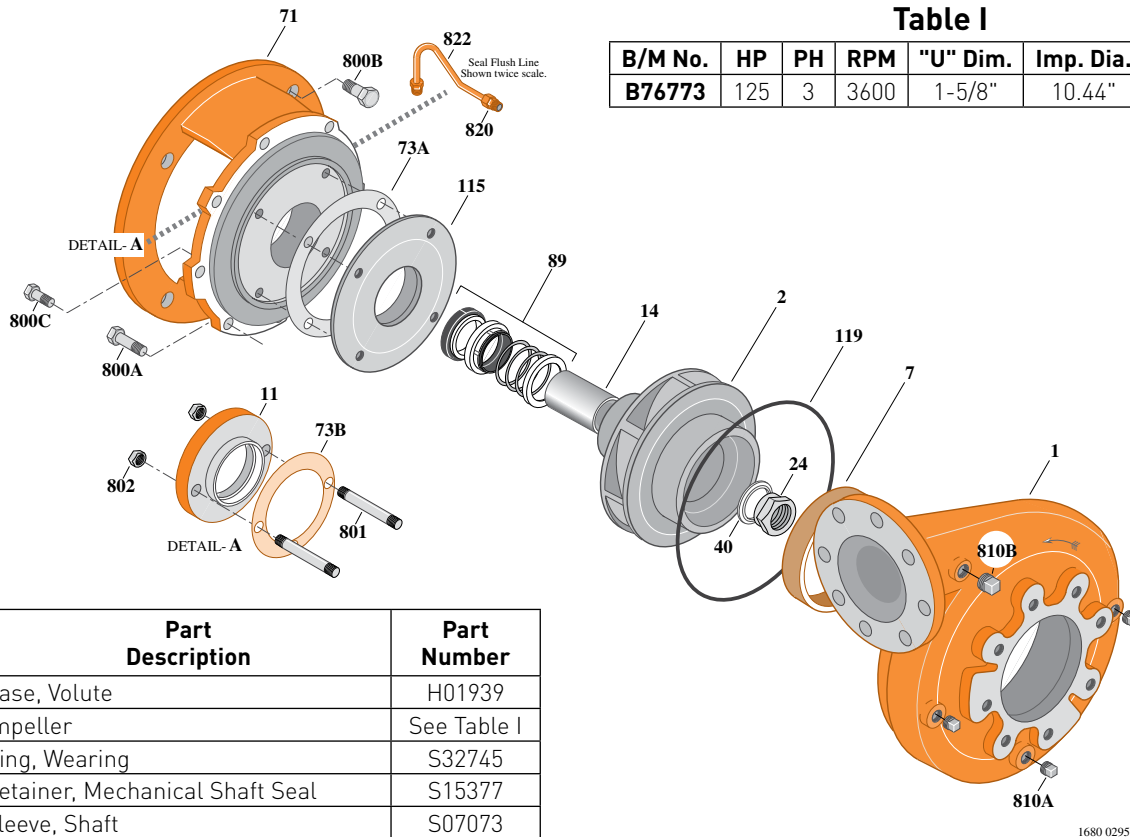
# BERKELEY® B4EPBMS

## Bronze Impeller

Flanged Case, Mechanical Shaft Seal Construction

### ELECTRIC MOTOR DRIVE

Section	CC
Page	260.9
Date	March 4, 2013
Supersedes 01/01/04	



**Table I**

B/M No.	HP	PH	RPM	"U" Dim.	Imp. Dia.	Imp. No.
<b>B76773</b>	125	3	3600	1-5/8"	10.44"	M11562

Item No.	Part Description	Part Number
1	Case, Volute	H01939
2	Impeller	See Table I
7	Ring, Wearing	S32745
11	Retainer, Mechanical Shaft Seal	S15377
14	Sleeve, Shaft	S07073
24	Locknut, Impeller	S17955
32	Key, 3/8 x 2-1/4" (See Note)	S23940
40	Deflector	S17956
71	Bracket	See Table II
73A	Gasket, Balance Ring	S09943
73B	Gasket, Seal Retainer	S15078
89	Seal, Mechanical Shaft	S32016
115	Ring, Balance	L03837
119	O-Ring	S13760
800A	Capscrew, 1/2 - 13 x 1-1/4" (8 Req.)	S26914
800B	Capscrew, 5/8 - 11 x 1-3/4" (4 Req.)	S27001
800C	Capscrew, 3/8 - 16 x 7/8" (4 Req.)	S26825
801	Stud, 3/8 - 16 x 2-1/2" (2 Req.)	S04438
802	Nut, 3/8 - 16 (2 Req.)	S23343
810A	Plug, Pipe 1/4 NPT (3 Req.)	S23715
810B	Plug, Pipe 1/2 NPT (2 Req.)	S23717
820	Connector, Comp. Fitting (2 Req.)	S24013
822	Tubing, Copper	S20677
•	Plug, Pipe 1/8 NPT (At Seal Bore)	S23714

• Not illustrated.

**Table II**

HP	PH	Bracket No.	"AK" Fit	"U" Dim.	Motor Frame
125	3	L06315	12-1/2"	1-5/8"	404TC

**NOTE:** For an explanation of the tabulated material found on this page and for impeller key location, refer to **Supplement A** located at the beginning of this section.

