

BERKELEY® B3ZQM

Cast Iron Impeller

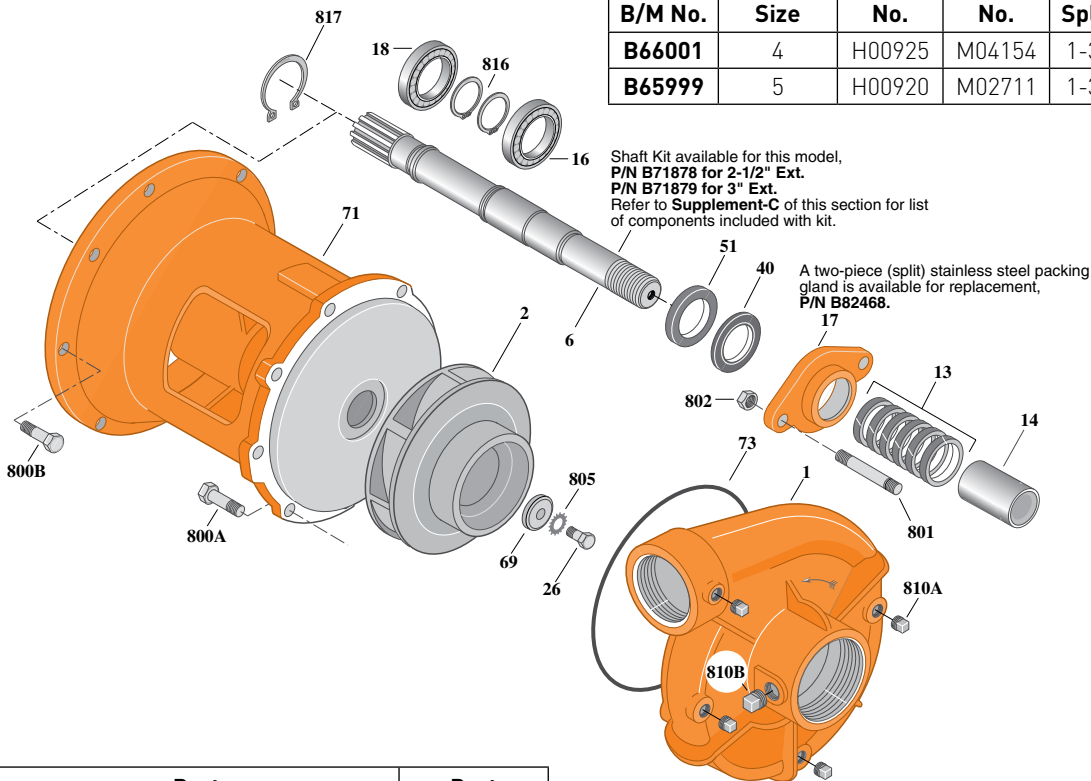
Threaded Case (NPT), Packing Construction

SAE ENGINE MOUNT

Section	SAE
Page	80.1
Date	March 4, 2013
Supersedes 03/01/11	

Table I

B/M No.	SAE Mtg. Size	Bracket No.	Shaft No.	Shaft Spline No.	Shaft Ext.
B66001	4	H00925	M04154	1-3/8-10T	3"
B65999	5	H00920	M02711	1-3/8-10T	2-1/2"



Item No.	Part Description	Part Number
1	Case, Volute	H00689
2	Impeller	M02153
6	Shaft [See Note]	See Table I
13	Ring, Packing [Set of 6]	S14022
14	Sleeve, Shaft	S05127
16	Bearing, Ball	S13270
17	Gland, Packing [See Note]	S04948
18	Bearing, Ball	S14059
26	Screw, Impeller 3/8-16x1"	S23566
40	Slinger, Water	S12260
51	Seal, Oil	S14762
69	Washer, Impeller	S06314
71	Bracket	See Table I
73	O-Ring [See Note]	M14943
800A	Capscrew, Hex 3/8-16x7/8" [8 Req.]	S26825
800B	Capscrew, Hex 3/8-16x1-1/4" [12 Req. - SAE 4]	S26828

Item No.	Part Description	Part Number
800B	Capscrew, Hex 3/8-16x1-1/4" [7 Req. - SAE 5]	S26828
801	Stud, 3/8-16x3" [2 Req.]	S04439
802	Nut, Hex 3/8-16 [2 Req.]	S23343
805	Washer, Lock	S23036
810A	Plug, Pipe, 1/4 NPT [4 Req.]	S23715
810B	Plug, Pipe, 1/2 NPT	S23717
816	Ring, Retaining [2 Req.]	S23010
817	Ring, Retaining	S24652
•	Fitting, Grease	S23700

• Not illustrated.

NOTE: Also accepts gasket **S05126** as replacement for O-Ring. See **Supplement E** located at the beginning of this section.



BERKELEY® B3ZQM

Cast Iron Impeller

Victaulic Case, Packing Construction

SAE ENGINE MOUNT

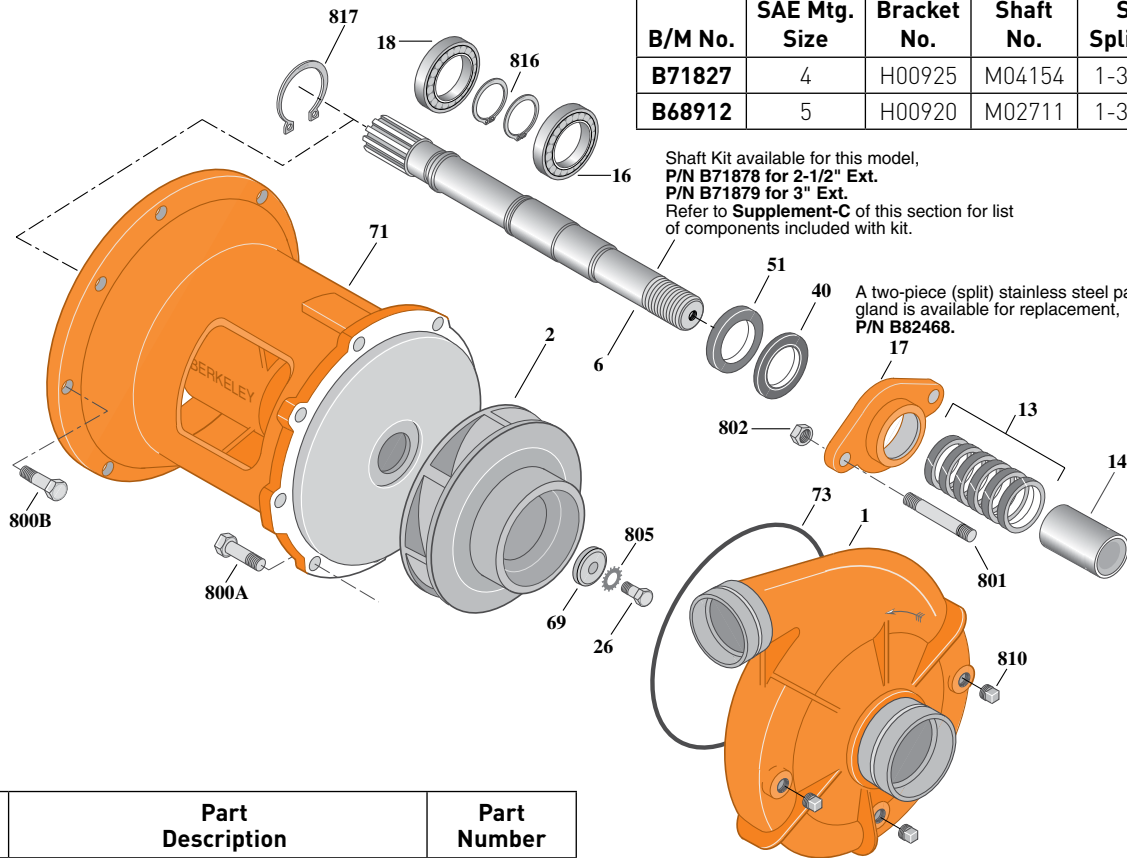
Section	SAE
Page	80.2
Date	March 4, 2013
Supersedes 03/01/11	

Table I

B/M No.	SAE Mtg. Size	Bracket No.	Shaft No.	Shaft Spline No.	Shaft Ext.
B71827	4	H00925	M04154	1-3/8-10T	3"
B68912	5	H00920	M02711	1-3/8-10T	2-1/2"

Shaft Kit available for this model,
P/N B71878 for 2-1/2" Ext.
P/N B71879 for 3" Ext.
 Refer to **Supplement-C** of this section for list of components included with kit.

A two-piece (split) stainless steel packing gland is available for replacement,
P/N B82468.



1962A 1210

Item No.	Part Description	Part Number
1	Case, Volute	H04040
2	Impeller	M02153
6	Shaft [See Note]	See Table I
13	Ring, Packing [Set of 6]	S14022
14	Sleeve, Shaft	S05127
16	Bearing, Ball	S13270
17	Gland, Packing [See Note]	S04948
18	Bearing, Ball	S14059
26	Screw, Impeller 3/8-16x1"	S23566
40	Slinger, Water	S12260
51	Seal, Oil	S14762
69	Washer, Impeller	S06314
71	Bracket	See Table I
73	O-Ring [See Note]	M14943
800A	Capscrew, Hex 3/8-16x7/8" [8 Req.]	S26825
800B	Capscrew, Hex 3/8-16x1-1/4" [12 Req. - SAE 4]	S26828

Item No.	Part Description	Part Number
800B	Capscrew, Hex 3/8-16x1-1/4" [7 Req. - SAE 5]	S26828
801	Stud, 3/8-16x3" [2 Req.]	S04439
802	Nut, Hex 3/8-16 [2 Req.]	S23343
805	Washer, Lock	S23036
810	Plug, Pipe, 1/4 NPT [3 Req.]	S23715
816	Ring, Retaining [2 Req.]	S23010
817	Ring, Retaining	S24652
•	Fitting, Grease	S23700

• Not illustrated.

NOTE: Also accepts gasket **S05126** as replacement for O-Ring. See **Supplement E** located at the beginning of this section.



BERKELEY® B3ZQM

Cast Iron Impeller

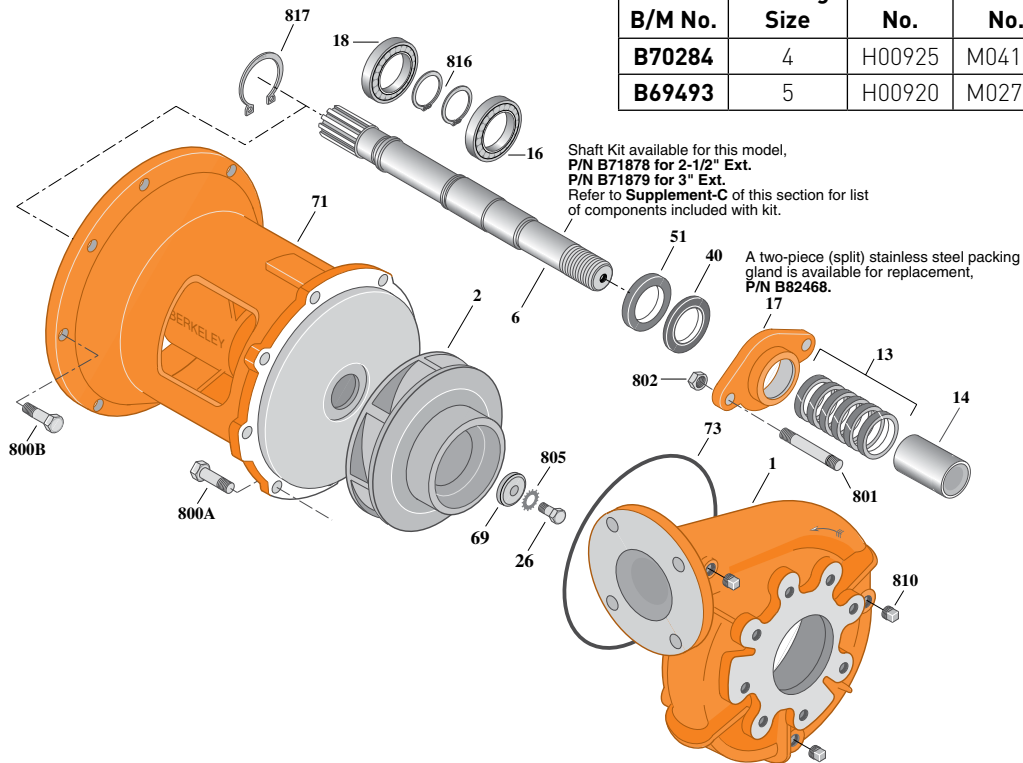
Flanged Case, Packing Construction

SAE ENGINE MOUNT

Section	SAE
Page	80.3
Date	March 4, 2013
Supersedes 07/01/11	

Table I

B/M No.	SAE Mtg. Size	Bracket No.	Shaft No.	Shaft Spline No.	Shaft Ext.
B70284	4	H00925	M04154	1-3/8-10T	3"
B69493	5	H00920	M02711	1-3/8-10T	2-1/2"



1961A 1210

Item No.	Part Description	Part Number
1	Case, Volute	H05130
2	Impeller	M02153
6	Shaft [See Note]	See Table I
13	Ring, Packing [Set of 6]	S14022
14	Sleeve, Shaft	S05127
16	Bearing, Ball	S13270
17	Gland, Packing [See Note]	S04948
18	Bearing, Ball	S14059
26	Screw, Impeller 3/8-16x1"	S23566
40	Slinger, Water	S12260
51	Seal, Oil	S14762
69	Washer, Impeller	S06314
71	Bracket	See Table I
73	O-Ring [See Note]	M14943
800A	Capscrew, Hex 3/8-16x1" [8 Req.]	S26826
800B	Capscrew, Hex 3/8-16x1-1/4" [12 Req. - SAE 5]	S26828

Item No.	Part Description	Part Number
800B	Capscrew, Hex 3/8-16x1-1/4" [7 Req. - SAE 5]	S26828
801	Stud, 3/8-16x3" [2 Req.]	S04439
802	Nut, Hex 3/8-16 [2 Req.]	S23343
805	Washer, Lock	S23036
810	Plug, Pipe, 1/4 NPT [3 Req.]	S23715
816	Ring, Retaining [2 Req.]	S23010
817	Ring, Retaining	S24652
•	Fitting, Grease	S23700

• Not illustrated.

NOTE: Also accepts gasket **S05126** as replacement for O-Ring. See **Supplement E** located at the beginning of this section.



BERKELEY® B3ZQMS

Cast Iron Impeller

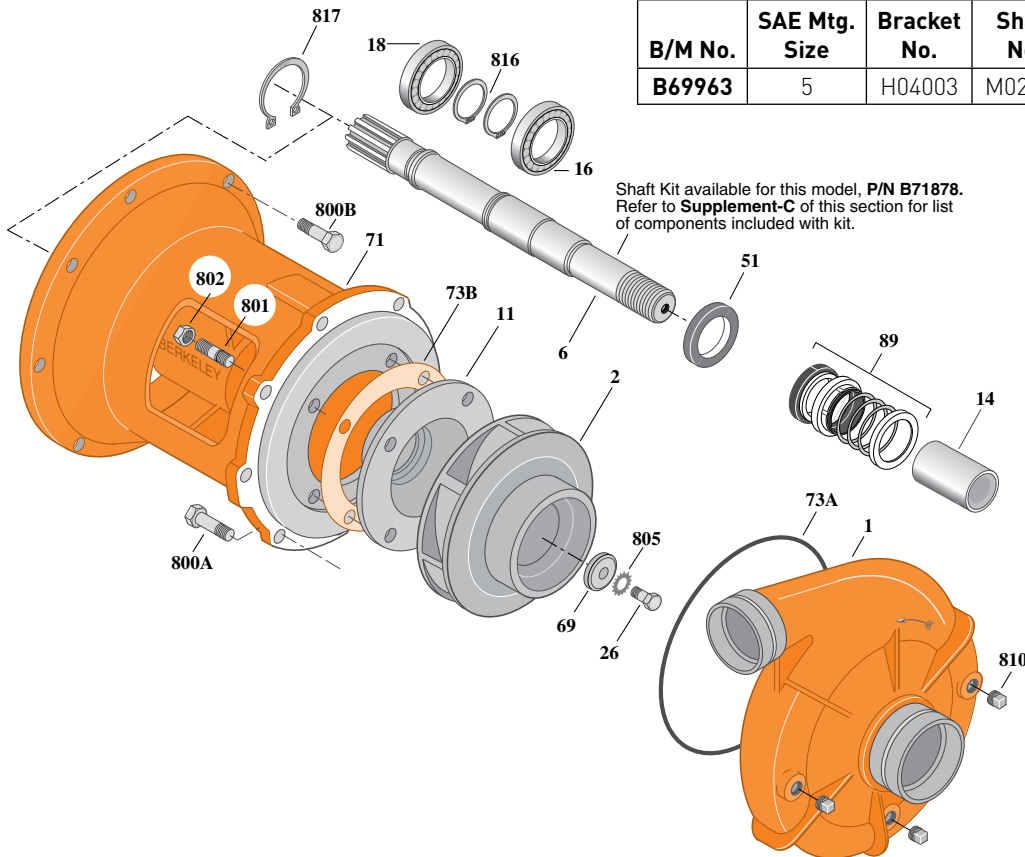
Victaulic Case, Mechanical Seal Construction

SAE ENGINE MOUNT

Section	SAE
Page	80.4
Date	March 4, 2013
Supersedes 07/01/11	

Table I

B/M No.	SAE Mtg. Size	Bracket No.	Shaft No.	Shaft Spline No.	Shaft Ext.
B69963	5	H04003	M02711	1-3/8-10T	2-1/2"



Item No.	Part Description	Part Number
1	Case, Volute	H04040
2	Impeller	M04275
6	Shaft [See Note]	See Table I
11	Seal, Retainer	M06063
14	Sleeve, Shaft	S05127
16	Bearing, Ball	S13270
18	Bearing, Ball	S14059
26	Screw, Impeller 3/8-16x1"	S23566
51	Seal, Oil	S14762
69	Washer, Impeller	S06314
71	Bracket	See Table I
73A	O-Ring [See Note]	M14943
73B	Gasket, Seal Retainer	S16800
89	Seal, Mechanical Shaft	S32690
800A	Capscrew, Hex 3/8-16x7/8" [8 Req.]	S26825

Item No.	Part Description	Part Number
800B	Capscrew, Hex 3/8-16x1" [7 Req.]	S26826
801	Stud, 3/8-16x1-1/4" [4 Req.]	S23944
802	Nut, Hex 3/8-16 [4 Req.]	S23103
805	Washer, Lock	S23036
810	Plug, Pipe, 1/4 NPT [3 Req.]	S23715
816	Ring, Retaining [2 Req.]	S23010
817	Ring, Retaining	S24652
•	Fitting, Grease	S23700

• Not illustrated.

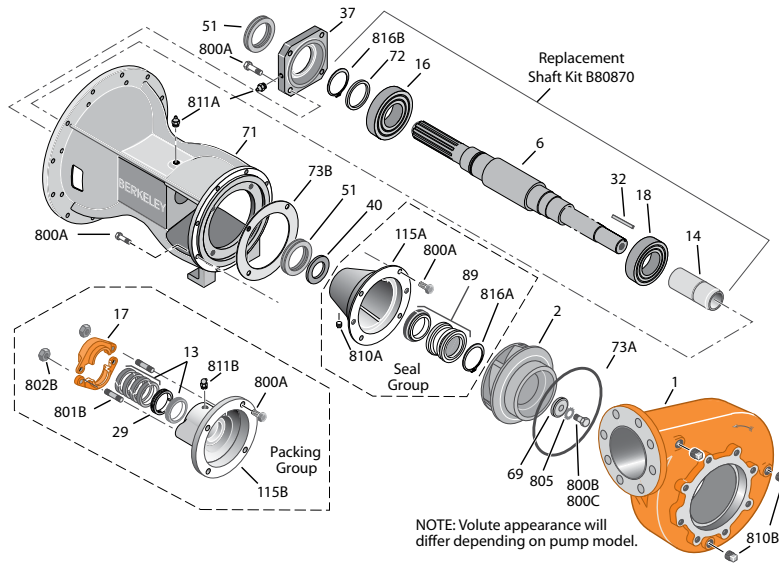
NOTE: Also accepts gasket **S05126** as replacement for O-Ring. See **Supplement E** located at the beginning of this section.



BERKELEY® B3ZQM(S) Cast Iron Impeller

SAE ENGINE MOUNT

Section	SAE
Page	80.5
Date	March 4, 2013
Supersedes 01/01/04	



B3ZQ Common Parts Groups Repair Parts List

Item No.	Part Description	Part Number
2	Impeller	M02911
6	Shaft, 1-1/2-10T SAE*	M12339
14	1-3/8 ID x 1-3/4 OD Shaft Sleeve	M12422
16	Single Row Ball Bearing	S13395
18	Ball Bearing	S13397
32	Shaft Key, 1/4" Sq. x 2-1/4" Lg.	S23677
37	Bearing Cap	M12335
40	Water Slinger	S10964
51	Grease Seal [2 Req.]	M12337
69	Lock Washer	S06319
71	Bracket	M12331
72	Thrust Ring	S06519
73A	Volute Gasket	S05126
73B	Balance Ring Gasket	S09943
800A	3/8-16 x 1" Lg. Hex Hd Capscrew (16 Req.)	S26826
800B	1/2-13 X 1" Lg Hex Hd. Capscrew	S23621
805	Lock Washer	S23038
811A	Grease Fitting [2 Req.]	S23700
816B	External Retaining Ring	S23016

* Sold only in Shaft Repair Kit B80870.

Packing Components

Item No.	Part Description	Part Number
13	Packing Ring Set	†
17	Split Packing Gland Set	B82470
29	Lantern Ring	S19200
115B	Packing Housing	M12334
801B	3/8-16NC x 2-1/2" Lg Stud [2 Req.]	S04438
802B	3/8-16 Hex Nut [2 Req.]	S23343
811B	1/8 MPT x 90° Grease Fitting	S23702

† See Supplement B.

Seal Components

Item No.	Part Description	Part Number
89	1-3/4" Mechanical Shaft Seal	S32015
115A	Mechanical Seal Housing	M12333
810A	1/8" NPT Sq. Hd. Pipe Plug	S23714
816A	External Retaining Ring	S16767

Refer to following page for model specific repair parts listing.



BERKELEY® B3ZQM(S)

Cast Iron Impeller

SAE ENGINE MOUNT

Section	SAE
Page	80.6
Date	March 4, 2013
Supersedes 01/01/04	

B3ZQM(S) Series 1-1/2" x 10T, SAE 4 & 5

Pump Series	Catalog Number	Style	Volute	Pipe Plugs	Part Number	Replacement Shaft Kit	Replacement Coupling	Clutch Size
B3ZQM Packing Construction	B80830	4" x 9" Flanged Suction 3" x 7-1/2" Flanged Discharge	H05130*	1/4" NPT QTY. 3	S23715	B80870	B80828	7.5"
	B80831						B80829	6.5"
	B80832						B77599	10"
	B80833						B80827	8"
	B80834	4" Victaulic Suction 3" Victaulic Discharge	H04040*	1/4" NPT QTY. 3	S23715		B80828	7.5"
	B80835						B80829	6.5"
	B80836						B80828	7.5"
	B80837	4" NPT Suction 3" NPT Discharge	H04040*	1/2" NPT QTY. 1	S23717		B80828	7.5"
	B80838						B80828	7.5"
	B80839	4" NPT Suction 3" NPT Discharge	H00689*	1/4" NPT QTY. 4	S23715		B80829	6.5"
	B80840						B77599	10"
	B80841						B80827	8"
	B80842						4" x 9" Flanged Suction 3" x 7-1/2" Flanged Discharge	H05130*
	B80843	B80829	6.5"					
B80844	B77599	10"						
B80845	B80827	8"						
B3ZQMS Mechanical Seal Construction	B80846	4" Victaulic Suction 3" Victaulic Discharge	H04040*	1/4" NPT QTY. 3	S23715	B80870	B80828	7.5"
	B80847						B80829	6.5"
	B80848						B80828	7.5"
	B80849	4" NPT Suction 3" NPT Discharge	H04040*	1/2" NPT QTY. 1	S23717		B80828	7.5"
	B80850						B80828	7.5"
	B80851	4" NPT Suction 3" NPT Discharge	H00689*	1/4" NPT QTY. 4	S23715		B80829	6.5"
	B80852						B77599	10"
	B80853						B80827	8"
	B80853						B80827	8"

* NOTE: Also accepts gasket S05126 as replacement O-Ring. See **Supplement E** located at the beginning of this section.

