

# BERKELEY® B3ZPM

## Cast Iron Impeller

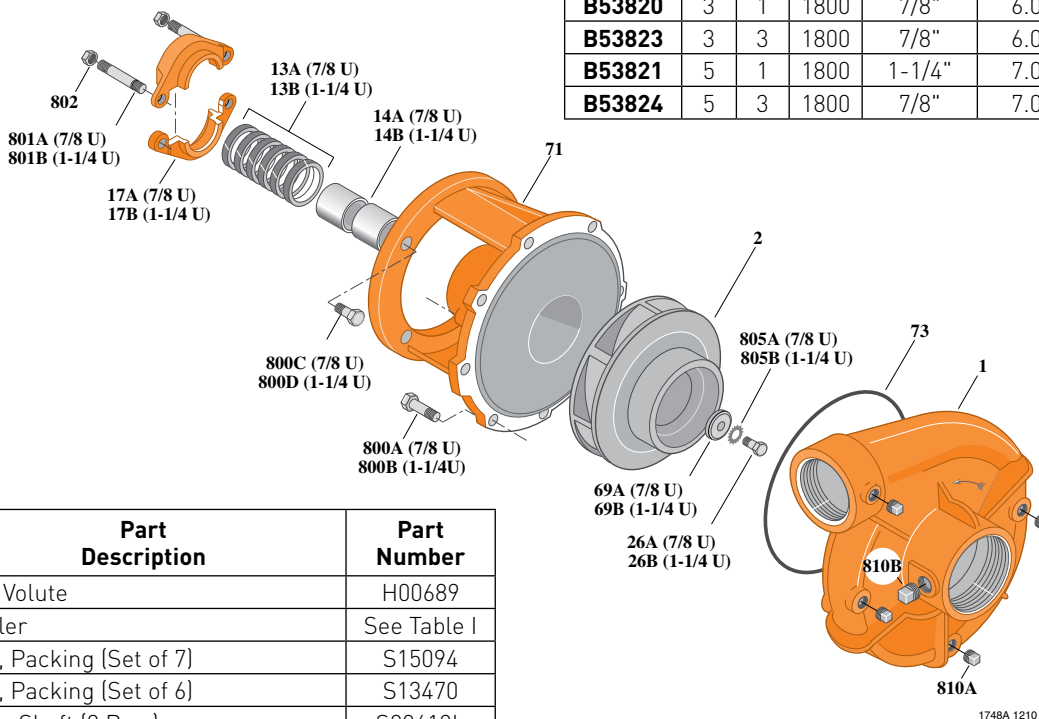
Threaded Case (NPT), Packing Construction

## ELECTRIC MOTOR DRIVE

Section	CC
Page	190.1
Date	March 4, 2013
Supersedes 07/01/11	

**Table I**

B/M No.	HP	PH	RPM	"U" Dim.	Imp. Dia.	Imp. No.
B53820	3	1	1800	7/8"	6.06"	M07709
B53823	3	3	1800	7/8"	6.06"	M07709
B53821	5	1	1800	1-1/4"	7.00"	M07711
B53824	5	3	1800	7/8"	7.00"	M07710



Item No.	Part Description	Part Number
1	Case, Volute	H00689
2	Impeller	See Table I
13A	Rings, Packing [Set of 7]	S15094
13B	Rings, Packing [Set of 6]	S13470
14A	Sleeve, Shaft [2 Req.]	S00619L
14B	Sleeve, Shaft	S05149L
17A	Gland, Packing	B82469
17B	Gland, Packing	B82470
26A	Screw, Impeller 3/8 - 16 x 1"	S23566
26B	Screw, Impeller 1/2 - 13 x 1"	S23619
32A	Key, 3/16 x 1-1/4" [See Note1]	S34383
32B	Key, 1/4 x 2-1/4" [See Note1]	S23677
69A	Washer, Impeller	S06314
69B	Washer, Impeller	S06319
71	Bracket	See Table II
73	O-Ring [See Note 2]	M14943
800A	Capscrew, 3/8 - 16 x 1" [12 Req.]	S26826
800B	Capscrew, 3/8 - 16 x 1-1/8" [8 Req.]	S26827
800C	Capscrew, 1/2 - 13 x 1-1/2" [4 Req.]	S26916
801A	Stud, 3/8 - 16 x 3" [2 Req.]	S04439
801B	Stud, 3/8 - 16 x 4" [2 Req.]	S08303
802	Nut, Hex 3/8 - 16 [2 Req.]	S23343
805A	Washer, Lock	S23036
805B	Washer, Lock	S23038
810A	Plug, Pipe 1/4 NPT [4 Req.]	S23715
810B	Plug, Pipe 1/2 NPT	S23717

**Table II**

HP	PH	Bracket No.	"AK" Fit	"U" Dim.	Motor Frame
3	1	H00950	4-1/2"	7/8"	184JP
3	3	H00950	4-1/2"	7/8"	182JP
5	1	L03827	8-1/2"	1-1/4"	213JP
5	3	H00950	4-1/2"	7/8"	184JP

**NOTE 1:** For an explanation of the tabulated material found on this page and for impeller key location, refer to **Supplement A** located at the beginning of this section.

**NOTE 2:** Also accepts gasket **S05126** as replacement for O-Ring. See **Supplement E** located at the beginning of this section.



# BERKELEY® B3ZPM

## Cast Iron Impeller

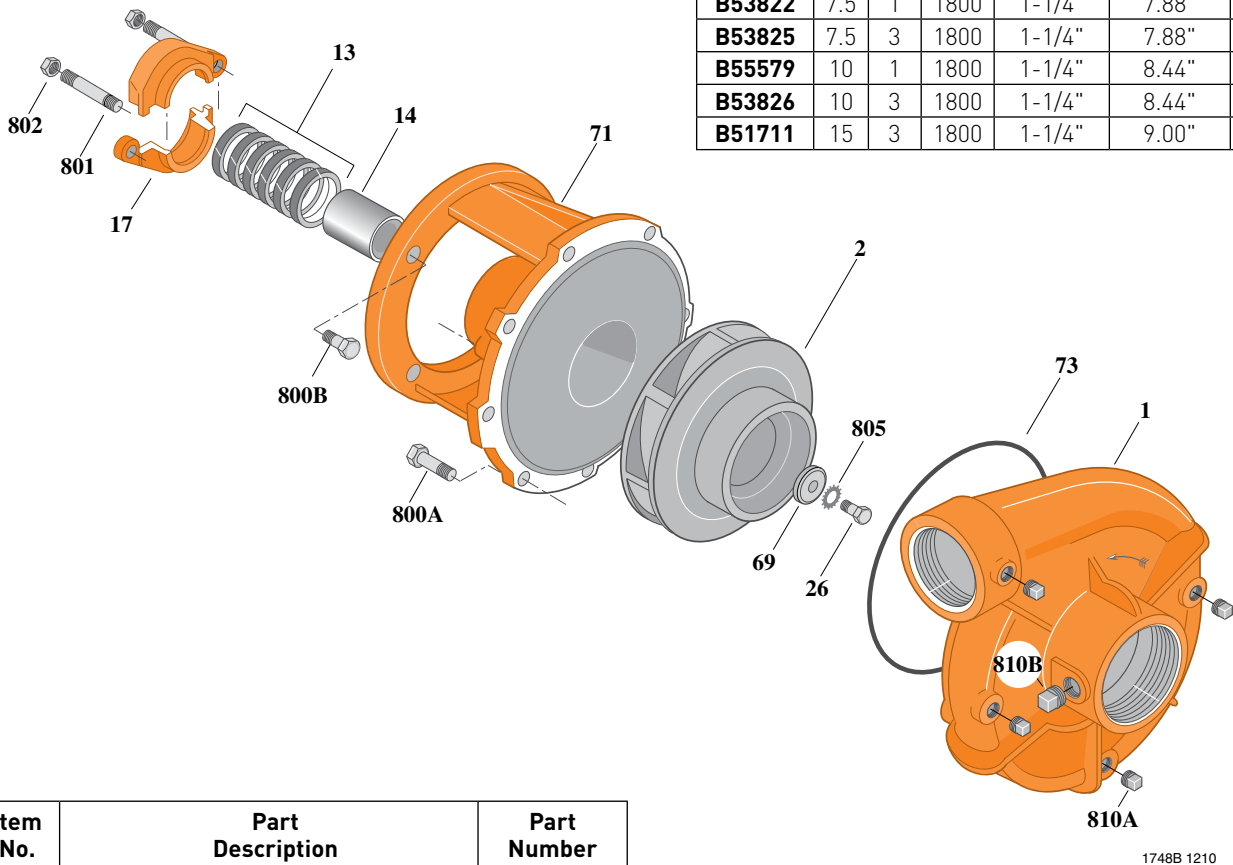
Threaded Case (NPT), Packing Construction

### ELECTRIC MOTOR DRIVE

Section	CC
Page	190.2
Date	March 4, 2013
Supersedes 07/01/11	

**Table I**

B/M No.	HP	PH	RPM	"U" Dim.	Imp. Dia.	Imp. No.
B53822	7.5	1	1800	1-1/4"	7.88"	M07712
B53825	7.5	3	1800	1-1/4"	7.88"	M07712
B55579	10	1	1800	1-1/4"	8.44"	M07713
B53826	10	3	1800	1-1/4"	8.44"	M07713
B51711	15	3	1800	1-1/4"	9.00"	M02911



Item No.	Part Description	Part Number
1	Case, Volute	H00689
2	Impeller	See Table I
13	Rings, Packing (Set of 6)	S13470
14	Sleeve, Shaft	S05149L
17	Gland, Packing	B82470
26	Screw, Impeller 1/2 - 13 x 1"	S23619
32	Key, 1/4 x 2-1/4" (See Note 1)	S23677
69	Washer, Impeller	S06319
71	Bracket	See Table II
73	O-Ring (See Note 2)	M14943
800A	Capscrew, 3/8 - 16 x 1-1/8" [8 Req.]	S26827
800B	Capscrew, 1/2 - 13 x 1-1/2" [4 Req.]	S26916
801	Stud, 3/8 - 16 x 4" [2 Req.]	S08303
802	Nut, Hex 3/8 - 16 [2 Req.]	S23343
805	Washer, Lock	S23038
810A	Plug, Pipe 1/4 NPT [4 Req.]	S23715
810B	Plug, Pipe 1/2 NPT	S23717

**Table II**

HP	PH	Bracket No.	"AK" Fit	"U" Dim.	Motor Frame
7.5	1	L03827	8-1/2"	1-1/4"	215JP
7.5	3	L03827	8-1/2"	1-1/4"	213JP
10	1	L03827	8-1/2"	1-1/4"	215JP
10	3	L03827	8-1/2"	1-1/4"	215JP
15	3	L03827	8-1/2"	1-1/4"	254JP

**NOTE 1:** For an explanation of the tabulated material found on this page and for impeller key location, refer to **Supplement A** located at the beginning of this section.

**NOTE 2:** Also accepts gasket **S05126** as replacement for O-Ring. See **Supplement E** located at the beginning of this section.



# BERKELEY® B3ZPM

## Cast Iron Impeller

Flanged Case, Packing Construction

### ELECTRIC MOTOR DRIVE

Section	CC
Page	190.3
Date	March 4, 2013
Supersedes 07/01/11	

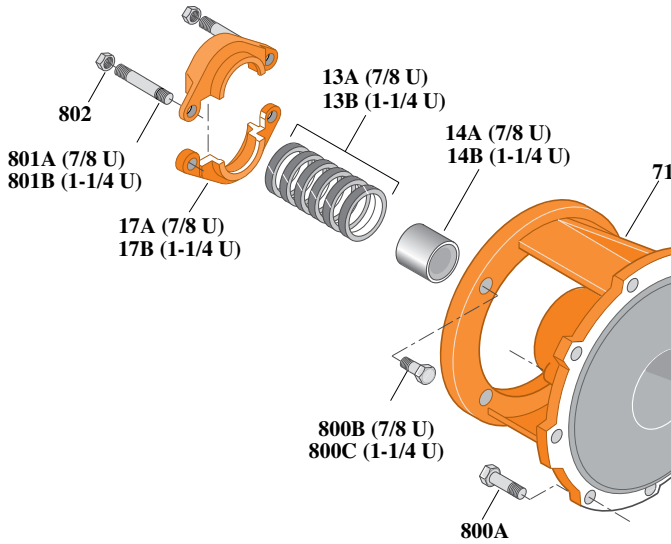
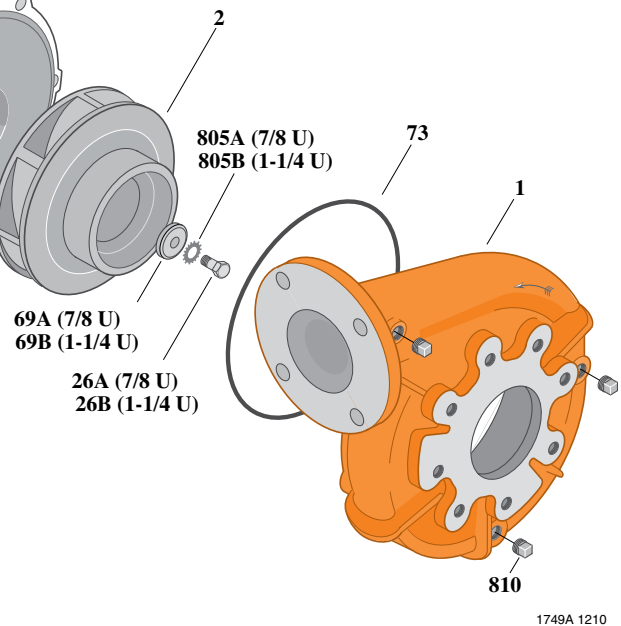


Table I

B/M No.	HP	PH	RPM	"U" Dim.	Imp. Dia.	Imp. No.
B70158	3	1	1800	7/8"	6.06"	M07709
B70236	3	3	1800	7/8"	6.06"	M07709
B70159	5	1	1800	1-1/4"	7.00"	M07711
B70237	5	3	1800	7/8"	7.00"	M07710

Item No.	Part Description	Part Number
1	Case, Volute	H05130
2	Impeller	See Table I
13A	Rings, Packing [Set of 7]	S15094
13B	Rings, Packing [Set of 6]	S13470
14A	Sleeve, Shaft [2 Req.]	S00619L
14B	Sleeve, Shaft	S05149L
17A	Gland, Packing	B82469
17B	Gland, Packing	B82470
26A	Screw, Impeller 3/8 - 16 x 1"	S23566
26B	Screw, Impeller 1/2 - 13 x 1"	S23619
32A	Key, 3/16 x 1-1/4" [See Note 1]	S34383
32B	Key, 1/4 x 2-1/4" [See Note 1]	S23677
69A	Washer, Impeller	S06314
69B	Washer, Impeller	S06319
71	Bracket	See Table II
73	O-Ring [See Note 2]	M14943
800A	Capscrew, 3/8 - 16 x 1" [12 Req.]	S26826
800B	Capscrew, 3/8 - 16 x 1" [8 Req.]	S26827
800C	Capscrew, 1/2 - 13 x 1-1/2" [4 Req.]	S26916
801A	Stud, 3/8 - 16 x 3" [2 Req.]	S04439
801B	Stud, 3/8 - 16 x 4" [2 Req.]	S08303
802	Nut, Hex 3/8 - 16 [2 Req.]	S23343
805A	Washer, Lock	S23036
805B	Washer, Lock	S23038
810	Plug, Pipe 1/4 NPT [3 Req.]	S23715



1749A 1210

Table II

HP	PH	Bracket No.	"AK" Fit	"U" Dim.	Motor Frame
3	1	H00950	4-1/2"	7/8"	184JP
3	3	H00950	4-1/2"	7/8"	182JP
5	1	L03827	8-1/2"	1-1/4"	213JP
5	3	H00950	4-1/2"	7/8"	184JP

**NOTE 1:** For an explanation of the tabulated material found on this page and for impeller key location, refer to **Supplement A** located at the beginning of this section.

**NOTE 2:** Also accepts gasket **S05126** as replacement for O-Ring. See **Supplement E** located at the beginning of this section.



# BERKELEY® B3ZPM

## Cast Iron Impeller

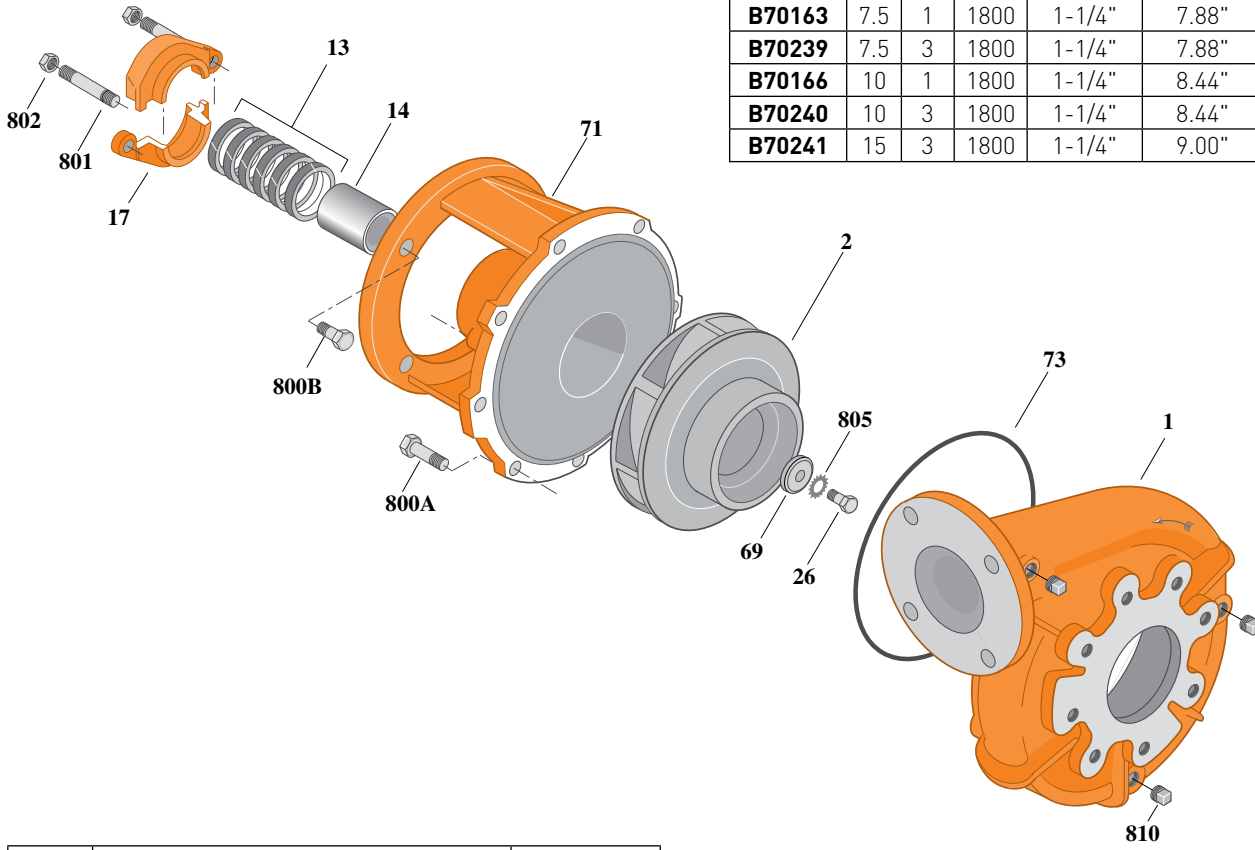
Flanged Case, Packing Construction

## ELECTRIC MOTOR DRIVE

Section	CC
Page	190.4
Date	March 4, 2013
Supersedes 07/01/11	

**Table I**

B/M No.	HP	PH	RPM	"U" Dim.	Imp. Dia.	Imp. No.
<b>B70163</b>	7.5	1	1800	1-1/4"	7.88"	M07712
<b>B70239</b>	7.5	3	1800	1-1/4"	7.88"	M07712
<b>B70166</b>	10	1	1800	1-1/4"	8.44"	M07713
<b>B70240</b>	10	3	1800	1-1/4"	8.44"	M07713
<b>B70241</b>	15	3	1800	1-1/4"	9.00"	M02911



1749B 1210

Item No.	Part Description	Part Number
1	Case, Volute	H05130
2	Impeller	See Table I
13	Rings, Packing (Set of 6)	S13470
14	Sleeve, Shaft	S05149L
17	Gland, Packing	B82470
26	Screw, Impeller 1/2 - 13 x 1"	S23619
32	Key, 1/4 x 2-1/4" (See Note 1)	S23677
69	Washer, Impeller	S06319
71	Bracket	See Table II
73	O-Ring (See Note 2)	M14943
800A	Capscrew, 3/8 - 16 x 1" (8 Req.)	S26826
800B	Capscrew, 1/2 - 13 x 1-1/2" (4 Req.)	S26916
801	Stud, 3/8 - 16 x 4" (2 Req.)	S08303
802	Nut, Hex 3/8 - 16 (2 Req.)	S23343
805	Washer, Lock	S23038
810	Plug, Pipe 1/4 NPT (3 Req.)	S23715

**Table II**

HP	PH	Bracket No.	"AK" Fit	"U" Dim.	Motor Frame
7.5	1	L03827	8-1/2"	1-1/4"	215JP
7.5	3	L03827	8-1/2"	1-1/4"	213JP
10	1	L03827	8-1/2"	1-1/4"	215JP
10	3	L03827	8-1/2"	1-1/4"	215JP
15	3	L03827	8-1/2"	1-1/4"	254JP

**NOTE 1:** For an explanation of the tabulated material found on this page and for impeller key location, refer to **Supplement A** located at the beginning of this section.

**NOTE 2:** Also accepts gasket **S05126** as replacement for O-Ring. See **Supplement E** located at the beginning of this section.



# BERKELEY® B3ZPMS

## Cast Iron Impeller

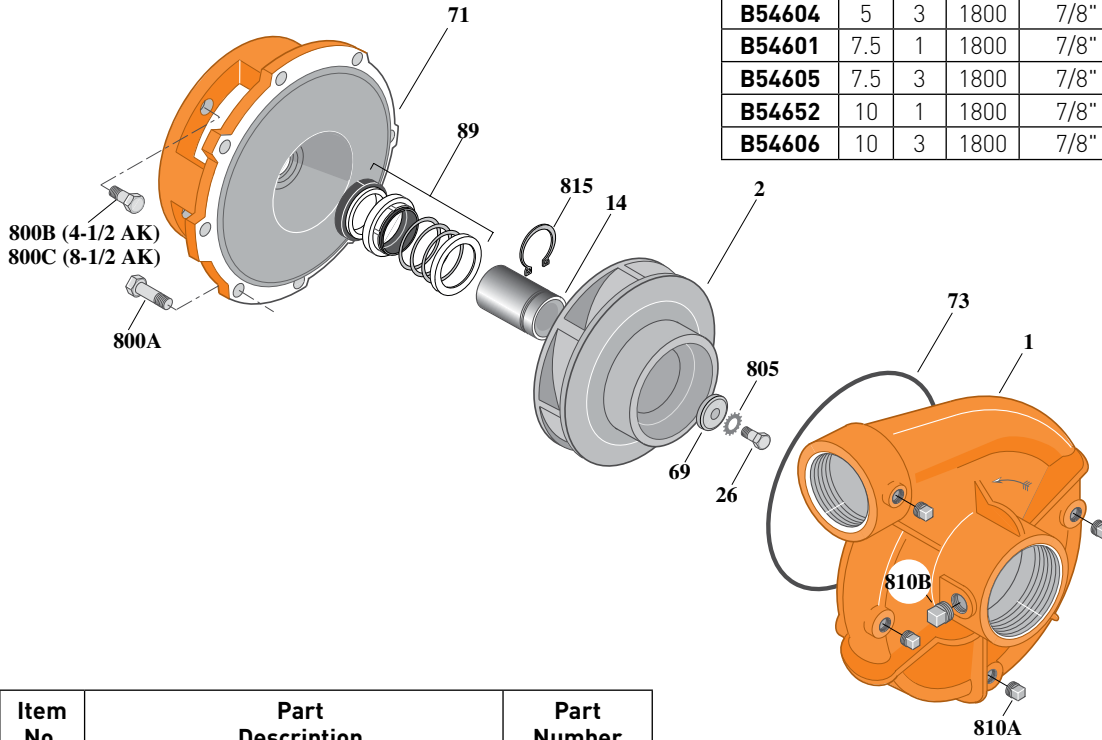
Threaded Case (NPT), Mechanical Shaft Seal Construction

## ELECTRIC MOTOR DRIVE

Section	CC
Page	190.5
Date	March 4, 2013
Supersedes 07/01/11	

**Table I**

B/M No.	HP	PH	RPM	"U" Dim.	Imp. Dia.	Imp. No.
B54599	3	1	1800	7/8"	6.06"	M07709
B54603	3	3	1800	7/8"	6.06"	M07709
B54600	5	1	1800	7/8"	7.00"	M07710
B54604	5	3	1800	7/8"	7.00"	M07710
B54601	7.5	1	1800	7/8"	7.88"	M07764
B54605	7.5	3	1800	7/8"	7.88"	M07764
B54652	10	1	1800	7/8"	8.44"	M07765
B54606	10	3	1800	7/8"	8.44"	M07765



Item No.	Part Description	Part Number
1	Case, Volute	H00689
2	Impeller	See Table I
14	Sleeve, Shaft	S19310L
26	Screw, Impeller 3/8 - 16 x 1"	S23566
32	Key, 3/16 x 1-1/4" [See Note 1]	S34383
69	Washer, Impeller	S06314
71	Bracket	See Table II
73	O-Ring [See Note 2]	M14943
89	Seal, Mechanical Shaft	S32014
800A	Capscrew, 3/8 - 16 x 1" [12 Req.] [4-1/2 AK] [Use for Motor and Volute]	S26826
800A	Capscrew, 3/8 - 16 x 1" [8 Req.] [8-1/2 AK] [Use for Volute Only]	S26826
800B	Capscrew, 1/2 - 13 x 1" [4 Req.]	S26912
805	Washer, Lock	S23036
810A	Plug, Pipe 1/4 NPT [4 Req.]	S23715
810B	Plug, Pipe 1/2 NPT	S23717
815	Ring, Retaining	S11207

**Table II**

HP	PH	Bracket No.	"AK" Fit	"U" Dim.	Motor Frame
3	1	L05332	4-1/2"	7/8"	184JM
3	3	L05332	4-1/2"	7/8"	182JM
5	1	L05331	8-1/2"	7/8"	213JM
5	3	L05332	4-1/2"	7/8"	184JM
7.5	1	L05331	8-1/2"	7/8"	215JM
7.5	3	L05331	8-1/2"	7/8"	213JM
10	1	L05331	8-1/2"	7/8"	215JM
10	3	L05331	8-1/2"	7/8"	215JM

**NOTE 1:** For an explanation of the tabulated material found on this page and for impeller key location, refer to **Supplement A** located at the beginning of this section.

**NOTE 2:** Also accepts gasket **S05126** as replacement for O-Ring. See **Supplement E** located at the beginning of this section.



# BERKELEY® B3ZPMS

## Cast Iron Impeller

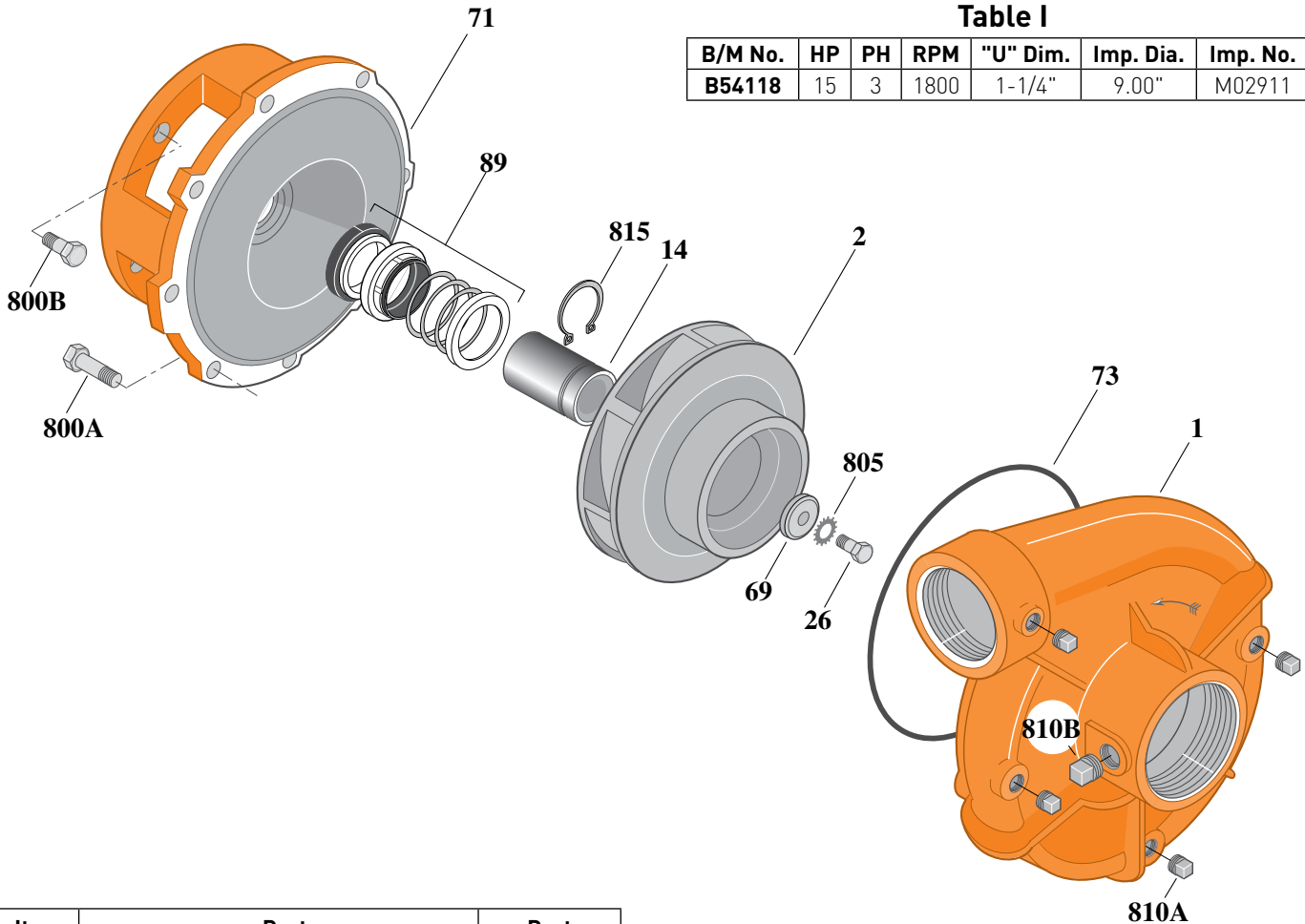
Threaded Case (NPT), Mechanical Shaft Seal Construction

### ELECTRIC MOTOR DRIVE

Section	CC
Page	190.6
Date	March 4, 2013
Supersedes 07/01/11	

**Table I**

B/M No.	HP	PH	RPM	"U" Dim.	Imp. Dia.	Imp. No.
B54118	15	3	1800	1-1/4"	9.00"	M02911



1612 1210

Item No.	Part Description	Part Number
1	Case, Volute	H00689
2	Impeller	See Table I
14	Sleeve, Shaft	S18869L
26	Screw, Impeller 1/2 - 13 x 1"	S23619
32	Key, 1/4 x 2-1/4" [See Note 1]	S23677
69	Washer, Impeller	S06319
71	Bracket	See Table II
73	O-Ring [See Note 2]	M14943
89	Seal, Mechanical Shaft	S32015
800A	Capscrew, 3/8 - 16 x 1" [8 Req.]	S26826
800B	Capscrew, 1/2 - 13 x 1" [4 Req.]	S26912
805	Washer, Lock	S23038
810A	Plug, Pipe 1/4 NPT [4 Req.]	S23715
810B	Plug, Pipe 1/2 NPT	S23717
815	Ring, Retaining	S16767

**Table II**

HP	PH	Bracket No.	"AK" Fit	"U" Dim.	Motor Frame
15	3	L04615	8-1/2"	1-1/4"	254JM

**NOTE 1:** For an explanation of the tabulated material found on this page and for impeller key location, refer to **Supplement A** located at the beginning of this section.

**NOTE 2:** Also accepts gasket **S05126** as replacement for O-Ring. See **Supplement E** located at the beginning of this section.



# BERKELEY® B3ZPMS

## Cast Iron Impeller

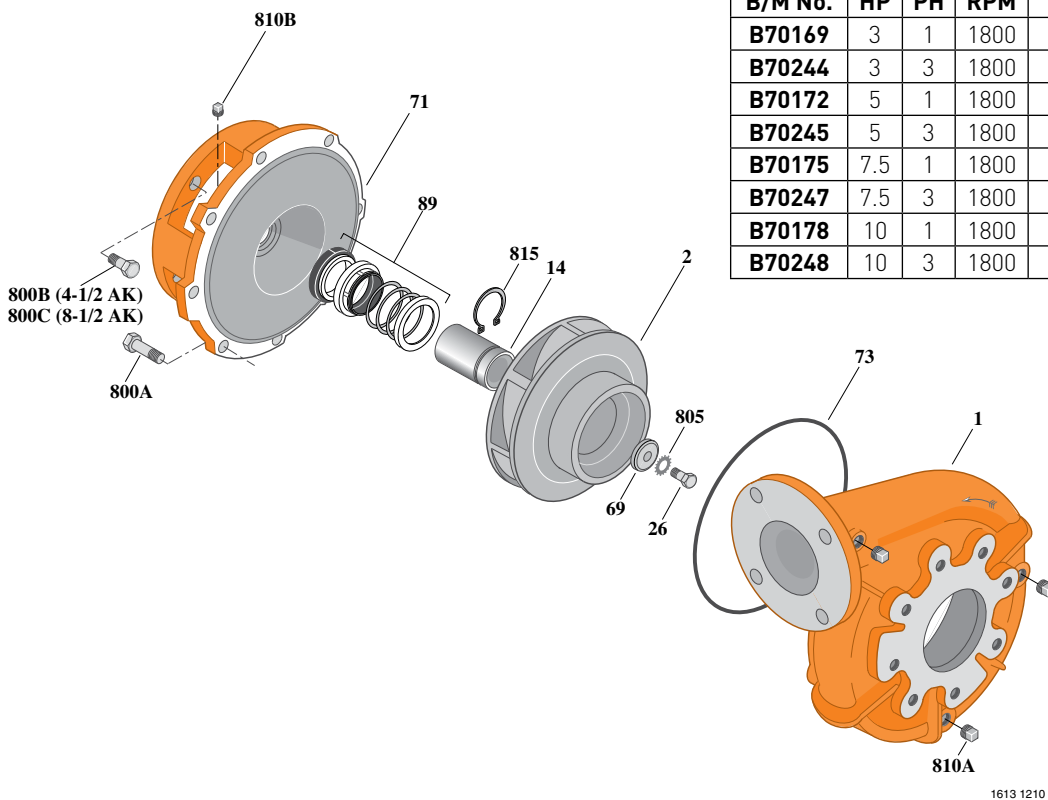
Flanged Case, Mechanical Shaft Seal Construction

### ELECTRIC MOTOR DRIVE

Section	CC
Page	190.7
Date	March 4, 2013
Supersedes 07/01/11	

**Table I**

B/M No.	HP	PH	RPM	"U" Dim.	Imp. Dia.	Imp. No.
B70169	3	1	1800	7/8"	6.06"	M07709
B70244	3	3	1800	7/8"	6.06"	M07709
B70172	5	1	1800	7/8"	7.00"	M07710
B70245	5	3	1800	7/8"	7.00"	M07710
B70175	7.5	1	1800	7/8"	7.88"	M07764
B70247	7.5	3	1800	7/8"	7.88"	M07764
B70178	10	1	1800	7/8"	8.44"	M07765
B70248	10	3	1800	7/8"	8.44"	M07765



Item No.	Part Description	Part Number
1	Case, Volute	H05130
2	Impeller	See Table I
14	Sleeve, Shaft	S19310L
26	Screw, Impeller 3/8 - 16 x 1"	S23566
32	Key, 3/16 x 1-1/4" [See Note 1]	S34383
69	Washer, Impeller	S06314
71	Bracket	See Table II
73	O-Ring [See Note 2]	M14943
89	Seal, Mechanical Shaft	S32014
800A	Capscrew, 3/8 - 16 x 1" [12 Req.] [4-1/2 AK] [Use for Motor and Volute]	S26826
800A	Capscrew, 3/8 - 16 x 1" [8 Req.] [8-1/2 AK] [Use for Volute Only]	S26826
800B	Capscrew, 1/2 - 13 x 1" [4 Req.]	S26912
805	Washer, Lock	S23036
810	Plug, Pipe 1/4 NPT [3 Req.]	S23715
815	Ring, Retaining	S11207

**Table II**

HP	PH	Bracket No.	"AK" Fit	"U" Dim.	Motor Frame
3	1	L05332	4-1/2"	7/8"	184JM
3	3	L05332	4-1/2"	7/8"	182JM
5	1	L05331	8-1/2"	7/8"	213JM
5	3	L05332	4-1/2"	7/8"	184JM
7.5	1	L05331	8-1/2"	7/8"	215JM
7.5	3	L05331	8-1/2"	7/8"	213JM
10	1	L05331	8-1/2"	7/8"	215JM
10	3	L05331	8-1/2"	7/8"	215JM

**NOTE 1:** For an explanation of the tabulated material found on this page and for impeller key location, refer to **Supplement A** located at the beginning of this section.

**NOTE 2:** Also accepts gasket **S05126** as replacement for O-Ring. See **Supplement E** located at the beginning of this section.



# BERKELEY® B3ZPMS

## Cast Iron Impeller

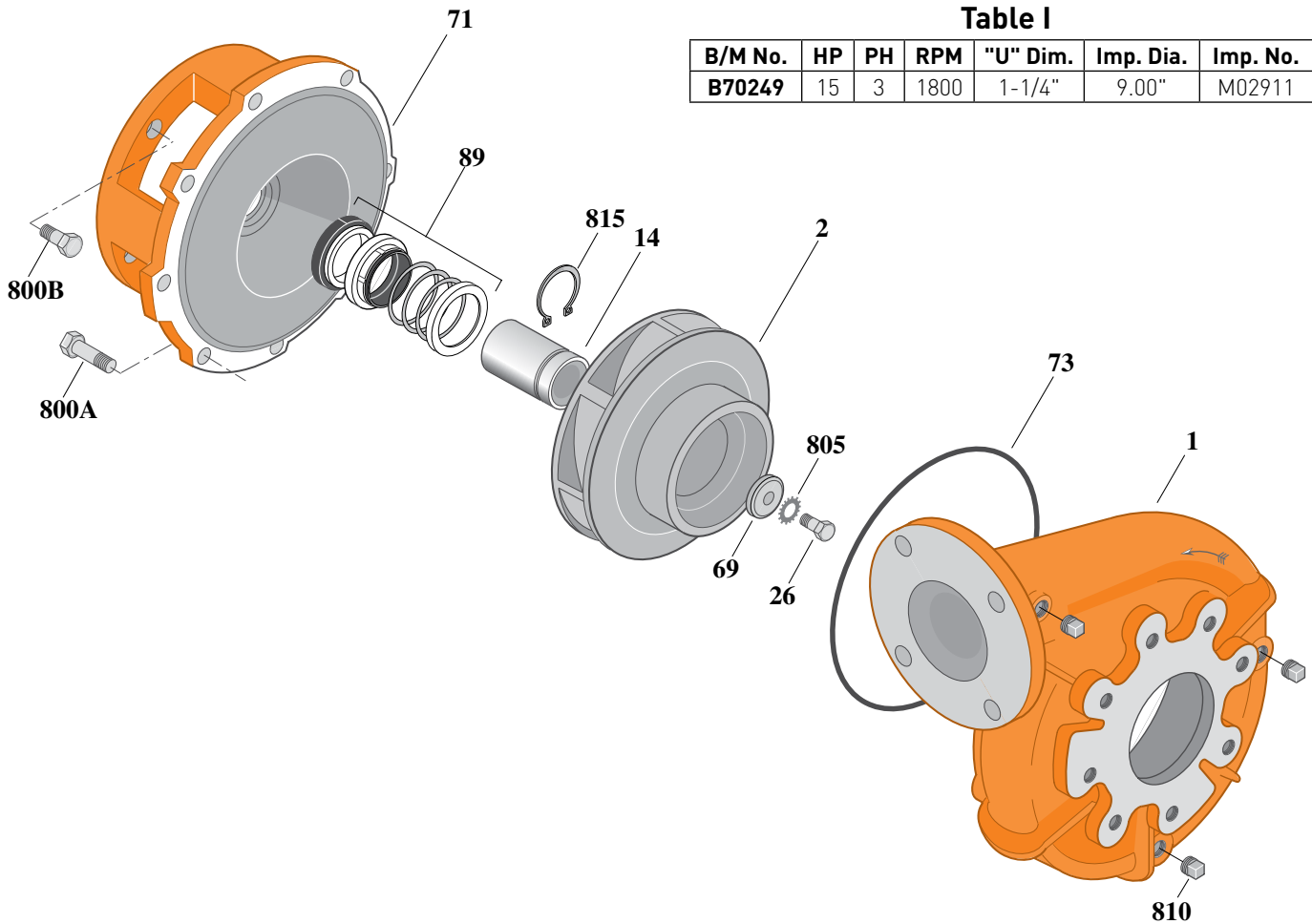
Flanged Case, Mechanical Shaft Seal Construction

### ELECTRIC MOTOR DRIVE

Section	CC
Page	190.8
Date	March 4, 2013
Supersedes 07/01/11	

**Table I**

B/M No.	HP	PH	RPM	"U" Dim.	Imp. Dia.	Imp. No.
<b>B70249</b>	15	3	1800	1-1/4"	9.00"	M02911



1614 0195

Item No.	Part Description	Part Number
1	Case, Volute	H05130
2	Impeller	See Table I
14	Sleeve, Shaft	S18869L
26	Screw, Impeller 1/2 - 13 x 1"	S23619
32	Key, 1/4 x 2-1/4" [See Note 1]	S23677
69	Washer, Impeller	S06319
71	Bracket	See Table II
73	O-Ring [See Note 2]	M14943
89	Seal, Mechanical Shaft	S32015
800A	Capscrew, 3/8 - 16 x 1" [8 Req.]	S26826
800B	Capscrew, 1/2 - 13 x 1" [4 Req.]	S26912
805	Washer, Lock	S23038
810	Plug, Pipe 1/4 NPT [3 Req.]	S23715
815	Ring, Retaining	S16767

**Table II**

HP	PH	Bracket No.	"AK" Fit	"U" Dim.	Motor Frame
15	3	L04615	8-1/2"	1-1/4"	254JM

**NOTE 1:** For an explanation of the tabulated material found on this page and for impeller key location, refer to **Supplement A** located at the beginning of this section.

**NOTE 2:** Also accepts gasket **S05126** as replacement for O-Ring. See **Supplement E** located at the beginning of this section.





# BERKELEY® B3ZPM

## Bronze Impeller

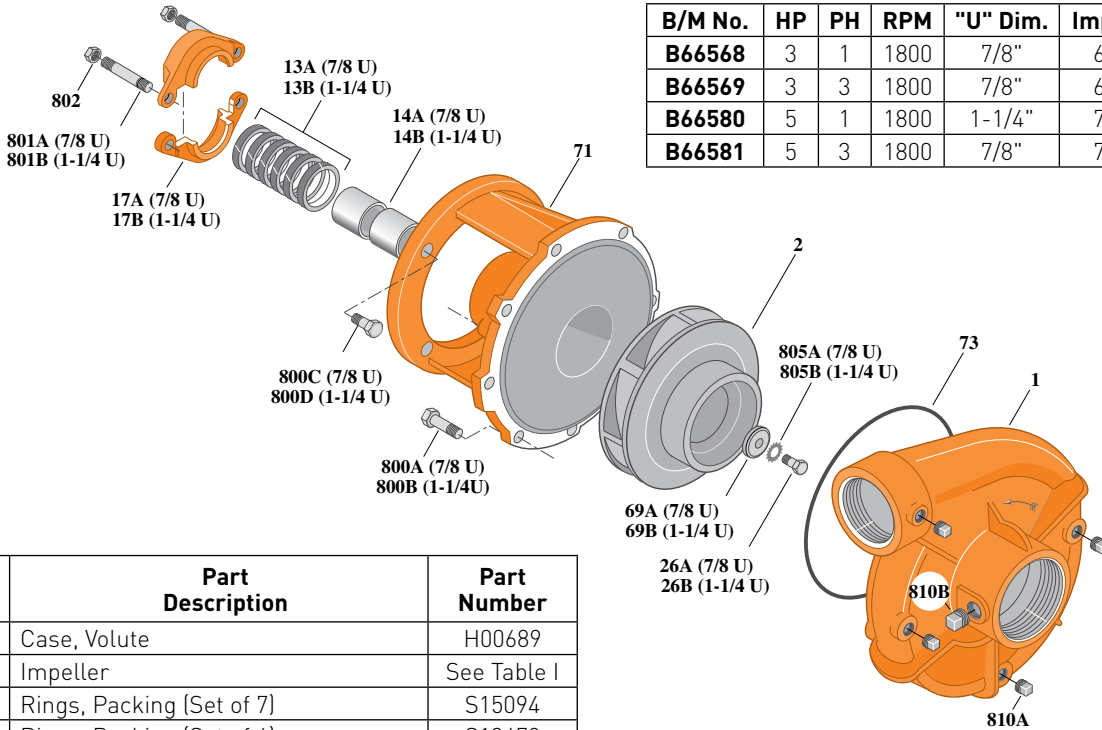
Threaded Case (NPT), Packing Construction

## ELECTRIC MOTOR DRIVE

Section	CC
Page	190.9
Date	March 4, 2013
Supersedes 07/01/11	

**Table I**

B/M No.	HP	PH	RPM	"U" Dim.	Imp. Dia.	Imp. No.
<b>B66568</b>	3	1	1800	7/8"	6.06"	L06697
<b>B66569</b>	3	3	1800	7/8"	6.06"	L06697
<b>B66580</b>	5	1	1800	1-1/4"	7.00"	L06692
<b>B66581</b>	5	3	1800	7/8"	7.00"	L06696



Item No.	Part Description	Part Number
1	Case, Volute	H00689
2	Impeller	See Table I
13A	Rings, Packing [Set of 7]	S15094
13B	Rings, Packing [Set of 6]	S13470
14A	Sleeve, Shaft [2 Req.]	S00619L
14B	Sleeve, Shaft	S05149L
17A	Gland, Packing	B82469
17B	Gland, Packing	B82470
26A	Screw, Impeller 3/8 - 16 x 1"	S23566
26B	Screw, Impeller 1/2 - 13 x 1"	S23619
32A	Key, 3/16 x 1-1/4" [See Note 1]	S34383
32B	Key, 1/4 x 2-1/4" [See Note 1]	S23677
69A	Washer, Impeller	S06314
69B	Washer, Impeller	S06319
71	Bracket	See Table II
73	O-Ring [See Note 2]	M14943
800A	Capscrew, 3/8 - 16 x 1" [12 Req.]	S26826
800B	Capscrew, 3/8 - 16 x 1-1/8" [8 Req.]	S26827
800C	Capscrew, 1/2 - 13 x 1-1/2" [4 Req.]	S26916
801A	Stud, 3/8 - 16 x 3" [2 Req.]	S04439
801B	Stud, 3/8 - 16 x 4" [2 Req.]	S08303
802	Nut, Hex 3/8 - 16 [2 Req.]	S23343
805A	Washer, Lock	S23036
805B	Washer, Lock	S23038
810A	Plug, Pipe 1/4 NPT [4 Req.]	S23715
810B	Plug, Pipe 1/2 NPT	S23717

**Table II**

HP	PH	Bracket No.	"AK" Fit	"U" Dim.	Motor Frame
3	1	H00950	4-1/2"	7/8"	184JP
3	3	H00950	4-1/2"	7/8"	182JP
5	1	L03827	8-1/2"	1-1/4"	213JP
5	3	H00950	4-1/2"	7/8"	184JP

**NOTE 1:** For an explanation of the tabulated material found on this page and for impeller key location, refer to **Supplement A** located at the beginning of this section.

**NOTE 2:** Also accepts gasket **S05126** as replacement for O-Ring. See **Supplement E** located at the beginning of this section.



# BERKELEY® B3ZPM

## Bronze Impeller

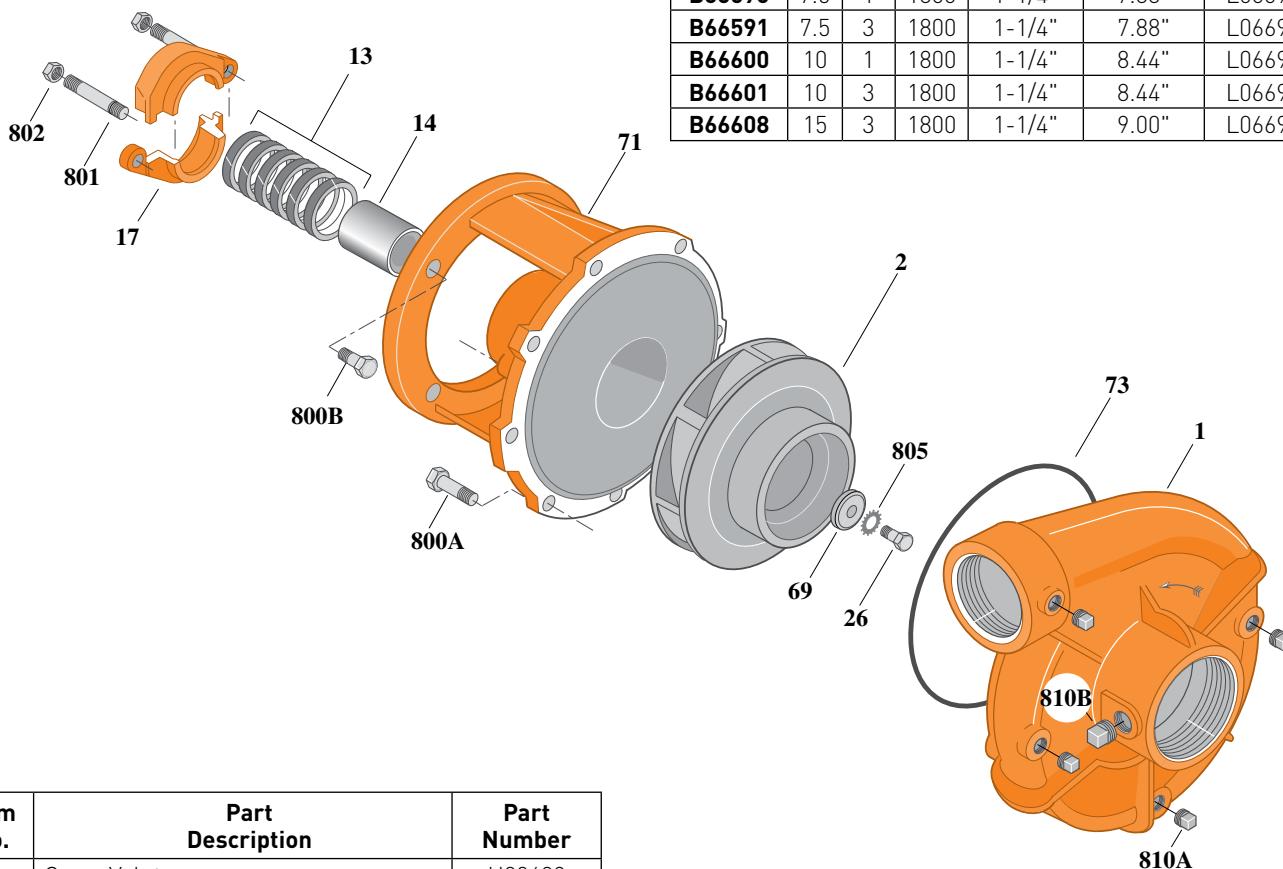
Threaded Case (NPT), Packing Construction

## ELECTRIC MOTOR DRIVE

Section	CC
Page	190.10
Date	March 4, 2013
Supersedes 07/01/11	

**Table I**

B/M No.	HP	PH	RPM	"U" Dim.	Imp. Dia.	Imp. No.
B66590	7.5	1	1800	1-1/4"	7.88"	L06694
B66591	7.5	3	1800	1-1/4"	7.88"	L06694
B66600	10	1	1800	1-1/4"	8.44"	L06693
B66601	10	3	1800	1-1/4"	8.44"	L06693
B66608	15	3	1800	1-1/4"	9.00"	L06691



Item No.	Part Description	Part Number
1	Case, Volute	H00689
2	Impeller	See Table I
13	Rings, Packing (Set of 6)	S13470
14	Sleeve, Shaft	S05149L
17	Gland, Packing	B82470
26	Screw, Impeller 1/2 - 13 x 1"	S23619
32	Key, 1/4 x 2-1/4" (See Note 1)	S23677
69	Washer, Impeller	S06319
71	Bracket	See Table II
73	O-Ring (See Note 2)	M14943
800A	Capscrew, 3/8 - 16 x 1-1/8" [8 Req.]	S26827
800B	Capscrew, 1/2 - 13 x 1-1/2" [4 Req.]	S26916
801	Stud, 3/8 - 16 x 4" [2 Req.]	S08303
802	Nut, Hex 3/8 - 16 [2 Req.]	S23343
805	Washer, Lock	S23038
810A	Plug, Pipe 1/4 NPT [4 Req.]	S23715
810B	Plug, Pipe 1/2 NPT	S23717

**Table II**

HP	PH	Bracket No.	"AK" Fit	"U" Dim.	Motor Frame
7.5	1	L03827	8-1/2"	1-1/4"	215JP
7.5	3	L03827	8-1/2"	1-1/4"	213JP
10	1	L03827	8-1/2"	1-1/4"	215JP
10	3	L03827	8-1/2"	1-1/4"	215JP
15	3	L03827	8-1/2"	1-1/4"	254JP

**NOTE 1:** For an explanation of the tabulated material found on this page and for impeller key location, refer to **Supplement A** located at the beginning of this section.

**NOTE 2:** Also accepts gasket **S05126** as replacement for O-Ring. See **Supplement E** located at the beginning of this section.



# BERKELEY® B3ZPM

## Silicon Bronze Impeller

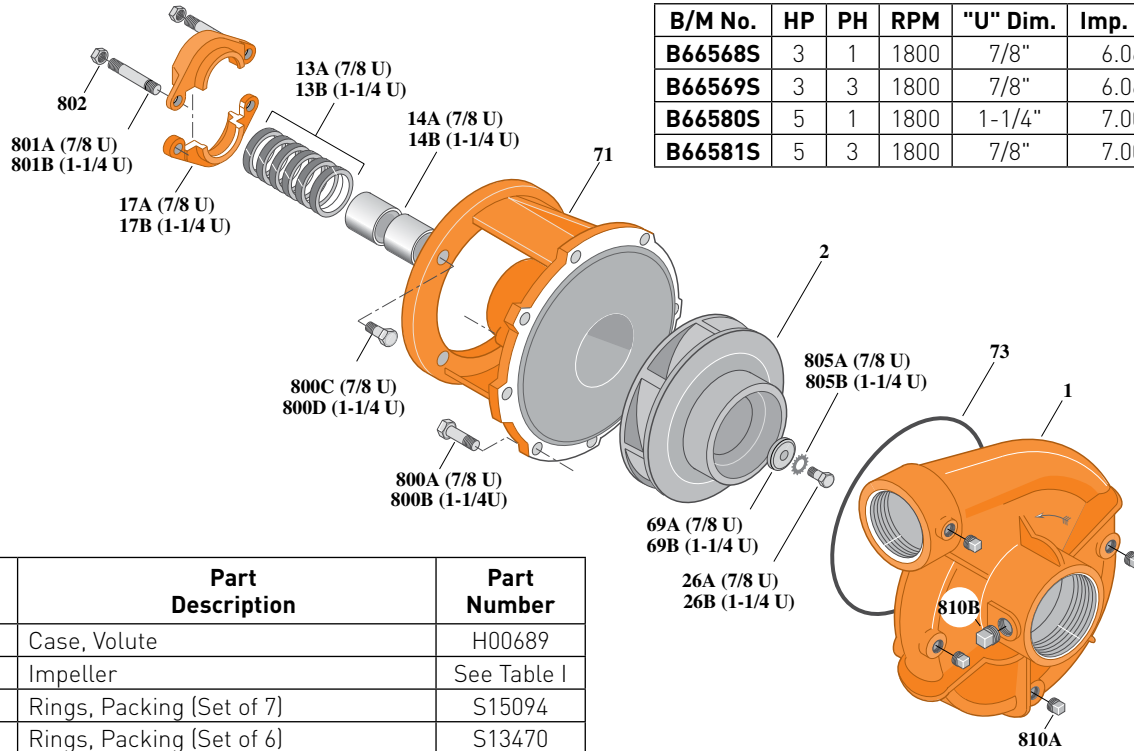
Threaded Case (NPT), Packing Construction

## ELECTRIC MOTOR DRIVE

Section	CC
Page	190.10.1
Date	March 4, 2013
Supersedes 07/01/11	

**Table I**

B/M No.	HP	PH	RPM	"U" Dim.	Imp. Dia.	Imp. No.
B66568S	3	1	1800	7/8"	6.06"	H05480
B66569S	3	3	1800	7/8"	6.06"	H05480
B66580S	5	1	1800	1-1/4"	7.00"	H05478
B66581S	5	3	1800	7/8"	7.00"	H05481



Item No.	Part Description	Part Number
1	Case, Volute	H00689
2	Impeller	See Table I
13A	Rings, Packing [Set of 7]	S15094
13B	Rings, Packing [Set of 6]	S13470
14A	Sleeve, Shaft [2 Req.]	S00619L
14B	Sleeve, Shaft	S05149L
17A	Gland, Packing	B82469
17B	Gland, Packing	B82470
26A	Screw, Impeller 3/8 - 16 x 1"	S23566
26B	Screw, Impeller 1/2 - 13 x 1"	S23619
32A	Key, 3/16 x 1-1/4" [See Note 1]	S34383
32B	Key, 1/4 x 2-1/4" [See Note 1]	S23677
69A	Washer, Impeller	S06314
69B	Washer, Impeller	S06319
71	Bracket	See Table II
73	O-Ring [See Note 2]	M14943
800A	Capscrew, 3/8 - 16 x 1" [12 Req.]	S26826
800B	Capscrew, 3/8 - 16 x 1-1/8" [8 Req.]	S26827
800C	Capscrew, 1/2 - 13 x 1-1/2" [4 Req.]	S26916
801A	Stud, 3/8 - 16 x 3" [2 Req.]	S04439
801B	Stud, 3/8 - 16 x 4" [2 Req.]	S08303
802	Nut, Hex 3/8 - 16 [2 Req.]	S23343
805A	Washer, Lock	S23036
805B	Washer, Lock	S23038
810A	Plug, Pipe 1/4 NPT [4 Req.]	S23715
810B	Plug, Pipe 1/2 NPT	S23717

**Table II**

HP	PH	Bracket No.	"AK" Fit	"U" Dim.	Motor Frame
3	1	H00950	4-1/2"	7/8"	184JP
3	3	H00950	4-1/2"	7/8"	182JP
5	1	L03827	8-1/2"	1-1/4"	213JP
5	3	H00950	4-1/2"	7/8"	184JP

**NOTE 1:** For an explanation of the tabulated material found on this page and for impeller key location, refer to **Supplement A** located at the beginning of this section.

**NOTE 2:** Also accepts gasket **S05126** as replacement for O-Ring. See **Supplement E** located at the beginning of this section.



# BERKELEY® B3ZPM

## Silicon Bronze Impeller

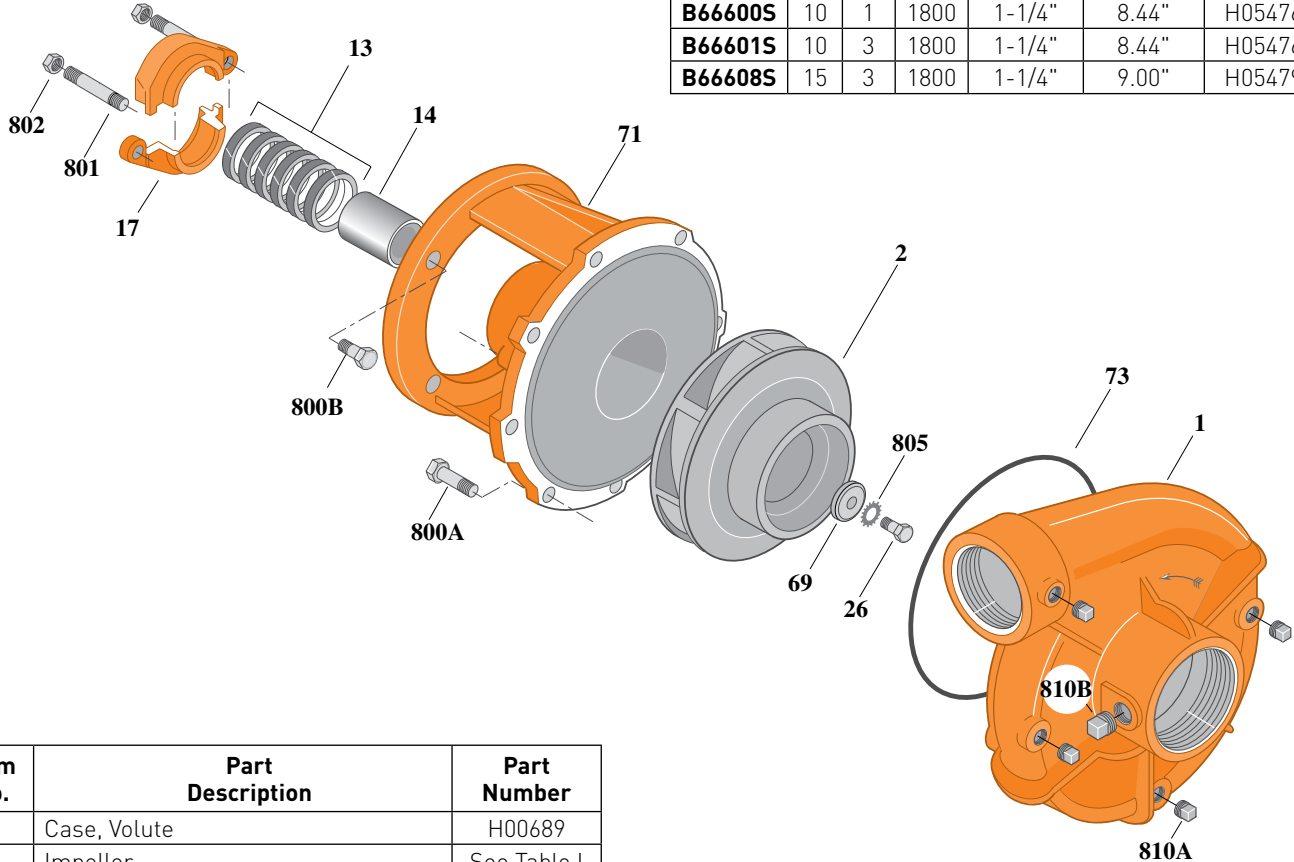
Threaded Case (NPT), Packing Construction

### ELECTRIC MOTOR DRIVE

Section	CC
Page	190.10.2
Date	March 4, 2013
Supersedes 07/01/11	

**Table I**

B/M No.	HP	PH	RPM	"U" Dim.	Imp. Dia.	Imp. No.
B66590S	7.5	1	1800	1-1/4"	7.88"	H05477
B66591S	7.5	3	1800	1-1/4"	7.88"	H05477
B66600S	10	1	1800	1-1/4"	8.44"	H05476
B66601S	10	3	1800	1-1/4"	8.44"	H05476
B66608S	15	3	1800	1-1/4"	9.00"	H05479



Item No.	Part Description	Part Number
1	Case, Volute	H00689
2	Impeller	See Table I
13	Rings, Packing (Set of 6)	S13470
14	Sleeve, Shaft	S05149L
17	Gland, Packing	B82470
26	Screw, Impeller 1/2 - 13 x 1"	S23619
32	Key, 1/4 x 2-1/4" [See Note 1]	S23677
69	Washer, Impeller	S06319
71	Bracket	See Table II
73	O-Ring [See Note 2]	M14943
800A	Capscrew, 3/8 - 16 x 1-1/8" [8 Req.]	S26827
800B	Capscrew, 1/2 - 13 x 1-1/2" [4 Req.]	S26916
801	Stud, 3/8 - 16 x 4" [2 Req.]	S08303
802	Nut, Hex 3/8 - 16 [2 Req.]	S23343
805	Washer, Lock	S23038
810A	Plug, Pipe 1/4 NPT [4 Req.]	S23715
810B	Plug, Pipe 1/2 NPT	S23717

**Table II**

HP	PH	Bracket No.	"AK" Fit	"U" Dim.	Motor Frame
7.5	1	L03827	8-1/2"	1-1/4"	215JP
7.5	3	L03827	8-1/2"	1-1/4"	213JP
10	1	L03827	8-1/2"	1-1/4"	215JP
10	3	L03827	8-1/2"	1-1/4"	215JP
15	3	L03827	8-1/2"	1-1/4"	254JP

**NOTE 1:** For an explanation of the tabulated material found on this page and for impeller key location, refer to **Supplement A** located at the beginning of this section.

**NOTE 2:** Also accepts gasket **S05126** as replacement for O-Ring. See **Supplement E** located at the beginning of this section.



# BERKELEY® B3ZPM

## Bronze Impeller

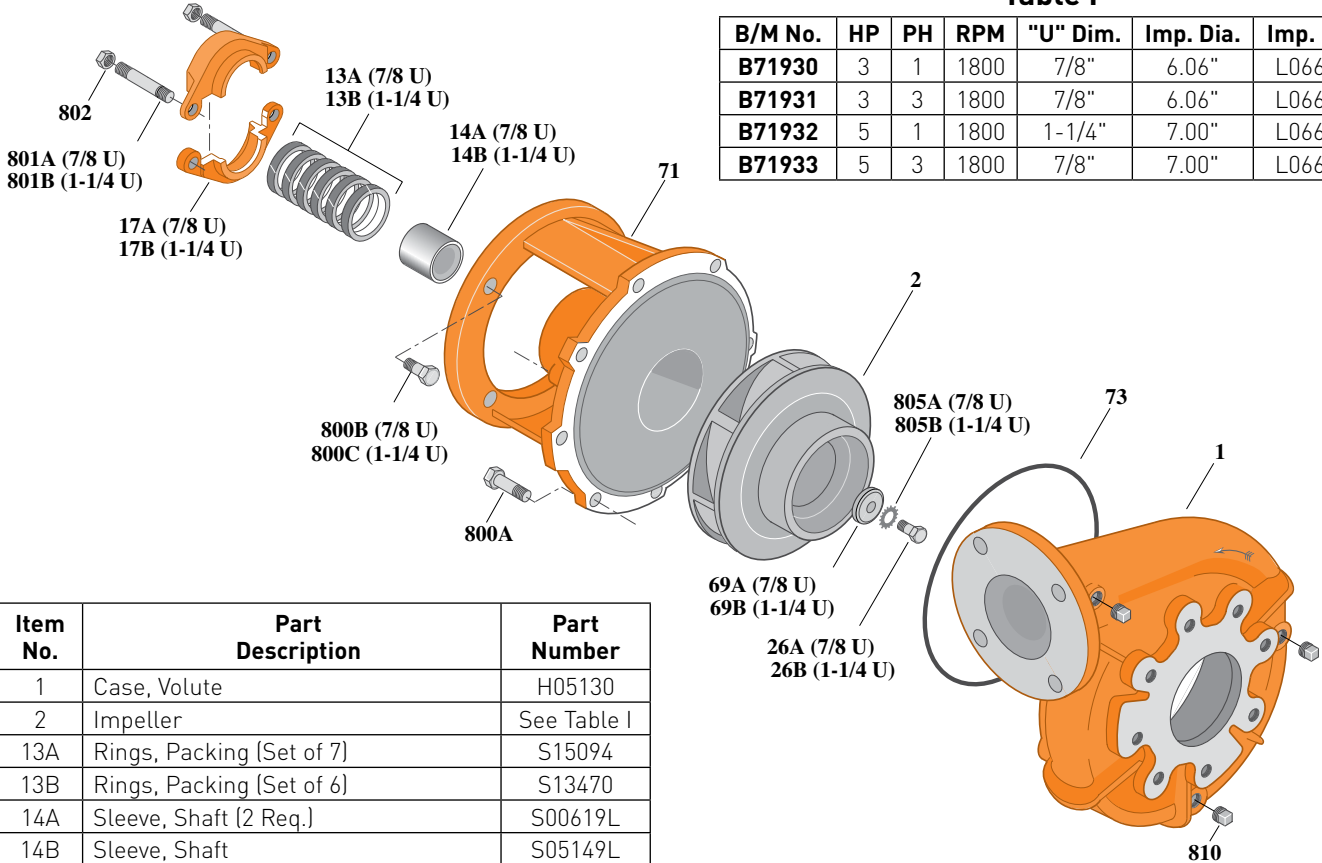
Flanged Case, Packing Construction

## ELECTRIC MOTOR DRIVE

Section	CC
Page	190.11
Date	March 4, 2013
Supersedes 07/01/11	

**Table I**

B/M No.	HP	PH	RPM	"U" Dim.	Imp. Dia.	Imp. No.
B71930	3	1	1800	7/8"	6.06"	L06697
B71931	3	3	1800	7/8"	6.06"	L06697
B71932	5	1	1800	1-1/4"	7.00"	L06692
B71933	5	3	1800	7/8"	7.00"	L06696



Item No.	Part Description	Part Number
1	Case, Volute	H05130
2	Impeller	See Table I
13A	Rings, Packing [Set of 7]	S15094
13B	Rings, Packing [Set of 6]	S13470
14A	Sleeve, Shaft [2 Req.]	S00619L
14B	Sleeve, Shaft	S05149L
17A	Gland, Packing	B82469
17B	Gland, Packing	B82470
26A	Screw, Impeller 3/8 - 16 x 1"	S23566
26B	Screw, Impeller 1/2 - 13 x 1"	S23619
32A	Key, 3/16 x 1-1/4" [See Note 1]	S34383
32B	Key, 1/4 x 2-1/4" [See Note 1]	S23677
69A	Washer, Impeller	S06314
69B	Washer, Impeller	S06319
71	Bracket	See Table II
73	O-Ring [See Note 2]	M14943
800A	Capscrew, 3/8 - 16 x 1" [12 Req.]	S26826
800B	Capscrew, 3/8 - 16 x 1" [8 Req.]	S26827
800C	Capscrew, 1/2 - 13 x 1-1/2" [4 Req.]	S26916
801A	Stud, 3/8 - 16 x 3" [2 Req.]	S04439
801B	Stud, 3/8 - 16 x 4" [2 Req.]	S08303
802	Nut, Hex 3/8 - 16 [2 Req.]	S23343
805A	Washer, Lock	S23036
805B	Washer, Lock	S23038
810	Plug, Pipe 1/4 NPT [3 Req.]	S23715

**Table II**

HP	PH	Bracket No.	"AK" Fit	"U" Dim.	Motor Frame
3	1	H00950	4-1/2"	7/8"	184JP
3	3	H00950	4-1/2"	7/8"	182JP
5	1	L03827	8-1/2"	1-1/4"	213JP
5	3	H00950	4-1/2"	7/8"	184JP

**NOTE 1:** For an explanation of the tabulated material found on this page and for impeller key location, refer to **Supplement A** located at the beginning of this section.

**NOTE 2:** Also accepts gasket **S05126** as replacement for O-Ring. See **Supplement E** located at the beginning of this section.



# BERKELEY® B3ZPM

## Bronze Impeller

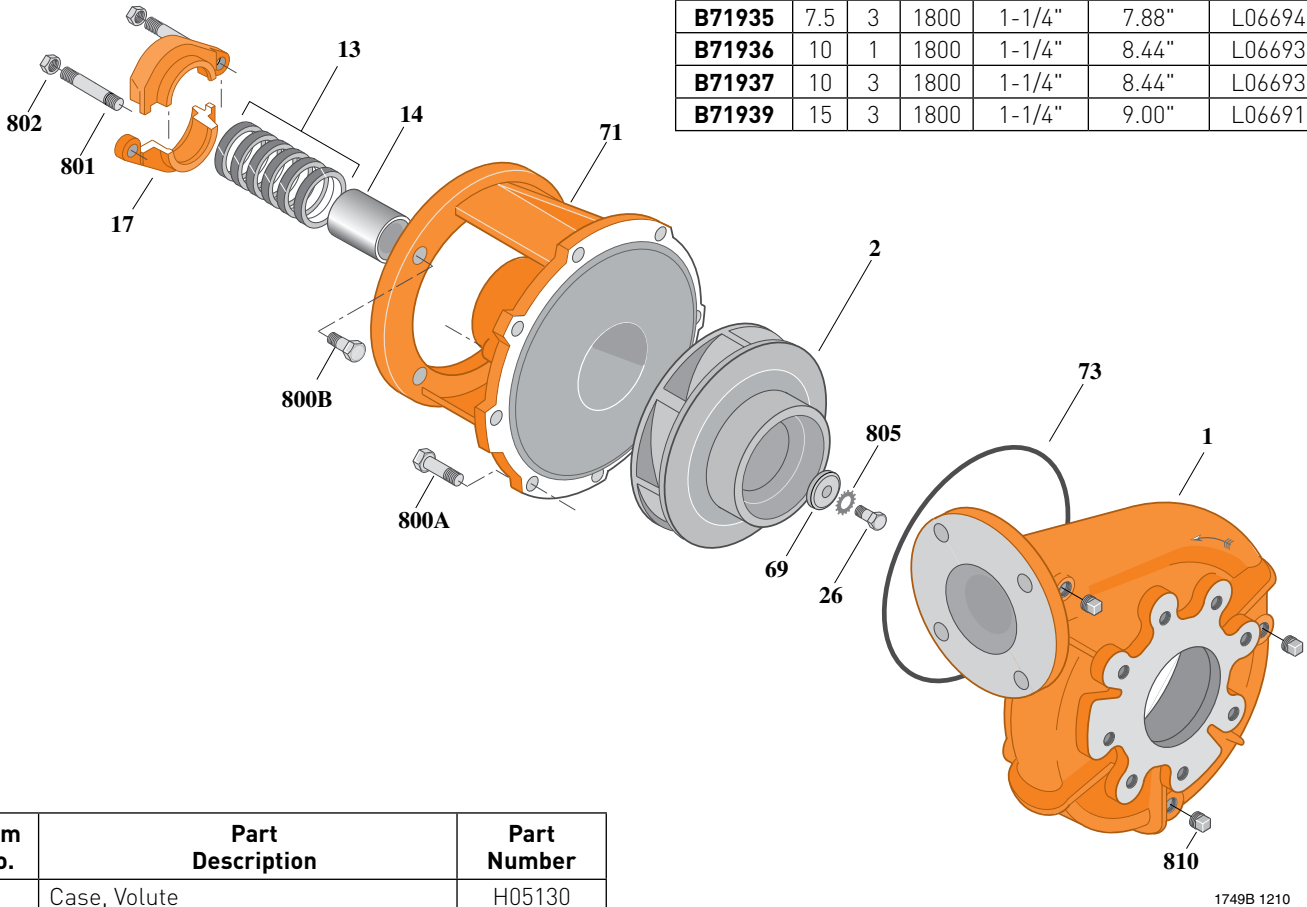
Flanged Case, Packing Construction

### ELECTRIC MOTOR DRIVE

Section	CC
Page	190.12
Date	March 4, 2013
Supersedes 07/01/11	

**Table I**

B/M No.	HP	PH	RPM	"U" Dim.	Imp. Dia.	Imp. No.
B71934	7.5	1	1800	1-1/4"	7.88"	L06694
B71935	7.5	3	1800	1-1/4"	7.88"	L06694
B71936	10	1	1800	1-1/4"	8.44"	L06693
B71937	10	3	1800	1-1/4"	8.44"	L06693
B71939	15	3	1800	1-1/4"	9.00"	L06691



Item No.	Part Description	Part Number
1	Case, Volute	H05130
2	Impeller	See Table I
13	Rings, Packing (Set of 6)	S13470
14	Sleeve, Shaft	S05149L
17	Gland, Packing	B82470
26	Screw, Impeller 1/2 - 13 x 1"	S23619
32	Key, 1/4 x 2-1/4" [See Note 1]	S23677
69	Washer, Impeller	S06319
71	Bracket	See Table II
73	O-Ring [See Note 2]	M14943
800A	Capscrew, 3/8 - 16 x 1" [8 Req.]	S26826
800B	Capscrew, 1/2 - 13 x 1-1/2" [4 Req.]	S26916
801	Stud, 3/8 - 16 x 4" [2 Req.]	S08303
802	Nut, Hex 3/8 - 16 [2 Req.]	S23343
805	Washer, Lock	S23038
810	Plug, Pipe 1/4 NPT [3 Req.]	S23715

**Table II**

HP	PH	Bracket No.	"AK" Fit	"U" Dim.	Motor Frame
7.5	1	L03827	8-1/2"	1-1/4"	215JP
7.5	3	L03827	8-1/2"	1-1/4"	213JP
10	1	L03827	8-1/2"	1-1/4"	215JP
10	3	L03827	8-1/2"	1-1/4"	215JP
15	3	L03827	8-1/2"	1-1/4"	254JP

**NOTE 1:** For an explanation of the tabulated material found on this page and for impeller key location, refer to **Supplement A** located at the beginning of this section.

**NOTE 2:** Also accepts gasket **S05126** as replacement for O-Ring. See **Supplement E** located at the beginning of this section.



# BERKELEY® B3ZPM

## Silicon Bronze Impeller

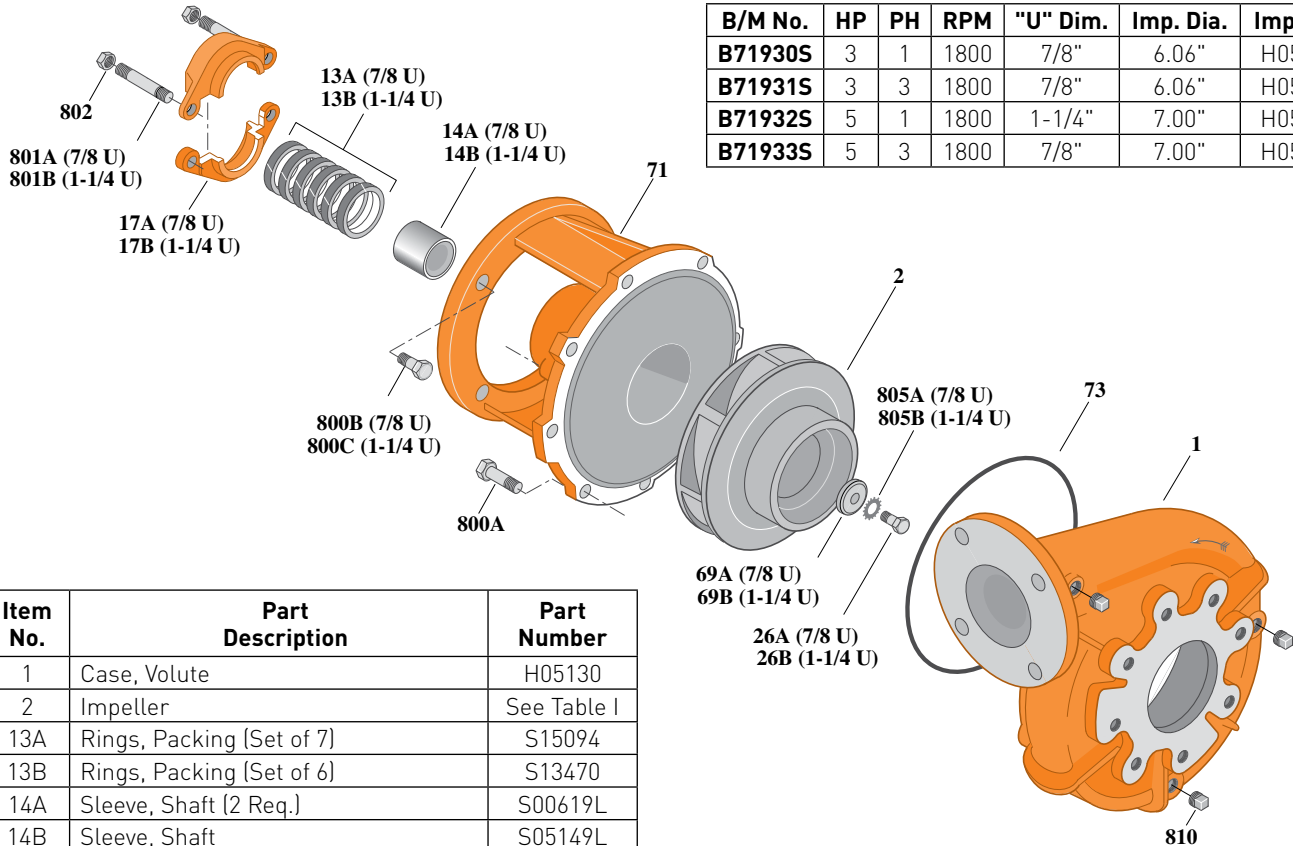
### Flanged Case, Packing Construction

## ELECTRIC MOTOR DRIVE

Section	CC
Page	190.12.1
Date	March 4, 2013
Supersedes 07/01/11	

**Table I**

B/M No.	HP	PH	RPM	"U" Dim.	Imp. Dia.	Imp. No.
<b>B71930S</b>	3	1	1800	7/8"	6.06"	H05480
<b>B71931S</b>	3	3	1800	7/8"	6.06"	H05480
<b>B71932S</b>	5	1	1800	1-1/4"	7.00"	H05478
<b>B71933S</b>	5	3	1800	7/8"	7.00"	H05481



Item No.	Part Description	Part Number
1	Case, Volute	H05130
2	Impeller	See Table I
13A	Rings, Packing [Set of 7]	S15094
13B	Rings, Packing [Set of 6]	S13470
14A	Sleeve, Shaft [2 Req.]	S00619L
14B	Sleeve, Shaft	S05149L
17A	Gland, Packing	B82469
17B	Gland, Packing	B82470
26A	Screw, Impeller 3/8 - 16 x 1"	S23566
26B	Screw, Impeller 1/2 - 13 x 1"	S23619
32A	Key, 3/16 x 1-1/4" [See Note 1]	S34383
32B	Key, 1/4 x 2-1/4" [See Note 1]	S23677
69A	Washer, Impeller	S06314
69B	Washer, Impeller	S06319
71	Bracket	See Table II
73	O-Ring [See Note 2]	M14943
800A	Capscrew, 3/8 - 16 x 1" [12 Req.]	S26826
800B	Capscrew, 3/8 - 16 x 1" [8 Req.]	S26827
800C	Capscrew, 1/2 - 13 x 1-1/2" [4 Req.]	S26916
801A	Stud, 3/8 - 16 x 3" [2 Req.]	S04439
801B	Stud, 3/8 - 16 x 4" [2 Req.]	S08303
802	Nut, Hex 3/8 - 16 [2 Req.]	S23343
805A	Washer, Lock	S23036
805B	Washer, Lock	S23038
810	Plug, Pipe 1/4 NPT [3 Req.]	S23715

**Table II**

HP	PH	Bracket No.	"AK" Fit	"U" Dim.	Motor Frame
3	1	H00950	4-1/2"	7/8"	184JP
3	3	H00950	4-1/2"	7/8"	182JP
5	1	L03827	8-1/2"	1-1/4"	213JP
5	3	H00950	4-1/2"	7/8"	184JP

**NOTE 1:** For an explanation of the tabulated material found on this page and for impeller key location, refer to **Supplement A** located at the beginning of this section.

**NOTE 2:** Also accepts gasket **S05126** as replacement for O-Ring. See **Supplement E** located at the beginning of this section.



# BERKELEY® B3ZPM

## Silicon Bronze Impeller

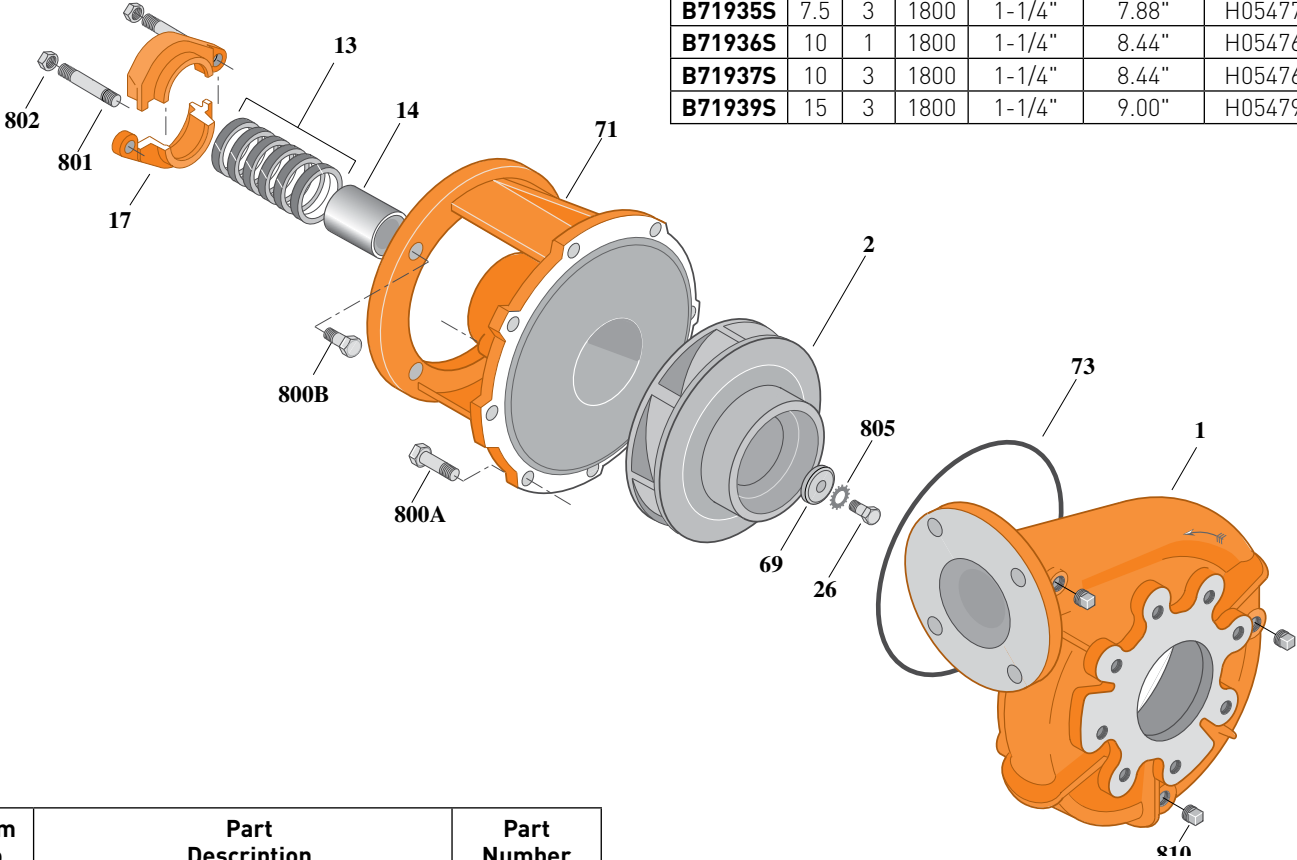
Flanged Case, Packing Construction

### ELECTRIC MOTOR DRIVE

Section	CC
Page	190.12.2
Date	March 4, 2013
Supersedes 07/01/11	

**Table I**

B/M No.	HP	PH	RPM	"U" Dim.	Imp. Dia.	Imp. No.
B71934S	7.5	1	1800	1-1/4"	7.88"	H05477
B71935S	7.5	3	1800	1-1/4"	7.88"	H05477
B71936S	10	1	1800	1-1/4"	8.44"	H05476
B71937S	10	3	1800	1-1/4"	8.44"	H05476
B71939S	15	3	1800	1-1/4"	9.00"	H05479



Item No.	Part Description	Part Number
1	Case, Volute	H05130
2	Impeller	See Table I
13	Rings, Packing (Set of 6)	S13470
14	Sleeve, Shaft	S05149L
17	Gland, Packing	B82470
26	Screw, Impeller 1/2 - 13 x 1"	S23619
32	Key, 1/4 x 2-1/4" [See Note 1]	S23677
69	Washer, Impeller	S06319
71	Bracket	See Table II
73	O-Ring [See Note 2]	M14943
800A	Cap screw, 3/8 - 16 x 1" [8 Req.]	S26826
800B	Cap screw, 1/2 - 13 x 1-1/2" [4 Req.]	S26916
801	Stud, 3/8 - 16 x 4" [2 Req.]	S08303
802	Nut, Hex 3/8 - 16 [2 Req.]	S23343
805	Washer, Lock	S23038
810	Plug, Pipe 1/4 NPT [3 Req.]	S23715

**Table II**

HP	PH	Bracket No.	"AK" Fit	"U" Dim.	Motor Frame
7.5	1	L03827	8-1/2"	1-1/4"	215JP
7.5	3	L03827	8-1/2"	1-1/4"	213JP
10	1	L03827	8-1/2"	1-1/4"	215JP
10	3	L03827	8-1/2"	1-1/4"	215JP
15	3	L03827	8-1/2"	1-1/4"	254JP

**NOTE 1:** For an explanation of the tabulated material found on this page and for impeller key location, refer to **Supplement A** located at the beginning of this section.

**NOTE 2:** Also accepts gasket **S05126** as replacement for O-Ring. See **Supplement E** located at the beginning of this section.





# BERKELEY® B3ZPMS

## Bronze Impeller

Threaded Case (NPT), Mechanical Shaft Seal Construction

ELECTRIC MOTOR DRIVE

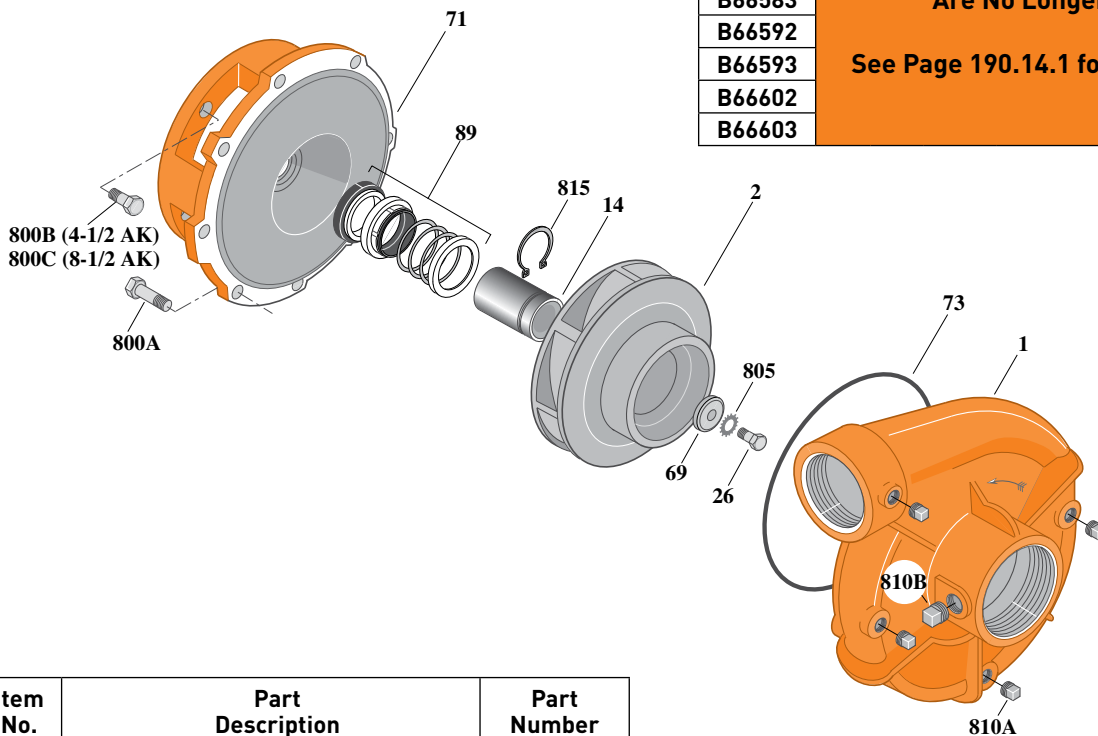
Section	CC
Page	190.13
Date	March 4, 2013
Supersedes 07/01/11	

**Table I**

B/M No.	HP	PH	RPM	"U" Dim.	Imp. Dia.	Imp. No.
B66570						
B66571						
B66582						
B66583						
B66592						
B66593						
B66602						
B66603						

**These B/M Numbers  
Are No Longer Available.**

**See Page 190.14.1 for Current Models.**



Item No.	Part Description	Part Number
1	Case, Volute	H00689
2	Impeller	See Table I
14	Sleeve, Shaft	S19310L
26	Screw, Impeller 3/8 - 16 x 1"	S23566
32	Key, 3/16 x 1-1/4" [See Note 1]	S34383
69	Washer, Impeller	S06314
71	Bracket	See Table II
73	O-Ring [See Note 2]	M14943
89	Seal, Mechanical Shaft	S32014
800A	Capscrew, 3/8 - 16 x 1" [12 Req.] [4-1/2 AK] [Use for Motor and Volute]	S26826
800A	Capscrew, 3/8 - 16 x 1" [8 Req.] [8-1/2 AK] [Use for Volute Only]	S26826
800B	Capscrew, 1/2 - 13 x 1" [4 Req.]	S26912
805	Washer, Lock	S23036
810A	Plug, Pipe 1/4 NPT [4 Req.]	S23715
810B	Plug, Pipe 1/2 NPT	S23717
815	Ring, Retaining	S11207

**Table II**

HP	PH	Bracket No.	"AK" Fit	"U" Dim.	Motor Frame
3	1	L05332	4-1/2"	7/8"	184JM
3	3	L05332	4-1/2"	7/8"	182JM
5	1	L05331	8-1/2"	7/8"	213JM
5	3	L05332	4-1/2"	7/8"	184JM
7.5	1	L05331	8-1/2"	7/8"	215JM
7.5	3	L05331	8-1/2"	7/8"	213JM
10	1	L05331	8-1/2"	7/8"	215JM
10	3	L05331	8-1/2"	7/8"	215JM

**NOTE 1:** For an explanation of the tabulated material found on this page and for impeller key location, refer to **Supplement A** located at the beginning of this section.

**NOTE 2:** Also accepts gasket **S05126** as replacement for O-Ring. See **Supplement E** located at the beginning of this section.



# BERKELEY® B3ZPMS

## Bronze Impeller

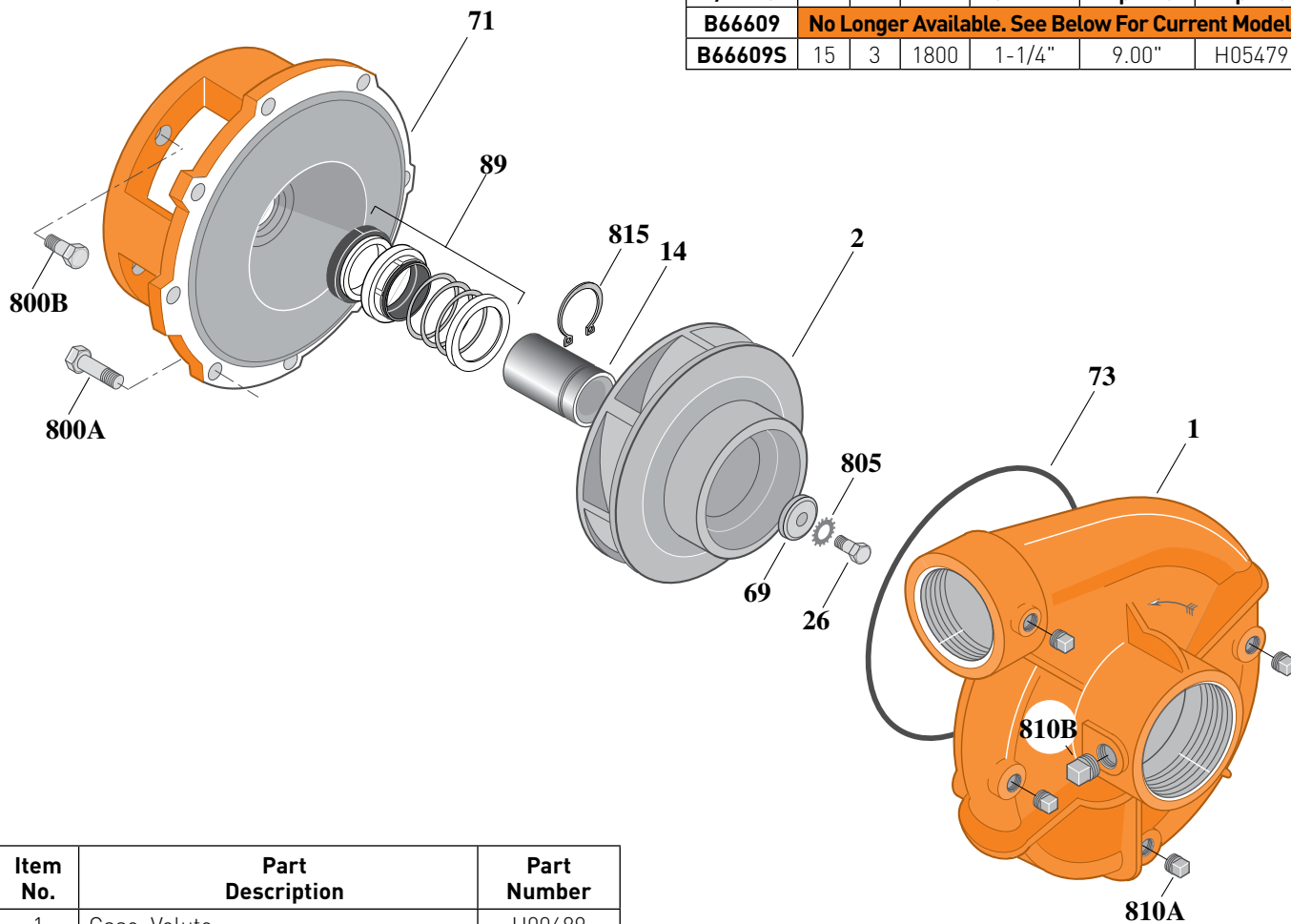
Threaded Case (NPT), Mechanical Shaft Seal Construction

## ELECTRIC MOTOR DRIVE

Section	CC
Page	190.14
Date	March 4, 2013
Supersedes 07/01/11	

Table I

B/M No.	HP	PH	RPM	"U" Dim.	Imp. Dia.	Imp. No.
B66609	No Longer Available. See Below For Current Model.					
B66609S	15	3	1800	1-1/4"	9.00"	H05479



1612 1210

Item No.	Part Description	Part Number
1	Case, Volute	H00689
2	Impeller	See Table I
14	Sleeve, Shaft	S18869L
26	Screw, Impeller 1/2 - 13 x 1"	S23619
32	Key, 1/4 x 2-1/4" [See Note 1]	S23677
69	Washer, Impeller	S06319
71	Bracket	See Table II
73	O-Ring [See Note 2]	M14943
89	Seal, Mechanical Shaft	S32015
800A	Capscrew, 3/8 - 16 x 1" [8 Req.]	S26826
800B	Capscrew, 1/2 - 13 x 1" [4 Req.]	S26912
805	Washer, Lock	S23038
810A	Plug, Pipe 1/4 NPT [4 Req.]	S23715
810B	Plug, Pipe 1/2 NPT	S23717
815	Ring, Retaining	S16767

Table II

HP	PH	Bracket No.	"AK" Fit	"U" Dim.	Motor Frame
15	3	L04615	8-1/2"	1-1/4"	254JM

**NOTE 1:** For an explanation of the tabulated material found on this page and for impeller key location, refer to **Supplement A** located at the beginning of this section.

**NOTE 2:** Also accepts gasket **S05126** as replacement for O-Ring. See **Supplement E** located at the beginning of this section.



# BERKELEY® B3ZPMS Silicon Bronze Impeller

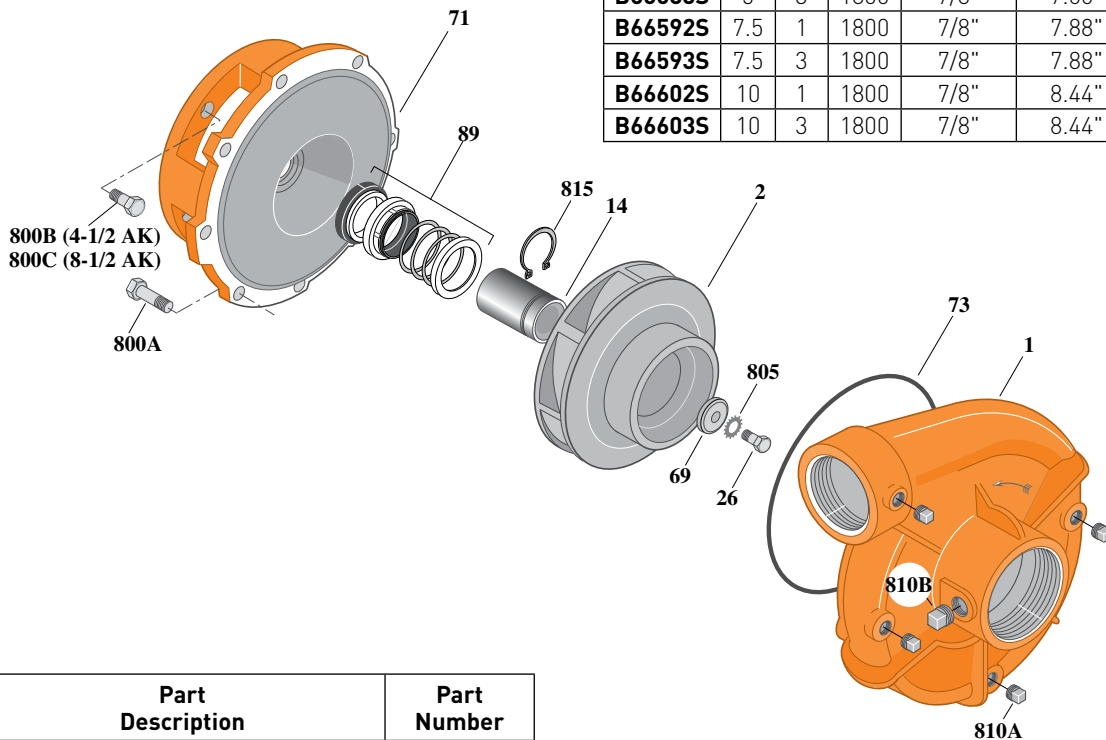
Threaded Case (NPT), Mechanical Shaft Seal Construction

## ELECTRIC MOTOR DRIVE

Section	CC
Page	190.14.1
Date	March 4, 2013
Supersedes 07/01/11	

**Table I**

B/M No.	HP	PH	RPM	"U" Dim.	Imp. Dia.	Imp. No.
B66570S	3	1	1800	7/8"	6.06"	H05480
B66571S	3	3	1800	7/8"	6.06"	H05480
B66582S	5	1	1800	7/8"	7.00"	H05481
B66583S	5	3	1800	7/8"	7.00"	H05481
B66592S	7.5	1	1800	7/8"	7.88"	H05482
B66593S	7.5	3	1800	7/8"	7.88"	H05482
B66602S	10	1	1800	7/8"	8.44"	H05483
B66603S	10	3	1800	7/8"	8.44"	H05483



Item No.	Part Description	Part Number
1	Case, Volute	H00689
2	Impeller	See Table I
14	Sleeve, Shaft	S19310L
26	Screw, Impeller 3/8 - 16 x 1"	S23566
32	Key, 3/16 x 1-1/4" [See Note 1]	S34383
69	Washer, Impeller	S06314
71	Bracket	See Table II
73	O-Ring [See Note 2]	M14943
89	Seal, Mechanical Shaft	S32014
800A	Capscrew, 3/8 - 16 x 1" [12 Req.] [4-1/2 AK] [Use for Motor and Volute]	S26826
800A	Capscrew, 3/8 - 16 x 1" [8 Req.] [8-1/2 AK] [Use for Volute Only]	S26826
800B	Capscrew, 1/2 - 13 x 1" [4 Req.]	S26912
805	Washer, Lock	S23036
810A	Plug, Pipe 1/4 NPT [4 Req.]	S23715
810B	Plug, Pipe 1/2 NPT	S23717
815	Ring, Retaining	S11207

**Table II**

HP	PH	Bracket No.	"AK" Fit	"U" Dim.	Motor Frame
3	1	L05332	4-1/2"	7/8"	184JM
3	3	L05332	4-1/2"	7/8"	182JM
5	1	L05331	8-1/2"	7/8"	213JM
5	3	L05332	4-1/2"	7/8"	184JM
7.5	1	L05331	8-1/2"	7/8"	215JM
7.5	3	L05331	8-1/2"	7/8"	213JM
10	1	L05331	8-1/2"	7/8"	215JM
10	3	L05331	8-1/2"	7/8"	215JM

**NOTE 1:** For an explanation of the tabulated material found on this page and for impeller key location, refer to **Supplement A** located at the beginning of this section.

**NOTE 2:** Also accepts gasket **S05126** as replacement for O-Ring. See **Supplement E** located at the beginning of this section.



# BERKELEY® B3ZPMS Silicon Bronze Impeller

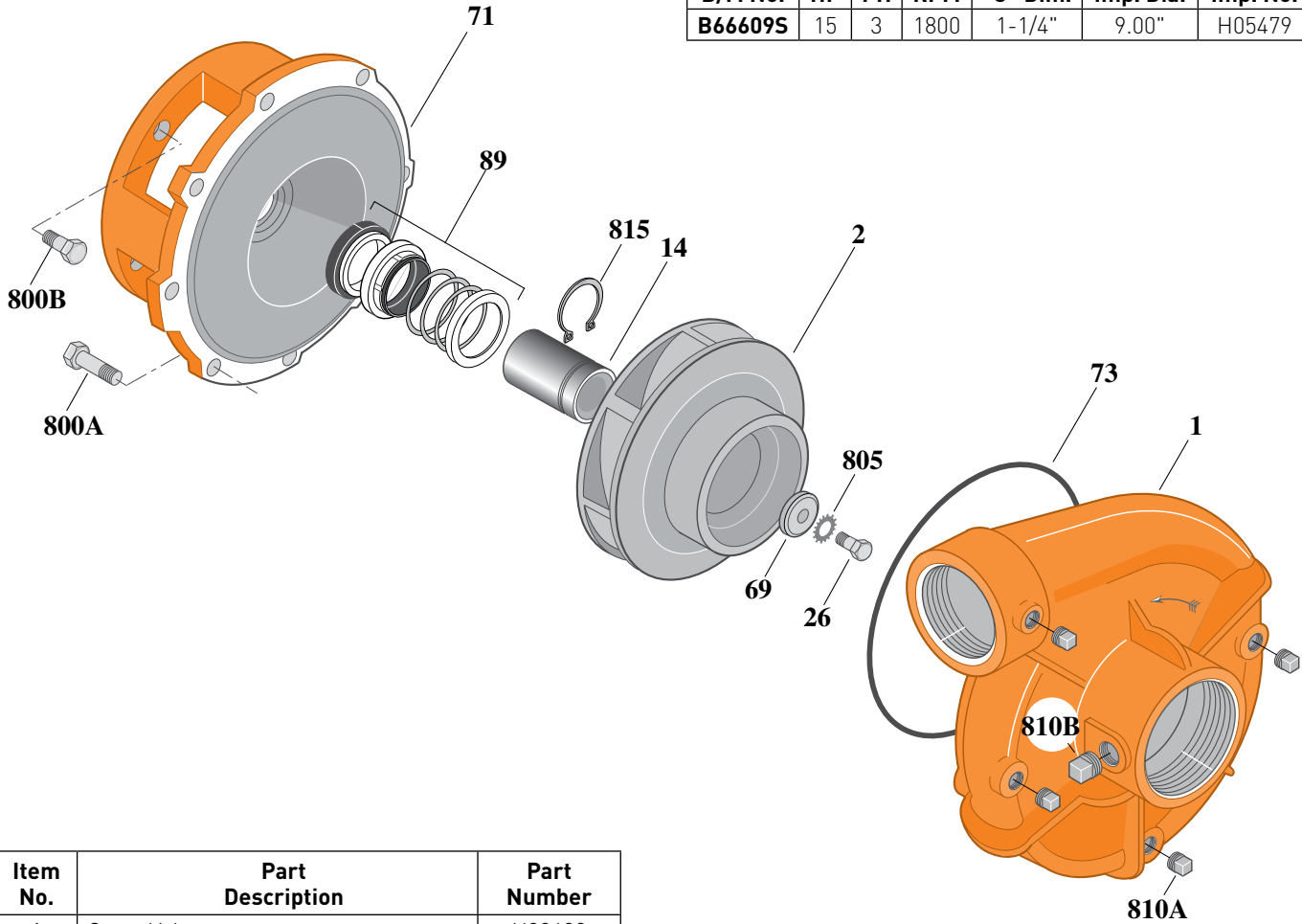
Threaded Case (NPT), Mechanical Shaft Seal Construction

## ELECTRIC MOTOR DRIVE

Section	CC
Page	190.14.2
Date	March 4, 2013
Supersedes 07/01/11	

**Table I**

B/M No.	HP	PH	RPM	"U" Dim.	Imp. Dia.	Imp. No.
<b>B66609S</b>	15	3	1800	1-1/4"	9.00"	H05479



1612 1210

Item No.	Part Description	Part Number
1	Case, Volute	H00689
2	Impeller	See Table I
14	Sleeve, Shaft	S18869L
26	Screw, Impeller 1/2 - 13 x 1"	S23619
32	Key, 1/4 x 2-1/4" [See Note 1]	S23677
69	Washer, Impeller	S06319
71	Bracket	See Table II
73	O-Ring [See Note 2]	M14943
89	Seal, Mechanical Shaft	S32015
800A	Capscrew, 3/8 - 16 x 1" [8 Req.]	S26826
800B	Capscrew, 1/2 - 13 x 1" [4 Req.]	S26912
805	Washer, Lock	S23038
810A	Plug, Pipe 1/4 NPT [4 Req.]	S23715
810B	Plug, Pipe 1/2 NPT	S23717
815	Ring, Retaining	S16767

**Table II**

HP	PH	Bracket No.	"AK" Fit	"U" Dim.	Motor Frame
15	3	L04615	8-1/2"	1-1/4"	254JM

**NOTE 1:** For an explanation of the tabulated material found on this page and for impeller key location, refer to **Supplement A** located at the beginning of this section.

**NOTE 2:** Also accepts gasket **S05126** as replacement for O-Ring. See **Supplement E** located at the beginning of this section.



# BERKELEY® B3ZPMS

## Bronze Impeller

Flanged Case, Mechanical Shaft Seal Construction

## ELECTRIC MOTOR DRIVE

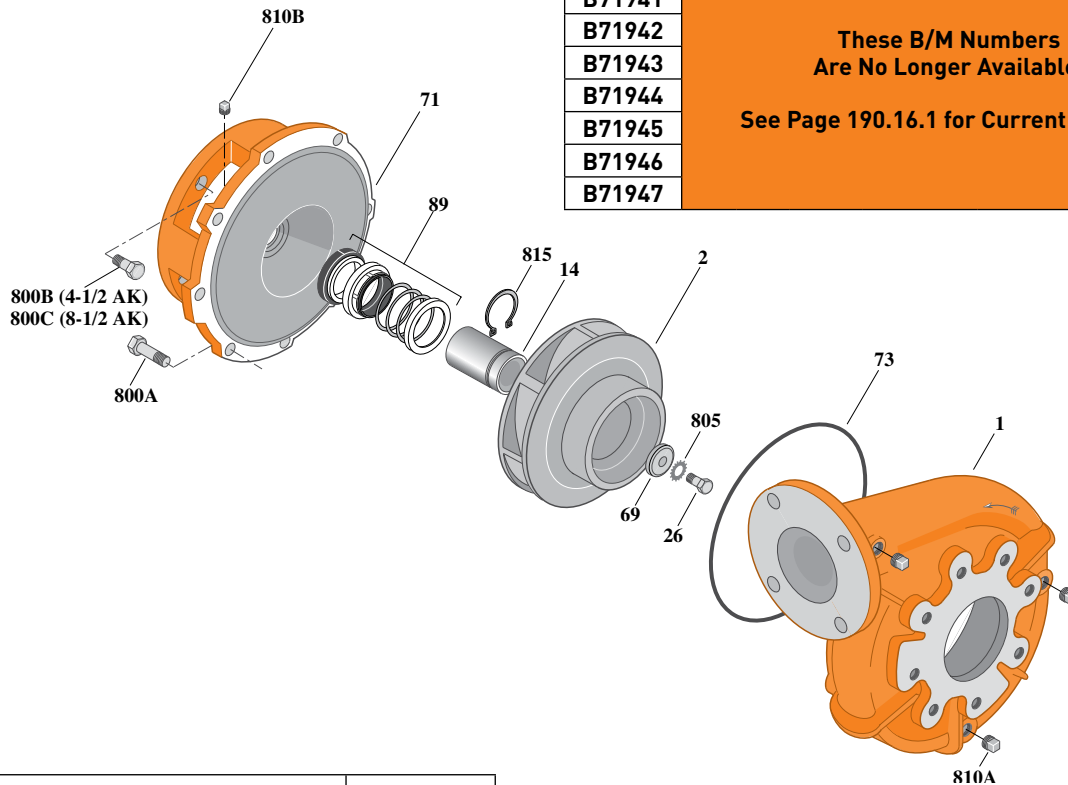
Section	CC
Page	190.15
Date	March 4, 2013
Supersedes 07/01/11	

**Table I**

B/M No.	HP	PH	RPM	"U" Dim.	Imp. Dia.	Imp. No.
B71940						
B71941						
B71942						
B71943						
B71944						
B71945						
B71946						
B71947						

**These B/M Numbers  
Are No Longer Available.**

**See Page 190.16.1 for Current Models.**



Item No.	Part Description	Part Number
1	Case, Volute	H05130
2	Impeller	See Table I
14	Sleeve, Shaft	S19310L
26	Screw, Impeller 3/8 - 16 x 1"	S23566
32	Key, 3/16 x 1-1/4" [See Note 1]	S34383
69	Washer, Impeller	S06314
71	Bracket	See Table II
73	O-Ring [See Note 2]	M14943
89	Seal, Mechanical Shaft	S32014
800A	Capscrew, 3/8 - 16 x 1" [12 Req.] [4-1/2 AK] [Use for Motor and Volute]	S26826
800A	Capscrew, 3/8 - 16 x 1" [8 Req.] [8-1/2 AK] [Use for Volute Only]	S26826
800B	Capscrew, 1/2 - 13 x 1" [4 Req.]	S26912
805	Washer, Lock	S23036
810	Plug, Pipe 1/4 NPT [3 Req.]	S23715
815	Ring, Retaining	S11207

**Table II**

HP	PH	Bracket No.	"AK" Fit	"U" Dim.	Motor Frame
3	1	L05332	4-1/2"	7/8"	184JM
3	3	L05332	4-1/2"	7/8"	182JM
5	1	L05331	8-1/2"	7/8"	213JM
5	3	L05332	4-1/2"	7/8"	184JM
7.5	1	L05331	8-1/2"	7/8"	215JM
7.5	3	L05331	8-1/2"	7/8"	213JM
10	1	L05331	8-1/2"	7/8"	215JM
10	3	L05331	8-1/2"	7/8"	215JM

**NOTE 1:** For an explanation of the tabulated material found on this page and for impeller key location, refer to **Supplement A** located at the beginning of this section.

**NOTE 2:** Also accepts gasket **S05126** as replacement for O-Ring. See **Supplement E** located at the beginning of this section.



# BERKELEY® B3ZPMS

## Bronze Impeller

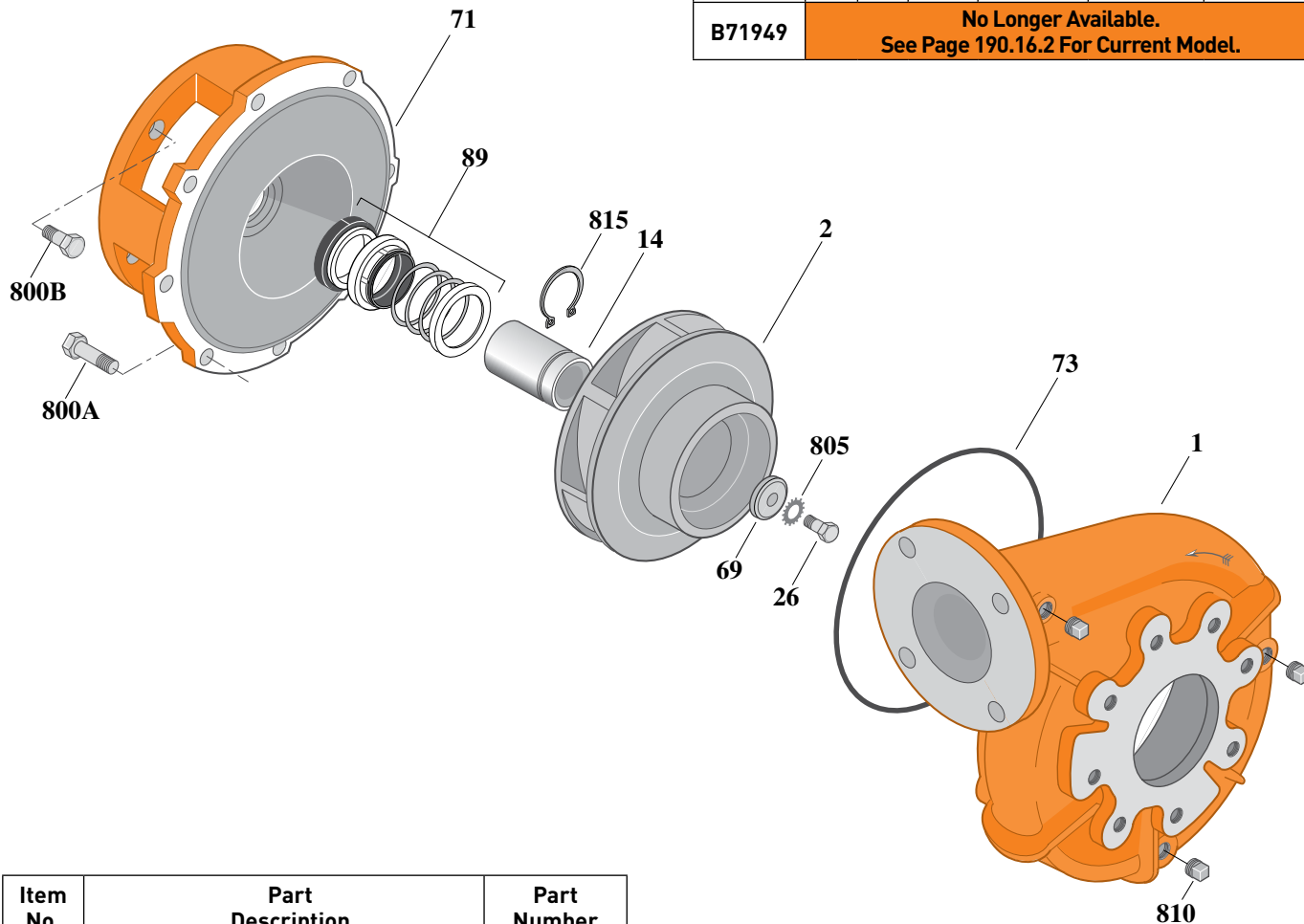
Flanged Case, Mechanical Shaft Seal Construction

### ELECTRIC MOTOR DRIVE

Section	CC
Page	190.16
Date	March 4, 2013
Supersedes 07/01/11	

**Table I**

B/M No.	HP	PH	RPM	"U" Dim.	Imp. Dia.	Imp. No.
B71949	<b>No Longer Available. See Page 190.16.2 For Current Model.</b>					



1614 0195

Item No.	Part Description	Part Number
1	Case, Volute	H05130
2	Impeller	See Table I
14	Sleeve, Shaft	S18869L
26	Screw, Impeller 1/2 - 13 x 1"	S23619
32	Key, 1/4 x 2-1/4" [See Note 1]	S23677
69	Washer, Impeller	S06319
71	Bracket	See Table II
73	O-Ring [See Note 2]	M14943
89	Seal, Mechanical Shaft	S32015
800A	Cap screw, 3/8 - 16 x 1" [8 Req.]	S26826
800B	Cap screw, 1/2 - 13 x 1" [4 Req.]	S26912
805	Washer, Lock	S23038
810	Plug, Pipe 1/4 NPT [3 Req.]	S23715
815	Ring, Retaining	S16767

**Table II**

HP	PH	Bracket No.	"AK" Fit	"U" Dim.	Motor Frame
15	3	L04615	8-1/2"	1-1/4"	254JM

**NOTE 1:** For an explanation of the tabulated material found on this page and for impeller key location, refer to **Supplement A** located at the beginning of this section.

**NOTE 2:** Also accepts gasket **S05126** as replacement for O-Ring. See **Supplement E** located at the beginning of this section.



# BERKELEY® B3ZPMS Silicon Bronze Impeller

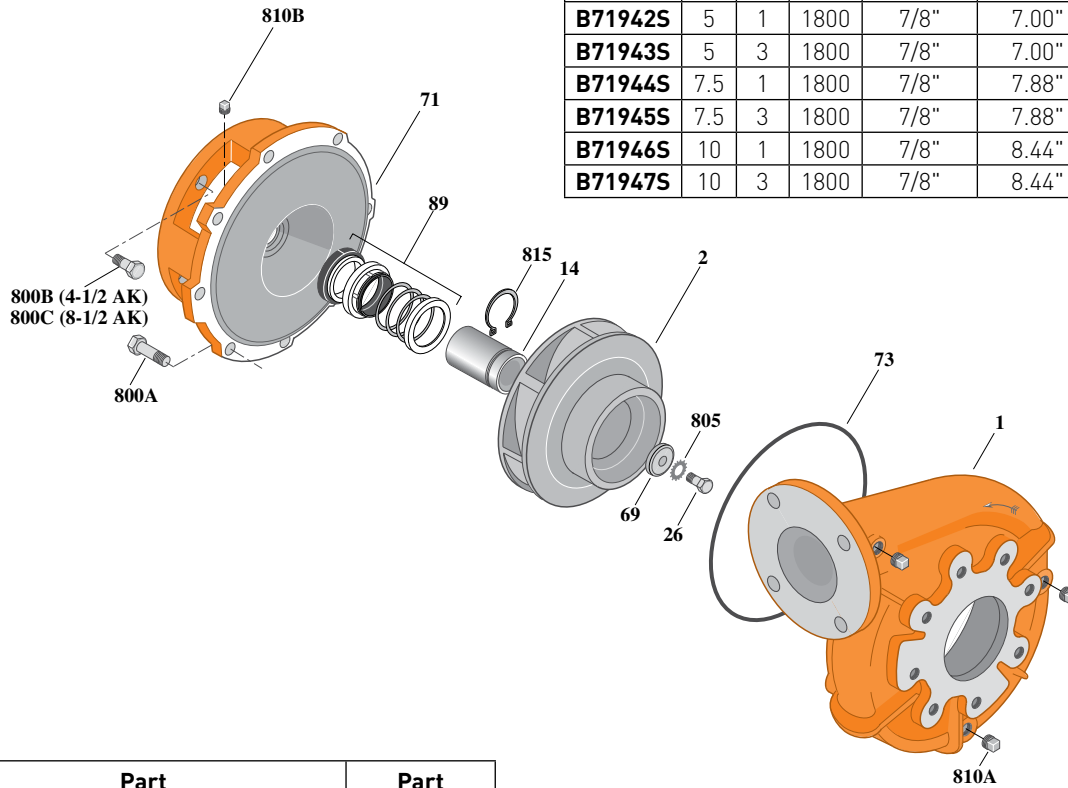
Flanged Case, Mechanical Shaft Seal Construction

## ELECTRIC MOTOR DRIVE

Section	CC
Page	190.16.1
Date	March 4, 2013
Supersedes 07/01/11	

**Table I**

B/M No.	HP	PH	RPM	"U" Dim.	Imp. Dia.	Imp. No.
<b>B71940S</b>	3	1	1800	7/8"	6.06"	H05480
<b>B71941S</b>	3	3	1800	7/8"	6.06"	H05480
<b>B71942S</b>	5	1	1800	7/8"	7.00"	H05481
<b>B71943S</b>	5	3	1800	7/8"	7.00"	H05481
<b>B71944S</b>	7.5	1	1800	7/8"	7.88"	H05482
<b>B71945S</b>	7.5	3	1800	7/8"	7.88"	H05482
<b>B71946S</b>	10	1	1800	7/8"	8.44"	H05483
<b>B71947S</b>	10	3	1800	7/8"	8.44"	H05483



Item No.	Part Description	Part Number
1	Case, Volute	H05130
2	Impeller	See Table I
14	Sleeve, Shaft	S19310L
26	Screw, Impeller 3/8 - 16 x 1"	S23566
32	Key, 3/16 x 1-1/4" [See Note 1]	S34383
69	Washer, Impeller	S06314
71	Bracket	See Table II
73	O-Ring [See Note 2]	M14943
89	Seal, Mechanical Shaft	S32014
800A	Capscrew, 3/8 - 16 x 1" [12 Req.] [4-1/2 AK] [Use for Motor and Volute]	S26826
800A	Capscrew, 3/8 - 16 x 1" [8 Req.] [8-1/2 AK] [Use for Volute Only]	S26826
800B	Capscrew, 1/2 - 13 x 1" [4 Req.]	S26912
805	Washer, Lock	S23036
810	Plug, Pipe 1/4 NPT [3 Req.]	S23715
815	Ring, Retaining	S11207

**Table II**

HP	PH	Bracket No.	"AK" Fit	"U" Dim.	Motor Frame
3	1	L05332	4-1/2"	7/8"	184JM
3	3	L05332	4-1/2"	7/8"	182JM
5	1	L05331	8-1/2"	7/8"	213JM
5	3	L05332	4-1/2"	7/8"	184JM
7.5	1	L05331	8-1/2"	7/8"	215JM
7.5	3	L05331	8-1/2"	7/8"	213JM
10	1	L05331	8-1/2"	7/8"	215JM
10	3	L05331	8-1/2"	7/8"	215JM

**NOTE 1:** For an explanation of the tabulated material found on this page and for impeller key location, refer to **Supplement A** located at the beginning of this section.

**NOTE 2:** Also accepts gasket **S05126** as replacement for O-Ring. See **Supplement E** located at the beginning of this section.



# BERKELEY® B3ZPMS Silicon Bronze Impeller

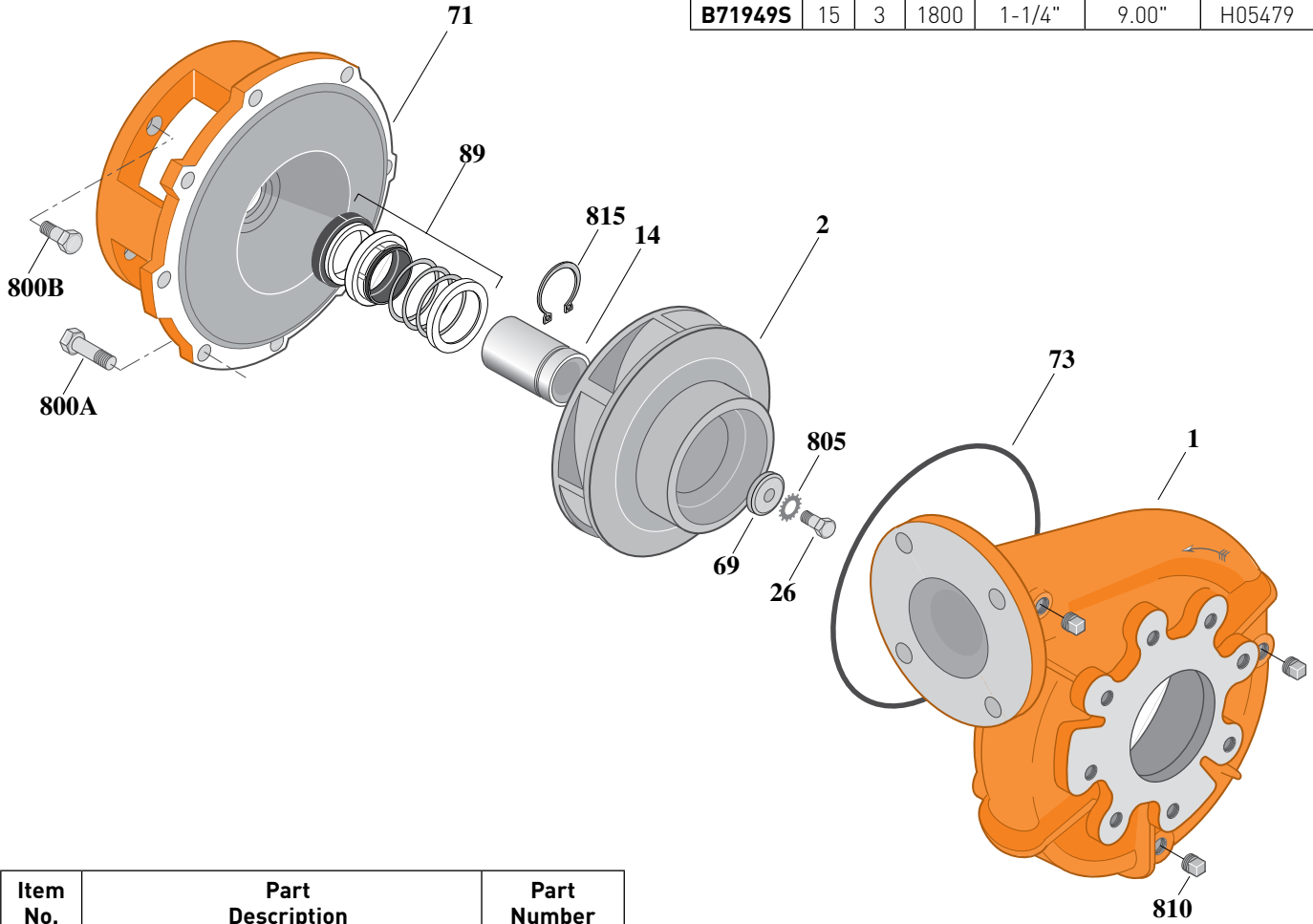
Flanged Case, Mechanical Shaft Seal Construction

## ELECTRIC MOTOR DRIVE

Section	CC
Page	190.16.2
Date	March 4, 2013
Supersedes 07/01/11	

**Table I**

B/M No.	HP	PH	RPM	"U" Dim.	Imp. Dia.	Imp. No.
B71949S	15	3	1800	1-1/4"	9.00"	H05479



1614 0195

Item No.	Part Description	Part Number
1	Case, Volute	H05130
2	Impeller	See Table I
14	Sleeve, Shaft	S18869L
26	Screw, Impeller 1/2 - 13 x 1"	S23619
32	Key, 1/4 x 2-1/4" [See Note 1]	S23677
69	Washer, Impeller	S06319
71	Bracket	See Table II
73	O-Ring [See Note 2]	M14943
89	Seal, Mechanical Shaft	S32015
800A	Cap screw, 3/8 - 16 x 1" [8 Req.]	S26826
800B	Cap screw, 1/2 - 13 x 1" [4 Req.]	S26912
805	Washer, Lock	S23038
810	Plug, Pipe 1/4 NPT [3 Req.]	S23715
815	Ring, Retaining	S16767

**Table II**

HP	PH	Bracket No.	"AK" Fit	"U" Dim.	Motor Frame
15	3	L04615	8-1/2"	1-1/4"	254JM

**NOTE 1:** For an explanation of the tabulated material found on this page and for impeller key location, refer to **Supplement A** located at the beginning of this section.

**NOTE 2:** Also accepts gasket **S05126** as replacement for O-Ring. See **Supplement E** located at the beginning of this section.





# BERKELEY® B3ZPM

## Silicon Bronze Impeller

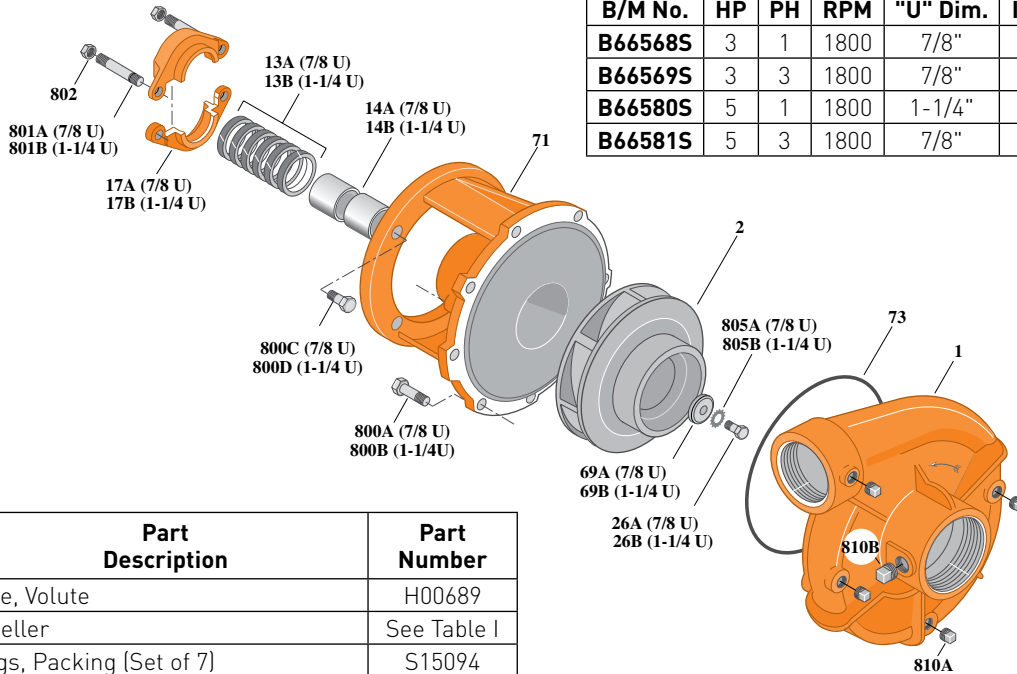
Threaded Case (NPT), Packing Construction

### ELECTRIC MOTOR DRIVE

Section	CC
Page	190.17
Date	March 4, 2013
Supersedes 07/01/11	

**Table I**

B/M No.	HP	PH	RPM	"U" Dim.	Imp. Dia.	Imp. No.
<b>B66568S</b>	3	1	1800	7/8"	6.06"	H05480
<b>B66569S</b>	3	3	1800	7/8"	6.06"	H05480
<b>B66580S</b>	5	1	1800	1-1/4"	7.00"	H05478
<b>B66581S</b>	5	3	1800	7/8"	7.00"	H05481



Item No.	Part Description	Part Number
1	Case, Volute	H00689
2	Impeller	See Table I
13A	Rings, Packing [Set of 7]	S15094
13B	Rings, Packing [Set of 6]	S13470
14A	Sleeve, Shaft [2 Req.]	S00619L
14B	Sleeve, Shaft	S05149L
17A	Gland, Packing	B82469
17B	Gland, Packing	B82470
26A	Screw, Impeller 3/8 - 16 x 1"	S23566
26B	Screw, Impeller 1/2 - 13 x 1"	S23619
32A	Key, 3/16 x 1-1/4" [See Note 1]	S34383
32B	Key, 1/4 x 2-1/4" [See Note 1]	S23677
69A	Washer, Impeller	S06314
69B	Washer, Impeller	S06319
71	Bracket	See Table II
73	O-Ring [See Note 2]	M14943
800A	Capscrew, 3/8 - 16 x 1" [8 Req.]	S26826
800B	Capscrew, 3/8 - 16 x 1-1/8" [8 Req.]	S26827
800C	Capscrew, 3/8 - 16 x 1" [4 Req.]	S26826
800D	Capscrew, 1/2 - 13 x 1-1/2" [4 Req.]	S26916
801A	Stud, 3/8 - 16 x 3" [2 Req.]	S04439
801B	Stud, 3/8 - 16 x 4" [2 Req.]	S08303
802	Nut, Hex 3/8 - 16 [2 Req.]	S23343
805A	Washer, Lock	S23036
805B	Washer, Lock	S23038
810A	Plug, Pipe 1/4" NPT [4 Req.]	S23715
810B	Plug, Pipe 1/2" NPT	S23717

**Table II**

HP	PH	Bracket No.	"AK" Fit	"U" Dim.	Motor Frame
3	1	H00950	4-1/2"	7/8"	184JP
3	3	H00950	4-1/2"	7/8"	182JP
5	1	L03827	8-1/2"	1-1/4"	213JP
5	3	H00950	4-1/2"	7/8"	184JP

**NOTE 1:** For an explanation of the tabulated material found on this page and for impeller key location, refer to **Supplement A** located at the beginning of this section.

**NOTE 2:** Also accepts gasket **S05126** as replacement for O-Ring. See **Supplement E** located at the beginning of this section.



# BERKELEY® B3ZPM

## Silicon Bronze Impeller

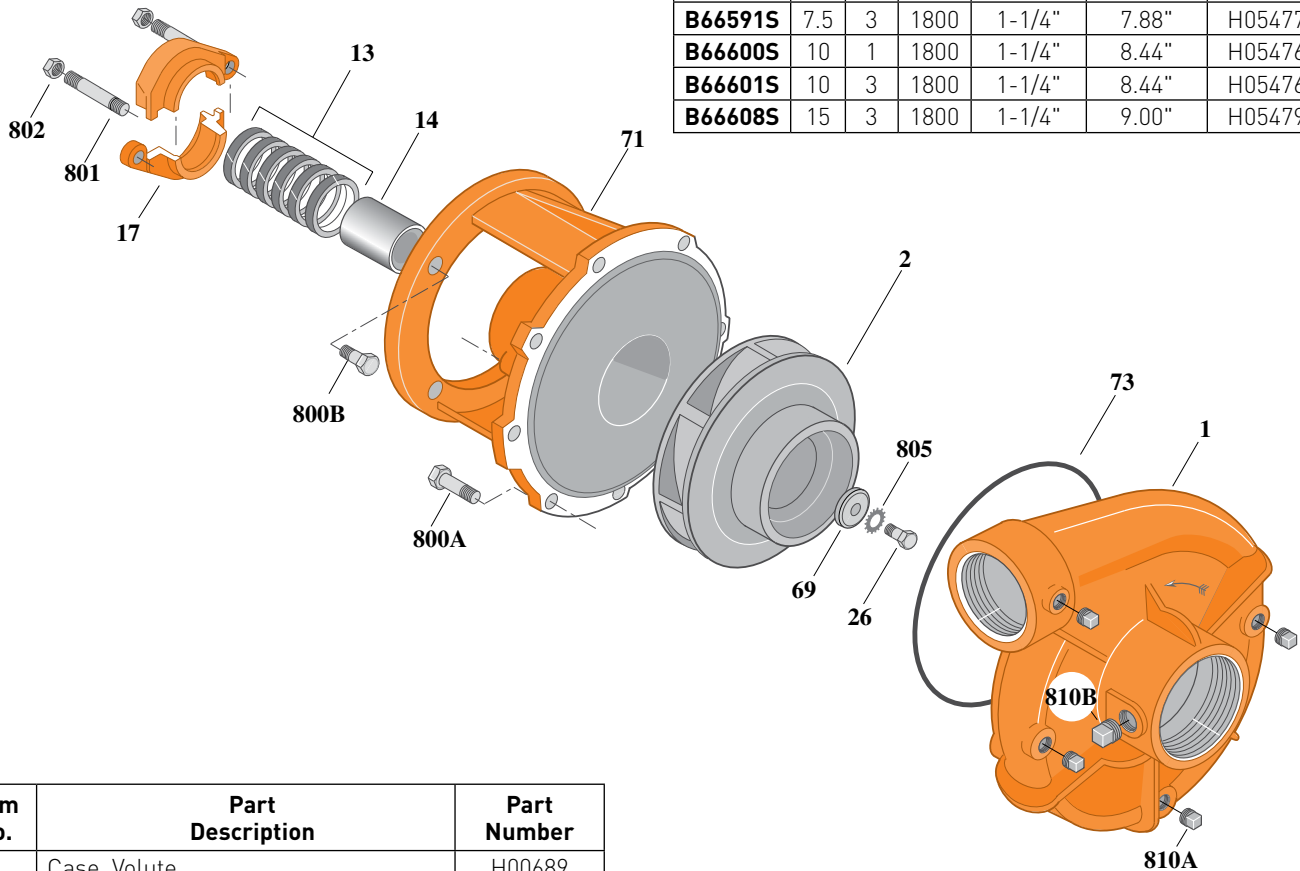
Threaded Case (NPT), Packing Construction

### ELECTRIC MOTOR DRIVE

Section	CC
Page	190.18
Date	March 4, 2013
Supersedes 07/01/11	

**Table I**

B/M No.	HP	PH	RPM	"U" Dim.	Imp. Dia.	Imp. No.
B66590S	7.5	1	1800	1-1/4"	7.88"	H05477
B66591S	7.5	3	1800	1-1/4"	7.88"	H05477
B66600S	10	1	1800	1-1/4"	8.44"	H05476
B66601S	10	3	1800	1-1/4"	8.44"	H05476
B66608S	15	3	1800	1-1/4"	9.00"	H05479



Item No.	Part Description	Part Number
1	Case, Volute	H00689
2	Impeller	See Table I
13	Rings, Packing (Set of 6)	S13470
14	Sleeve, Shaft	S05149L
17	Gland, Packing	B82470
26	Screw, Impeller 1/2 - 13 x 1"	S23619
32	Key, 1/4 x 2-1/4" [See Note 1]	S23677
69	Washer, Impeller	S06319
71	Bracket	See Table II
73	O-Ring [See Note 2]	M14943
800A	Capscrew, 3/8 - 16 x 1" [8 Req.]	S26826
800B	Capscrew, 1/2 - 13 x 1-1/2" [4 Req.]	S26916
801	Stud, 3/8 - 16 x 4" [2 Req.]	S08303
802	Nut, Hex 3/8 - 16 [2 Req.]	S23343
805	Washer, Lock	S23038
810A	Plug, Pipe 1/4" NPT [4 Req.]	S23715
810B	Plug, Pipe 1/2" NPT	S23717

**Table II**

HP	PH	Bracket No.	"AK" Fit	"U" Dim.	Motor Frame
7.5	1	L03827	8-1/2"	1-1/4"	215JP
7.5	3	L03827	8-1/2"	1-1/4"	213JP
10	1	L03827	8-1/2"	1-1/4"	215JP
10	3	L03827	8-1/2"	1-1/4"	215JP
15	3	L03827	8-1/2"	1-1/4"	254JP

**NOTE 1:** For an explanation of the tabulated material found on this page and for impeller key location, refer to **Supplement A** located at the beginning of this section.

**NOTE 2:** Also accepts gasket **S05126** as replacement for O-Ring. See **Supplement E** located at the beginning of this section.



# BERKELEY® B3ZPM

## Silicon Bronze Impeller

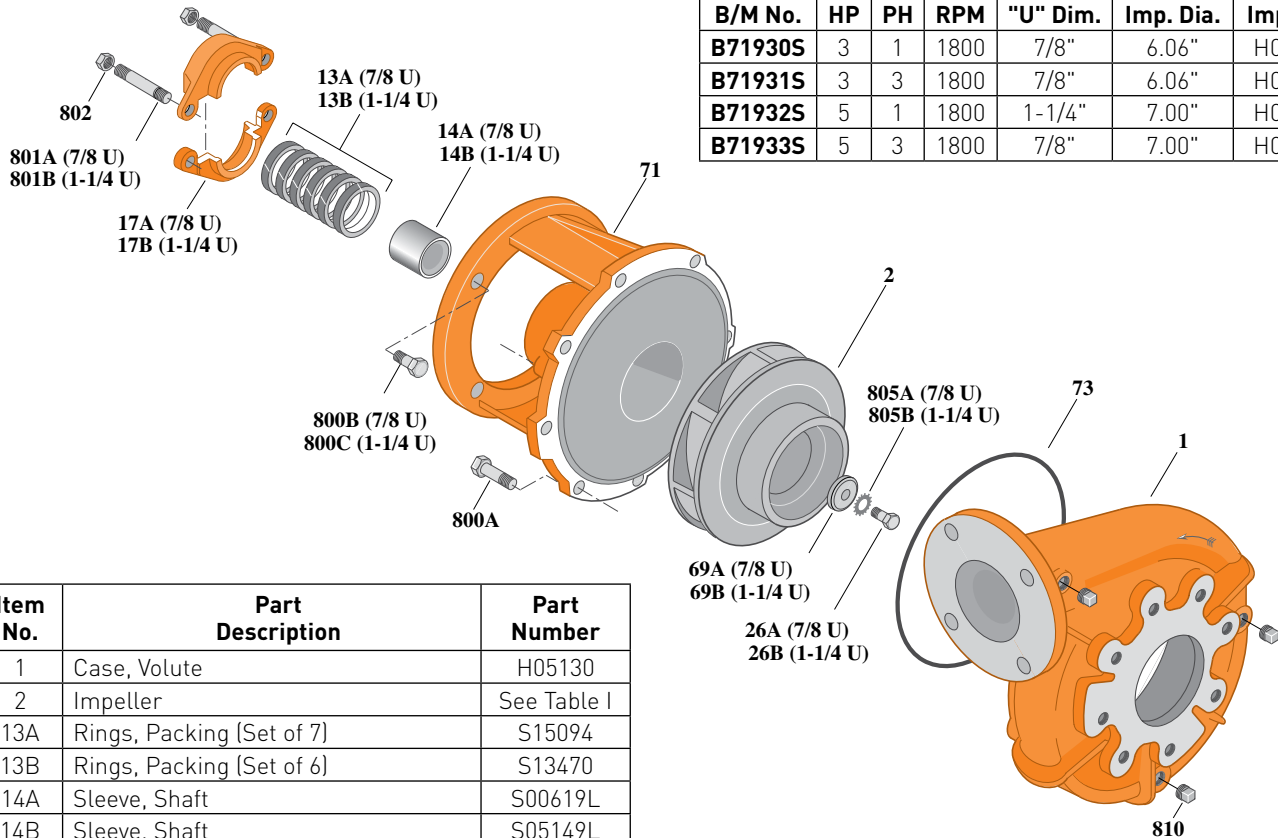
### Flanged Case, Packing Construction

## ELECTRIC MOTOR DRIVE

Section	CC
Page	190.19
Date	March 4, 2013
Supersedes 07/01/11	

**Table I**

B/M No.	HP	PH	RPM	"U" Dim.	Imp. Dia.	Imp. No.
B71930S	3	1	1800	7/8"	6.06"	H05480
B71931S	3	3	1800	7/8"	6.06"	H05480
B71932S	5	1	1800	1-1/4"	7.00"	H05478
B71933S	5	3	1800	7/8"	7.00"	H05481



Item No.	Part Description	Part Number
1	Case, Volute	H05130
2	Impeller	See Table I
13A	Rings, Packing [Set of 7]	S15094
13B	Rings, Packing [Set of 6]	S13470
14A	Sleeve, Shaft	S00619L
14B	Sleeve, Shaft	S05149L
17A	Gland, Packing	B82469
17B	Gland, Packing	B82470
26A	Screw, Impeller 3/8 - 16 x 1"	S23566
26B	Screw, Impeller 1/2 - 13 x 1"	S23619
32A	Key, 3/16 x 1-1/4" [See Note 1]	S34383
32B	Key, 1/4 x 2-1/4" [See Note 1]	S23677
69A	Washer, Impeller	S06314
69B	Washer, Impeller	S06319
71	Bracket	See Table II
73	O-Ring [See Note 2]	M14943
800A	Capscrew, 3/8 - 16 x 1" [8 Req.]	S26826
800B	Capscrew, 3/8 - 16 x 1" [4 Req.]	S26826
800C	Capscrew, 1/2 - 13 x 1-1/2" [4 Req.]	S26916
801A	Stud, 3/8 - 16 x 3" [2 Req.]	S04439
801B	Stud, 3/8 - 16 x 4" [2 Req.]	S08303
802	Nut, Hex 3/8 - 16 [2 Req.]	S23343
805A	Washer, Lock	S23036
805B	Washer, Lock	S23038
810	Plug, Pipe 1/4" NPT [3 Req.]	S23715

**Table II**

HP	PH	Bracket No.	"AK" Fit	"U" Dim.	Motor Frame
3	1	H00950	4-1/2"	7/8"	184JP
3	3	H00950	4-1/2"	7/8"	182JP
5	1	L03827	8-1/2"	1-1/4"	213JP
5	3	H00950	4-1/2"	7/8"	184JP

**NOTE 1:** For an explanation of the tabulated material found on this page and for impeller key location, refer to **Supplement A** located at the beginning of this section.

**NOTE 2:** Also accepts gasket **S05126** as replacement for O-Ring. See **Supplement E** located at the beginning of this section.



# BERKELEY® B3ZPM

## Silicon Bronze Impeller

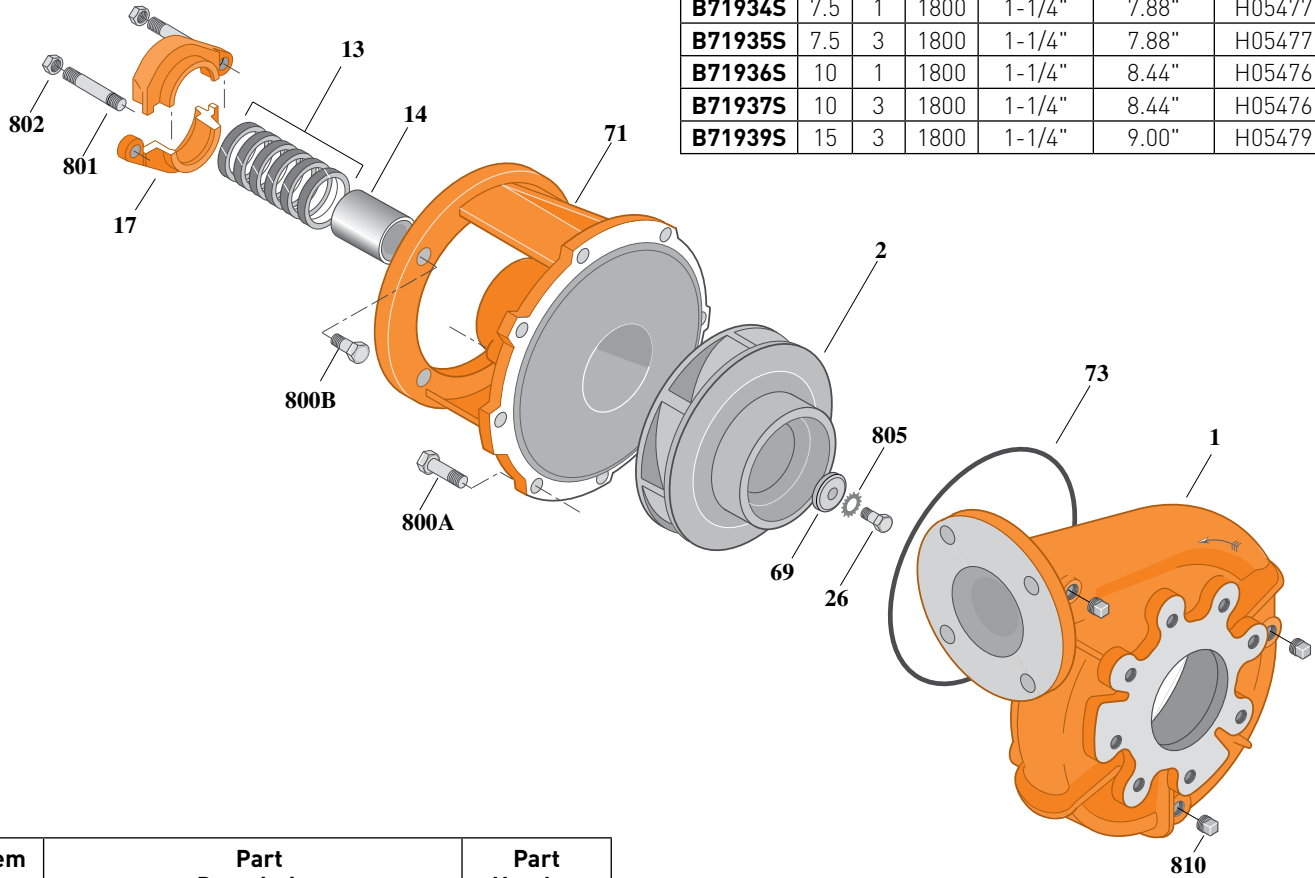
Flanged Case, Packing Construction

### ELECTRIC MOTOR DRIVE

Section	CC
Page	190.20
Date	March 4, 2013
Supersedes 07/01/11	

**Table I**

B/M No.	HP	PH	RPM	"U" Dim.	Imp. Dia.	Imp. No.
B71934S	7.5	1	1800	1-1/4"	7.88"	H05477
B71935S	7.5	3	1800	1-1/4"	7.88"	H05477
B71936S	10	1	1800	1-1/4"	8.44"	H05476
B71937S	10	3	1800	1-1/4"	8.44"	H05476
B71939S	15	3	1800	1-1/4"	9.00"	H05479



Item No.	Part Description	Part Number
1	Case, Volute	H05130
2	Impeller	See Table I
13	Rings, Packing (Set of 6)	S13470
14	Sleeve, Shaft	S05149L
17	Gland, Packing	B82470
26	Screw, Impeller 1/2 - 13 x 1"	S23619
32	Key, 1/4 x 2-1/4" [See Note 1]	S23677
69	Washer, Impeller	S06319
71	Bracket	See Table II
73	O-Ring [See Note 2]	M14943
800A	Capscrew, 3/8 - 16 x 1" [8 Req.]	S26826
800B	Capscrew, 1/2 - 13 x 1-1/2" [4 Req.]	S26916
801	Stud, 3/8 - 16 x 4" [2 Req.]	S08303
802	Nut, Hex 3/8 - 16 [2 Req.]	S23343
805	Washer, Lock	S23038
810	Plug, Pipe 1/4" NPT [3 Req.]	S23715

**Table II**

HP	PH	Bracket No.	"AK" Fit	"U" Dim.	Motor Frame
7.5	1	L03827	8-1/2"	1-1/4"	215JP
7.5	3	L03827	8-1/2"	1-1/4"	213JP
10	1	L03827	8-1/2"	1-1/4"	215JP
10	3	L03827	8-1/2"	1-1/4"	215JP
15	3	L03827	8-1/2"	1-1/4"	254JP

**NOTE 1:** For an explanation of the tabulated material found on this page and for impeller key location, refer to **Supplement A** located at the beginning of this section.

**NOTE 2:** Also accepts gasket **S05126** as replacement for O-Ring. See **Supplement E** located at the beginning of this section.

# BERKELEY® B3ZPMS Silicon Bronze Impeller

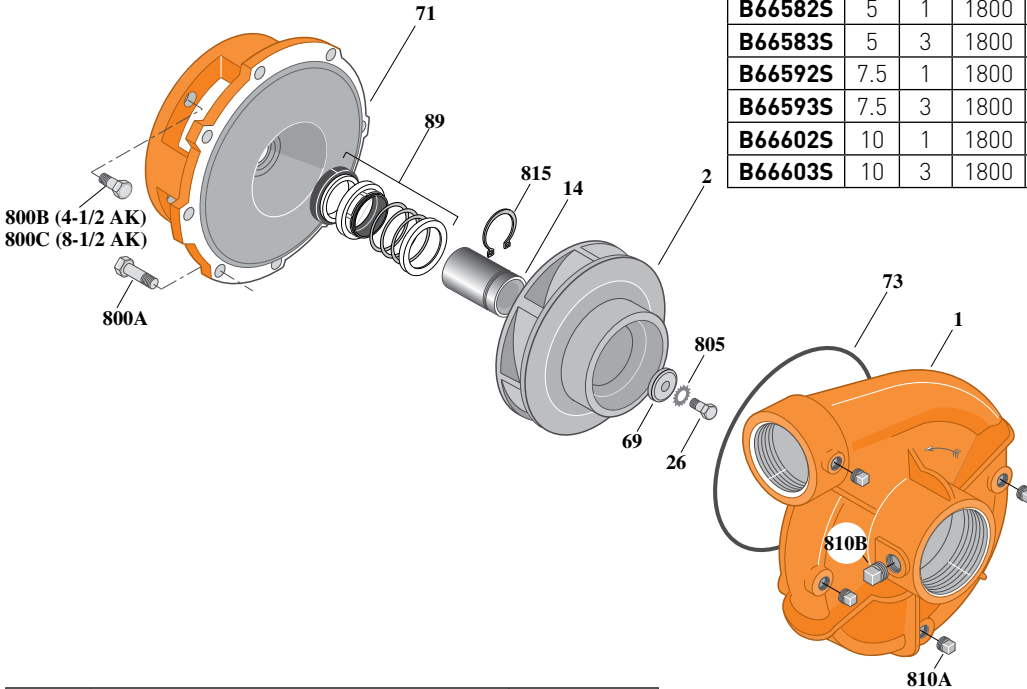
Threaded Case (NPT), Mechanical Shaft Seal Construction

ELECTRIC MOTOR DRIVE

Section	CC
Page	190.21
Date	March 4, 2013
Supersedes 07/01/11	

Table I

B/M No.	HP	PH	RPM	"U" Dim.	Imp. Dia.	Imp. No.
B66570S	3	1	1800	7/8"	6.06"	H05480
B66571S	3	3	1800	7/8"	6.06"	H05480
B66582S	5	1	1800	7/8"	7.00"	H05481
B66583S	5	3	1800	7/8"	7.00"	H05481
B66592S	7.5	1	1800	7/8"	7.88"	H05482
B66593S	7.5	3	1800	7/8"	7.88"	H05482
B66602S	10	1	1800	7/8"	8.44"	H05483
B66603S	10	3	1800	7/8"	8.44"	H05483



1611 1210

Item No.	Part Description	Part Number
1	Case, Volute	H00689
2	Impeller	See Table I
14	Sleeve, Shaft	S19310L
26	Screw, Impeller 3/8 - 16 x 1"	S23566
32	Key, 3/16 x 1-1/4" [See Note 1]	S34383
69	Washer, Impeller	S06314
71	Bracket	See Table II
73	O-Ring [See Note 3]	M14943
89	Seal, Mechanical Shaft	S32014
800A	Capscrew, 3/8 - 16 x 1" [8 Req.]	S26826
800B	Capscrew, 3/8 - 16 x 1" [4 Req.]	S26826
800C	Capscrew, 1/2 - 13 x 1" [4 Req.]	S26912
805	Washer, Lock	S23036
810A	Plug, Pipe 1/4" NPT [4 Req.]	S23715
810B	Plug, Pipe 1/2" NPT	S23717
815	Ring, Retaining	S11207
•	Plug, Pipe 1/8" NPT (In Bracket)	S23714

• Not illustrated.

Table II

HP	PH	Bracket No.	"AK" Fit	"U" Dim.	Motor Frame
3	1	L05332	4-1/2"	7/8"	184JM
3	3	L05332	4-1/2"	7/8"	182JM
5	1	L05331	8-1/2"	7/8"	213JM
5	3	L05332	4-1/2"	7/8"	184JM
7.5	1	L05331	8-1/2"	7/8"	215JM
7.5	3	L05331	8-1/2"	7/8"	213JM
10	1	L05331	8-1/2"	7/8"	215JM
10	3	L05331	8-1/2"	7/8"	215JM

**NOTE 1:** For an explanation of the tabulated material found on this page and for impeller key location, refer to **Supplement A** located at the beginning of this section.

**NOTE 2:** For seal flush line details, see **Supplement D**.

**NOTE 3:** Also accepts gasket **S05126** as replacement for O-Ring. See **Supplement E** located at the beginning of this section.



# BERKELEY® B3ZPMS Silicon Bronze Impeller

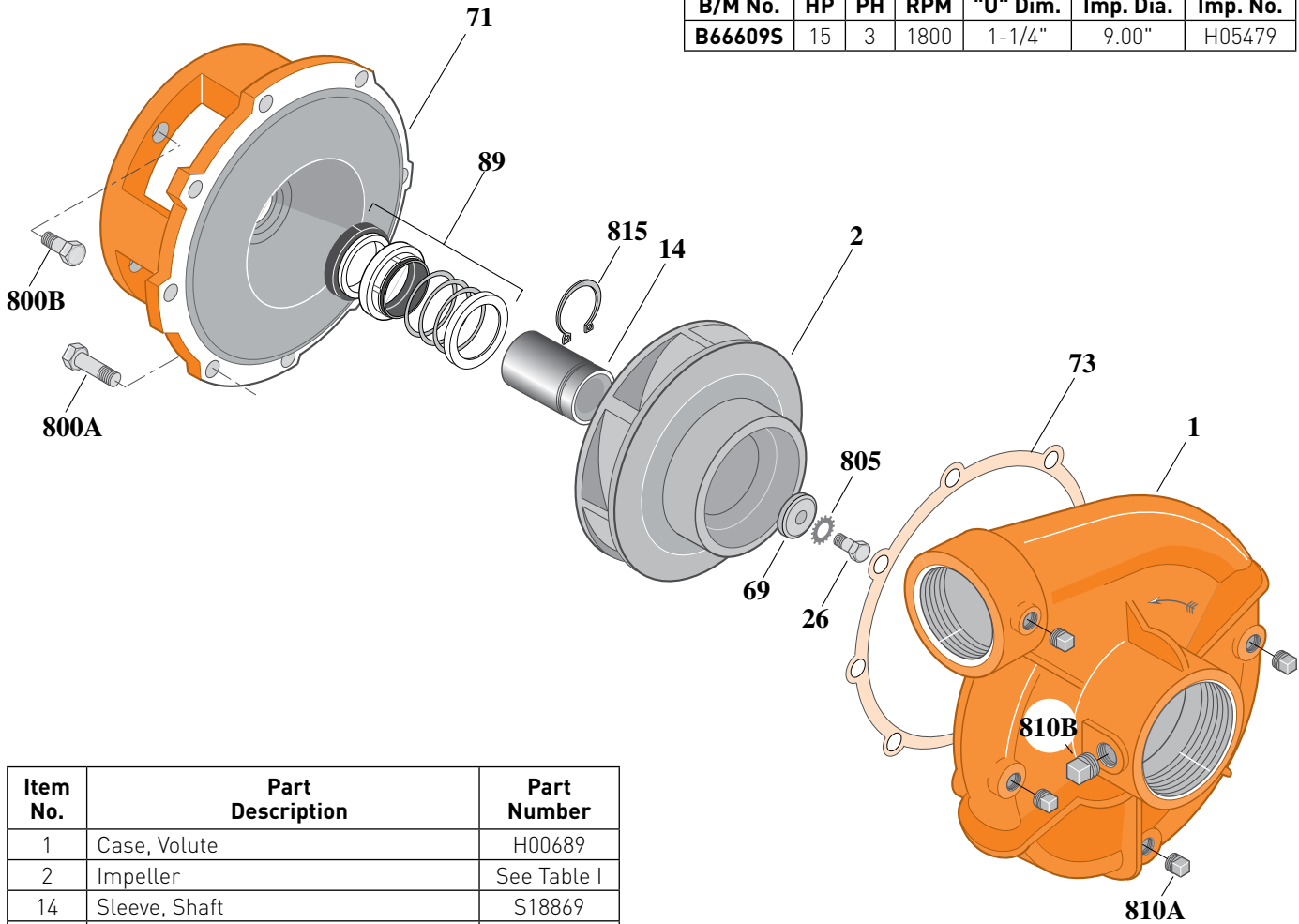
Threaded Case (NPT), Mechanical Shaft Seal Construction

ELECTRIC MOTOR DRIVE

Section	CC
Page	190.22
Date	March 4, 2013
Supersedes 09/01/97	

Table I

B/M No.	HP	PH	RPM	"U" Dim.	Imp. Dia.	Imp. No.
B66609S	15	3	1800	1-1/4"	9.00"	H05479



1612 0195

Item No.	Part Description	Part Number
1	Case, Volute	H00689
2	Impeller	See Table I
14	Sleeve, Shaft	S18869
26	Screw, Impeller 1/2 - 13 x 1"	S23619
32	Key, 1/4 x 2-1/4" (See Note)	S23677
69	Washer, Impeller	S06319
71	Bracket	See Table II
73	Gasket, Volute	S05126
89	Seal, Mechanical Shaft	S32015
800A	Capscrew, 3/8 - 16 x 1" (8 Req.)	S26826
800B	Capscrew, 1/2 - 13 x 1" (4 Req.)	S26912
805	Washer, Lock	S23038
810A	Plug, Pipe 1/4" NPT (4 Req.)	S23715
810B	Plug, Pipe 1/2" NPT	S23717
815	Ring, Retaining	S16767
•	Plug, Pipe 1/8" NPT (In Bracket)	S23714

• Not illustrated.

Table II

HP	PH	Bracket No.	"AK" Fit	"U" Dim.	Motor Frame
15	3	L04615	8-1/2"	1-1/4"	254JM

**NOTE 1:** For an explanation of the tabulated material found on this page and for impeller key location, refer to **Supplement A** located at the beginning of this section.

**NOTE 2:** For seal flush line details, see **Supplement D**.



# BERKELEY® B3ZPMS Silicon Bronze Impeller

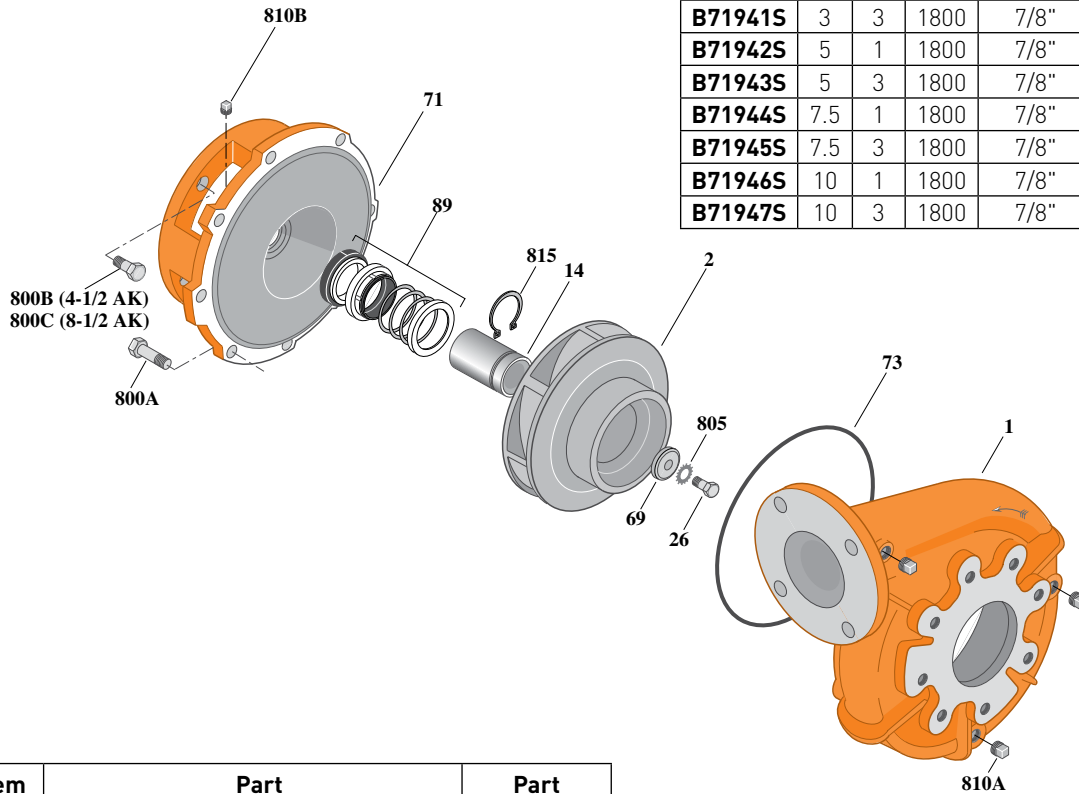
Flanged Case, Mechanical Shaft Seal Construction

## ELECTRIC MOTOR DRIVE

Section	CC
Page	190.23
Date	March 4, 2013
Supersedes 07/01/11	

**Table I**

B/M No.	HP	PH	RPM	"U" Dim.	Imp. Dia.	Imp. No.
B71940S	3	1	1800	7/8"	6.06"	H05480
B71941S	3	3	1800	7/8"	6.06"	H05480
B71942S	5	1	1800	7/8"	7.00"	H05481
B71943S	5	3	1800	7/8"	7.00"	H05481
B71944S	7.5	1	1800	7/8"	7.88"	H05482
B71945S	7.5	3	1800	7/8"	7.88"	H05482
B71946S	10	1	1800	7/8"	8.44"	H05483
B71947S	10	3	1800	7/8"	8.44"	H05483



Item No.	Part Description	Part Number
1	Case, Volute	H05130
2	Impeller	See Table I
14	Sleeve, Shaft	S19310L
26	Screw, Impeller 3/8 - 16 x 1"	S23566
32	Key, 3/16 x 1-1/4" [See Note 1]	S34383
69	Washer, Impeller	S06314
71	Bracket	See Table II
73	O-Ring [See Note 3]	M14943
89	Seal, Mechanical Shaft	S32014
800A	Capscrew, 3/8 - 16 x 1" [8 Req.]	S26826
800B	Capscrew, 3/8 - 16 x 1" [4 Req.]	S26826
800C	Capscrew, 1/2 - 13 x 1" [4 Req.]	S26912
805	Washer, Lock	S23036
810A	Plug, Pipe 1/4" NPT [3 Req.]	S23715
810B	Plug, Pipe 1/8" NPT [In Bracket]	S23714
815	Ring, Retaining	S11207

• Not illustrated.

**Table II**

HP	PH	Bracket No.	"AK" Fit	"U" Dim.	Motor Frame
3	1	L05332	4-1/2"	7/8"	184JM
3	3	L05332	4-1/2"	7/8"	182JM
5	1	L05331	8-1/2"	7/8"	213JM
5	3	L05332	4-1/2"	7/8"	184JM
7.5	1	L05331	8-1/2"	7/8"	215JM
7.5	3	L05331	8-1/2"	7/8"	213JM
10	1	L05331	8-1/2"	7/8"	215JM
10	3	L05331	8-1/2"	7/8"	215JM

**NOTE 1:** For an explanation of the tabulated material found on this page and for impeller key location, refer to **Supplement A** located at the beginning of this section.

**NOTE 2:** For seal flush line details, see **Supplement D**.

**NOTE 3:** Also accepts gasket **S05126** as replacement for O-Ring. See **Supplement E** located at the beginning of this section.



# BERKELEY® B3ZPMS Silicon Bronze Impeller

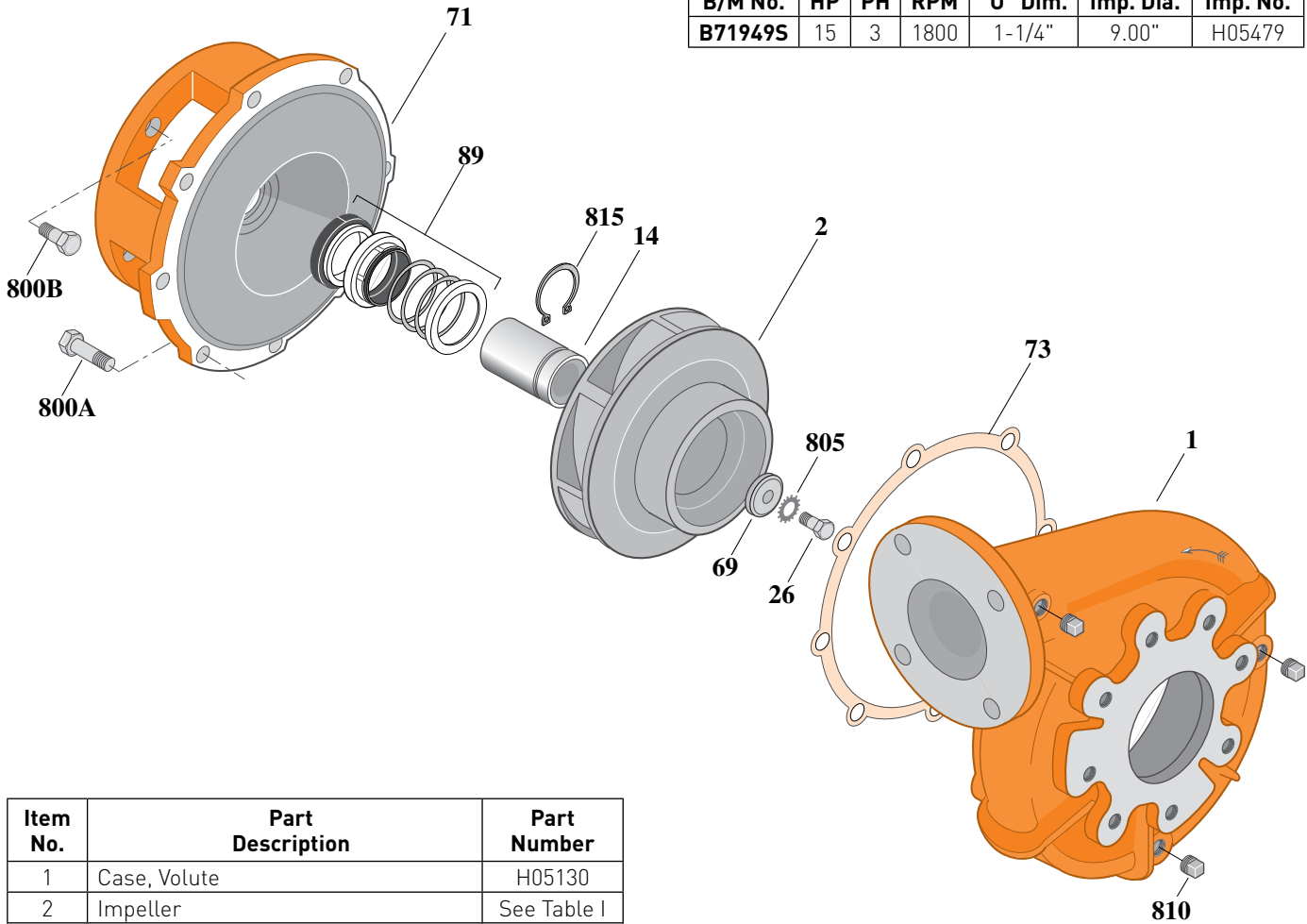
Flanged Case, Mechanical Shaft Seal Construction

## ELECTRIC MOTOR DRIVE

Section	CC
Page	190.24
Date	March 4, 2013
Supersedes 09/01/97	

**Table I**

B/M No.	HP	PH	RPM	"U" Dim.	Imp. Dia.	Imp. No.
B71949S	15	3	1800	1-1/4"	9.00"	H05479



1614 0195

Item No.	Part Description	Part Number
1	Case, Volute	H05130
2	Impeller	See Table I
14	Sleeve, Shaft	S18869
26	Screw, Impeller 1/2 - 13 x 1"	S23619
32	Key, 1/4 x 2-1/4" (See Note)	S23677
69	Washer, Impeller	S06319
71	Bracket	See Table II
73	Gasket, Volute	S05126
89	Seal, Mechanical Shaft	S32015
800A	Capscrew, 3/8 - 16 x 1" (8 Req.)	S26826
800B	Capscrew, 1/2 - 13 x 1" (4 Req.)	S26912
805	Washer, Lock	S23038
810	Plug, Pipe 1/4" NPT (3 Req.)	S23715
815	Ring, Retaining	S16767
•	Plug, Pipe 1/8" NPT (In Bracket)	S23714

• Not illustrated.

**Table II**

HP	PH	Bracket No.	"AK" Fit	"U" Dim.	Motor Frame
15	3	L04615	8-1/2"	1-1/4"	254JM

**NOTE 1:** For an explanation of the tabulated material found on this page and for impeller key location, refer to **Supplement A** located at the beginning of this section.

**NOTE 2:** For seal flush line details, see **Supplement D**.

