

BERKELEY® B3TRKS

BEARING FRAME MOUNT SELF PRIME

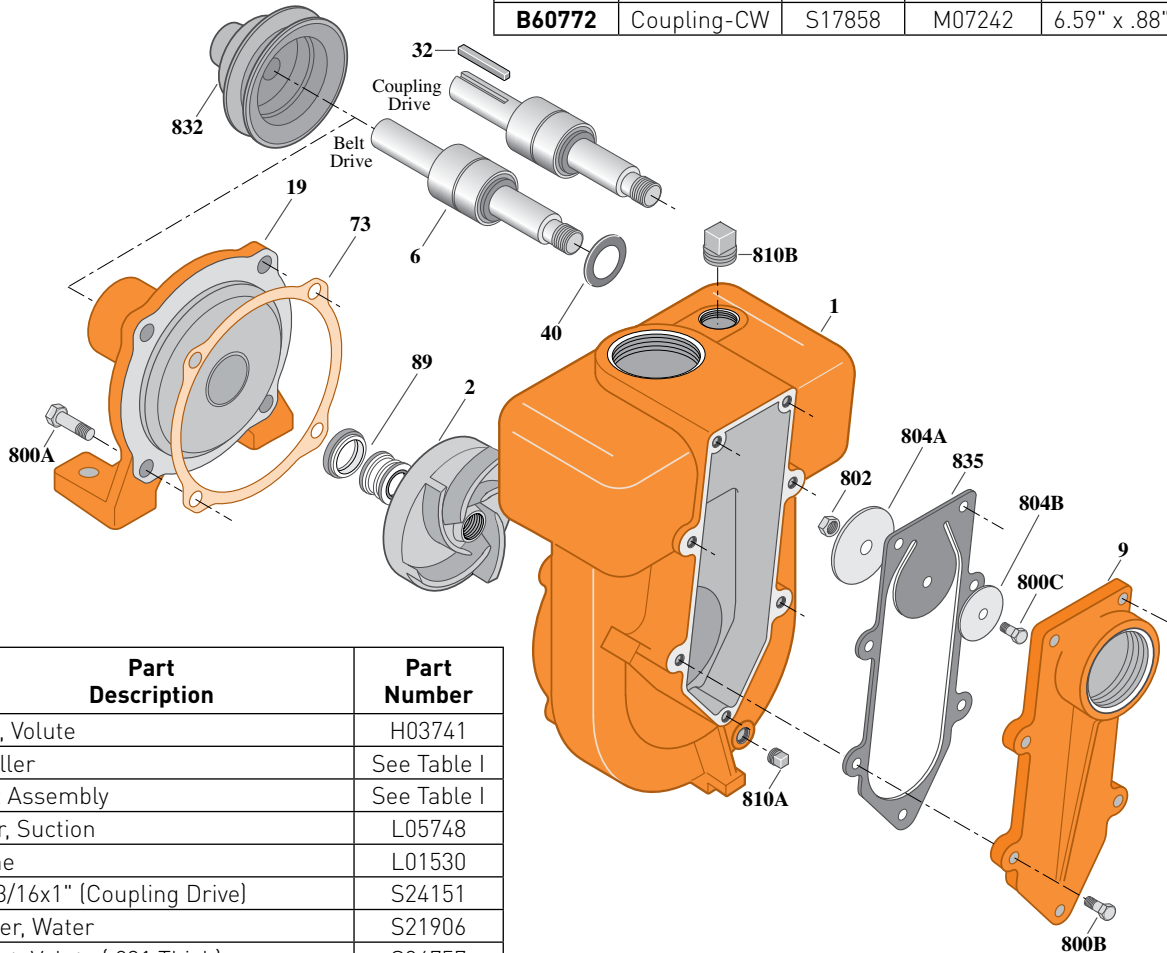
Cast Iron Impeller

Threaded Case (NPT), Mechanical Seal Construction

Section	FM/SP
Page	30.1
Date	March 4, 2013
Supersedes 01/01/04	

Table I

B/M No.	Drive Type	Shaft Assy. No.	Impeller	Impeller Size
B60771	Belt-CW	S06402	M07242	6.59" x .88" BA
B60772	Coupling-CW	S17858	M07242	6.59" x .88" BA



Item No.	Part Description	Part Number
1	Case, Volute	H03741
2	Impeller	See Table I
6	Shaft Assembly	See Table I
9	Cover, Suction	L05748
19	Frame	L01530
32	Key, 3/16x1" (Coupling Drive)	S24151
40	Slinger, Water	S21906
73	Gasket, Volute (.031 Thick)	S04757
73	Gasket, Volute (.051 Thick)	S15049
89	Seal, Mechanical Shaft	S06405
800A	Capscrew, Hex 1/2-13x1" (4 Req.)	S26912
800B	Capscrew, Hex 3/8-16x1-1/4" (7 Req.)	S26828
800C	Capscrew, Hex 3/8-16x3/4"	S26824
802	Nut, Hex 3/8-16	S23103
804A	Weight, Clack 4-1/8" O.D.	S15325
804B	Weight, Clack 3" O.D.	S14843
810A	Plug, Pipe 1/4" NPT	S23715
810B	Plug, Pipe 1-1/4" NPT	S23694
832	Sheave (Belt Drive)	S06407
835	Gasket, Clack	L05749

