

BERKELEY® B3TQKLS-9

AIR COOLED ENGINE DRIVE SELF PRIME

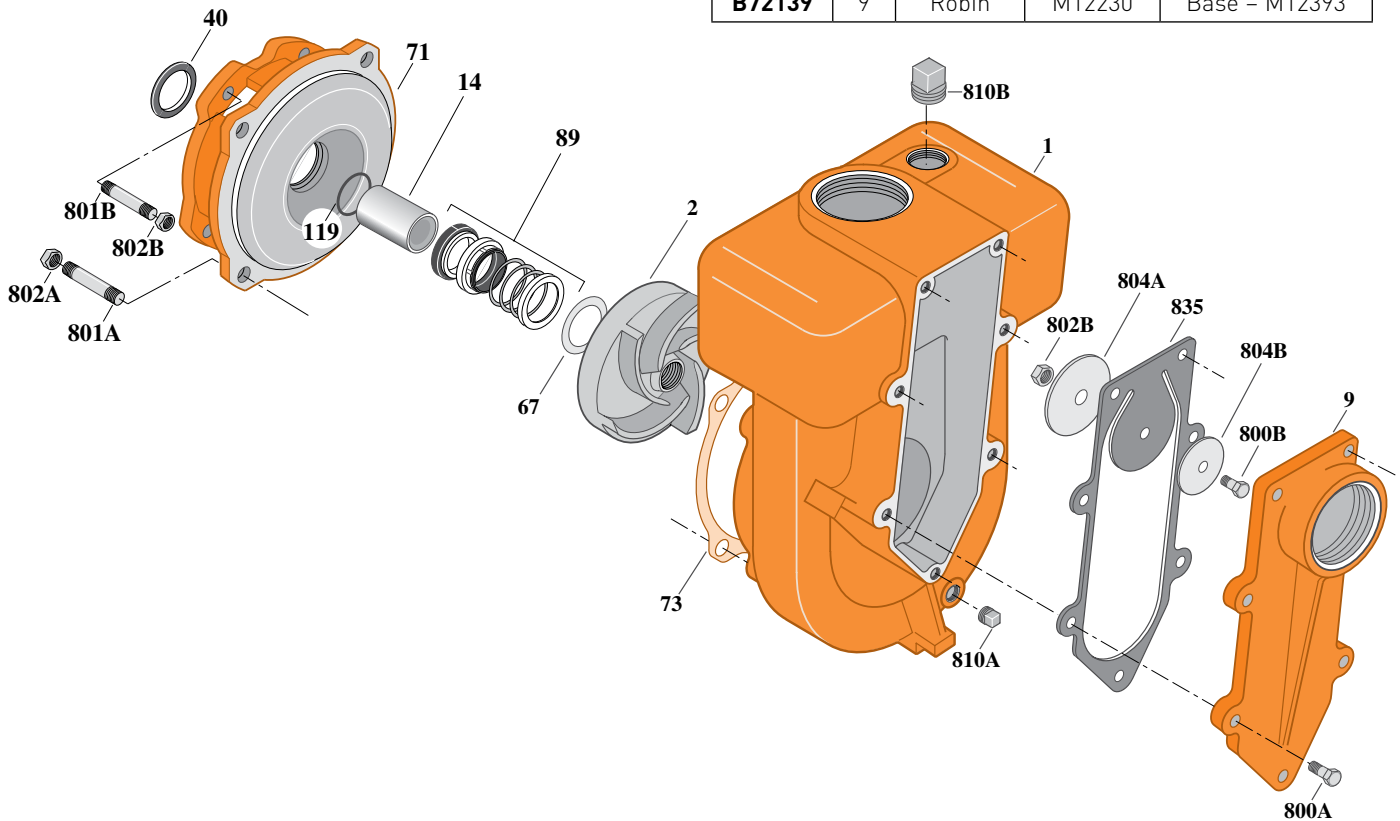
Cast Iron Impeller

Threaded Case (NPT), Mechanical Seal Construction

Section	AC/SP
Page	100.1
Date	March 4, 2013
Supersedes 01/01/04	

Table I

B/M No.	HP	Engine Mfr.	Engine Part No.	Mounting Type & Part No.
B72139	9	Robin	M12230	Base - M12393



Item No.	Part Description	Part Number
1	Case, Volute	H03741
2	Impeller	M10732
9	Cover, Suction	L05748
14	Sleeve, Shaft	M10731
40	Slinger, Water	S03893
67	Shim (.015 Thick) (As Required)	S15335
71	Bracket	L01600
73	Gasket, Case (.031 Thick)	S04757
73	Gasket, Case (.051 Thick)	S15049
89	Seal, Mechanical Shaft	S32014
119	O-Ring	M10728
800A	Capscrew, Hex 3/8-16x1-1/4" (7 Req.)	S26828
800B	Capscrew, Hex 3/8-16x3/4"	S26824
801A	Stud, 1/2-13x1-1/2" (4 Req.)	S24043

Item No.	Part Description	Part Number
801B	Stud, 3/8-16x1-1/2" (4 Req.)	S23995
802A	Nut, Hex 1/2-13 (4 Req.)	S23107
802B	Nut, Hex 3/8-16 (5 Req.)	S23103
804A	Weight, Clack	S15325
804B	Washer, Clack	S14843
810A	Plug, Pipe 1/4" NPT	S23715
810B	Plug, Pipe 1-1/4" NPT	S23694
835	Clack, Rubber	L05749

NOTE: Refer to **Supplement A** for base configuration and mounting hardware.

