

BERKELEY® B3TQKLS-8

AIR COOLED ENGINE DRIVE SELF PRIME

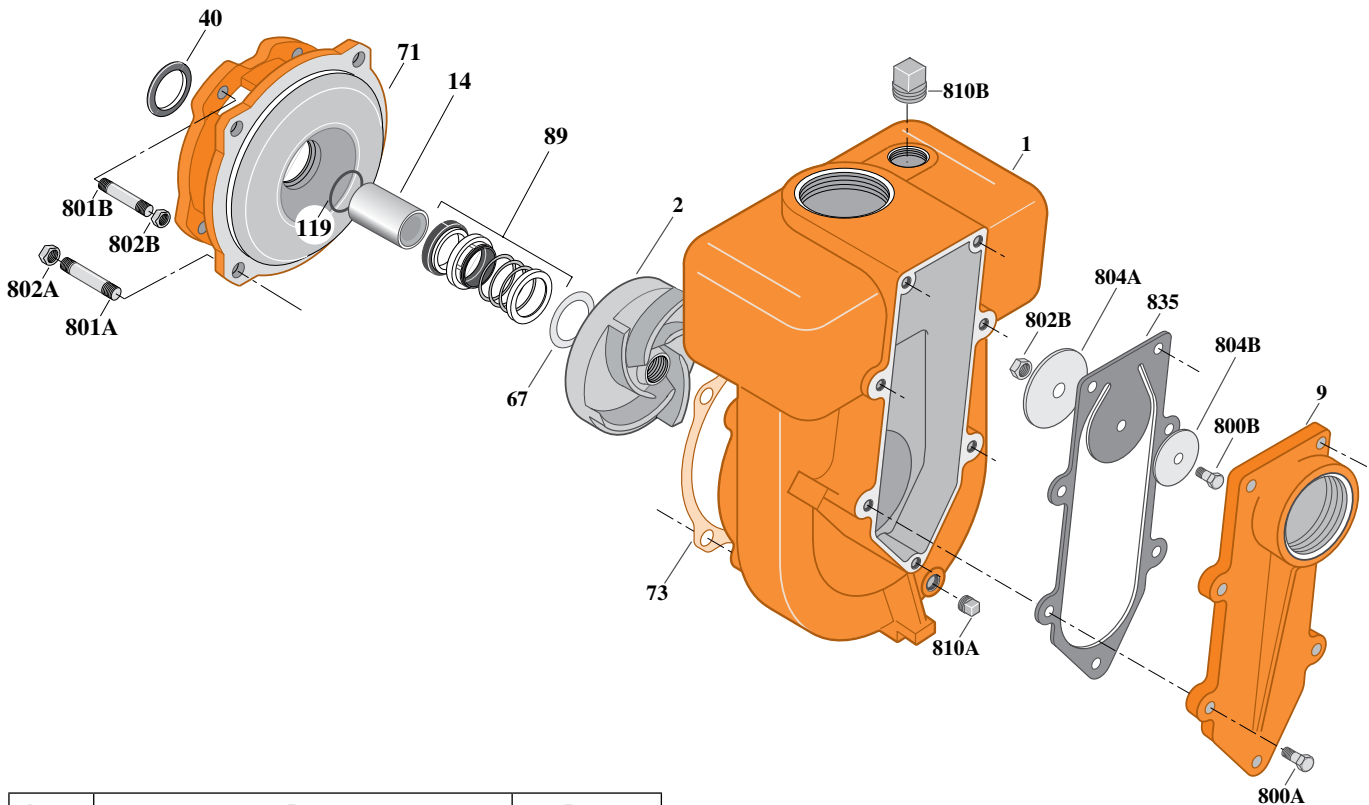
Cast Iron Impeller

Threaded Case (NPT), Mechanical Seal Construction

| | |
|---------------------|---------------|
| Section | AC/SP |
| Page | 90.1 |
| Date | March 4, 2013 |
| Supersedes 04/01/96 | |

Table I

| B/M No. | HP | Engine Mfr. | Engine Part No. | Mounting Type & Part No. |
|---------------|----|-------------------|-----------------|--------------------------|
| B60773 | 8 | Briggs & Stratton | S30691 | Base - S37505 |



2250 0196

| Item No. | Part Description | Part Number |
|----------|--------------------------------------|-------------|
| 1 | Case, Volute | H03741 |
| 2 | Impeller | M07241 |
| 9 | Cover, Suction | L05748 |
| 14 | Sleeve, Shaft | M10731 |
| 40 | Slinger, Water | S03893 |
| 67 | Shim (.015 Thick) (As Required) | S05067 |
| 71 | Bracket | L01600 |
| 73 | Gasket, Case (.031 Thick) | S04757 |
| 73 | Gasket, Case (.051 Thick) | S15049 |
| 89 | Seal, Mechanical Shaft | S32014 |
| 119 | O-Ring | M10728 |
| 800A | Capscrew, Hex 3/8-16x1-1/4" (7 Req.) | S26828 |
| 800B | Capscrew, Hex 3/8-16x3/4" | S26824 |
| 801A | Stud, 1/2-13x1-1/2" (4 Req.) | S24043 |

| Item No. | Part Description | Part Number |
|----------|------------------------------|-------------|
| 801B | Stud, 3/8-16x1-1/2" (4 Req.) | S23995 |
| 802A | Nut, Hex 1/2-13 (4 Req.) | S23107 |
| 802B | Nut, Hex 3/8-16 | S23103 |
| 804A | Weight, Clack | S15325 |
| 804B | Washer, Clack | S14843 |
| 810A | Plug, Pipe 1/4" NPT | S23715 |
| 810B | Plug, Pipe 1-1/4" NPT | S23694 |
| 835 | Clack, Rubber | L05749 |

NOTE: Refer to **Supplement A** for base configuration and mounting hardware.

