

BERKELEY® B3TQKLS-11 AIR COOLED ENGINE DRIVE SELF PRIME

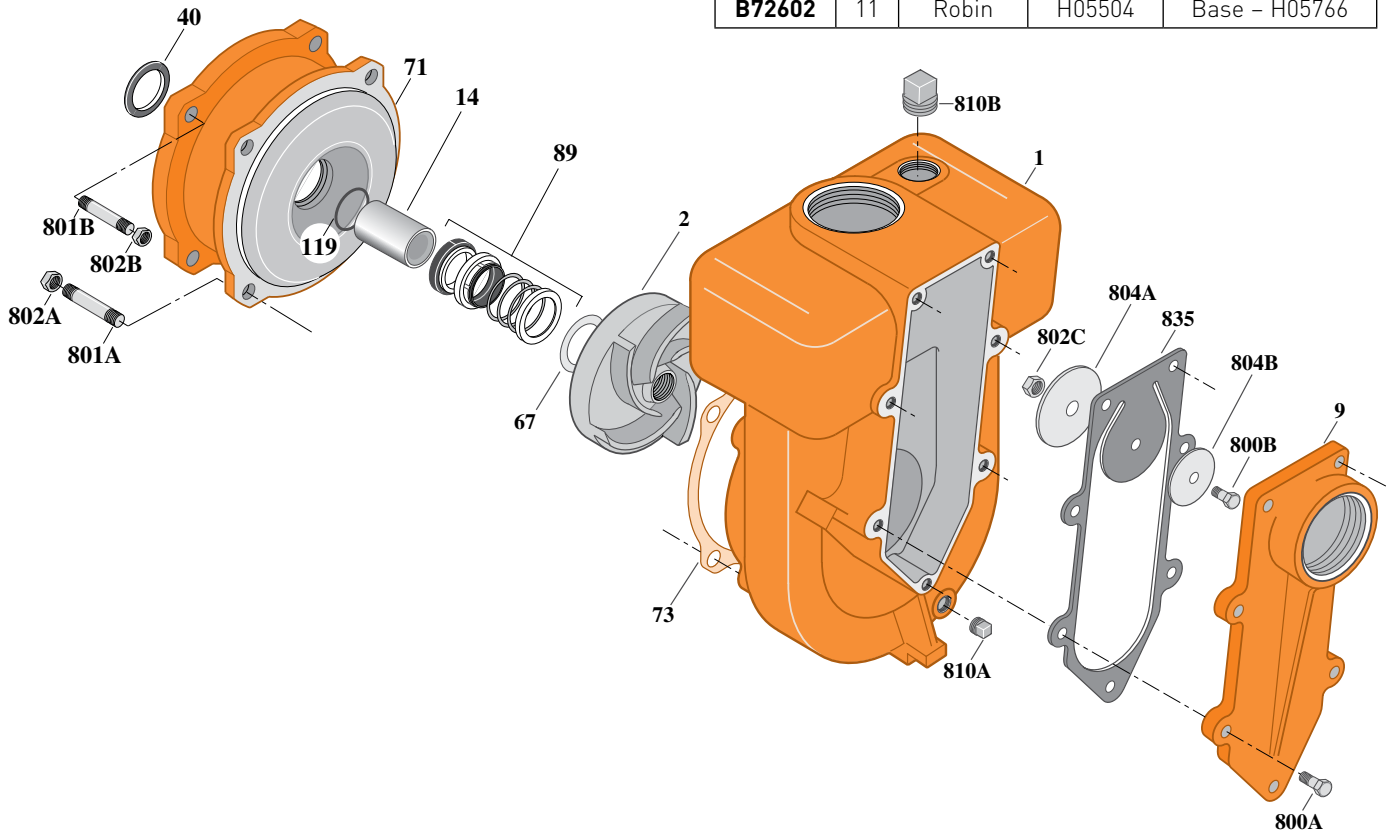
Cast Iron Impeller

Threaded Case (NPT), Mechanical Seal Construction

Section	AC/SP
Page	110.1
Date	March 4, 2013
Supersedes 01/01/04	

Table I

B/M No.	HP	Engine Mfr.	Engine Part No.	Mounting Type & Part No.
B72602	11	Robin	H05504	Base - H05766



Item No.	Part Description	Part Number
1	Case, Volute	H03741
2	Impeller	M10732
9	Cover, Suction	L05748
14	Sleeve, Shaft	M10731
40	Slinger, Water	S03893
67	Shim (.015 Thick) (As Required)	S15335
71	Bracket	L01600
73	Gasket, Case (.031 Thick)	S04757
73	Gasket, Case (.051 Thick)	S15049
89	Seal, Mechanical Shaft	S32014
119	O-Ring	M10728
800A	Capscrew, Hex 3/8-16x1-1/4" [7 Req.]	S26828
800B	Capscrew, Hex 3/8-16x3/4"	S26824
801A	Stud, 1/2-13x1-1/2" [4 Req.]	S24043

Item No.	Part Description	Part Number
801B	Stud, 3/8-16x1-1/2" [4 Req.]	S23995
802A	Nut, Hex 1/2-13 [4 Req.]	S23107
802B	Nut, Hex 3/8-16 [5 Req.]	S23103
804A	Weight, Clack	S15325
804B	Washer, Clack	S14843
810A	Plug, Pipe 1/4" NPT	S23715
810B	Plug, Pipe 1-1/4" NPT	S23694
835	Clack, Rubber	L05749

NOTE: Refer to **Supplement A** for base configuration and mounting hardware.



BERKELEY® B3TQKLS-10 AIR COOLED ENGINE DRIVE SELF PRIME

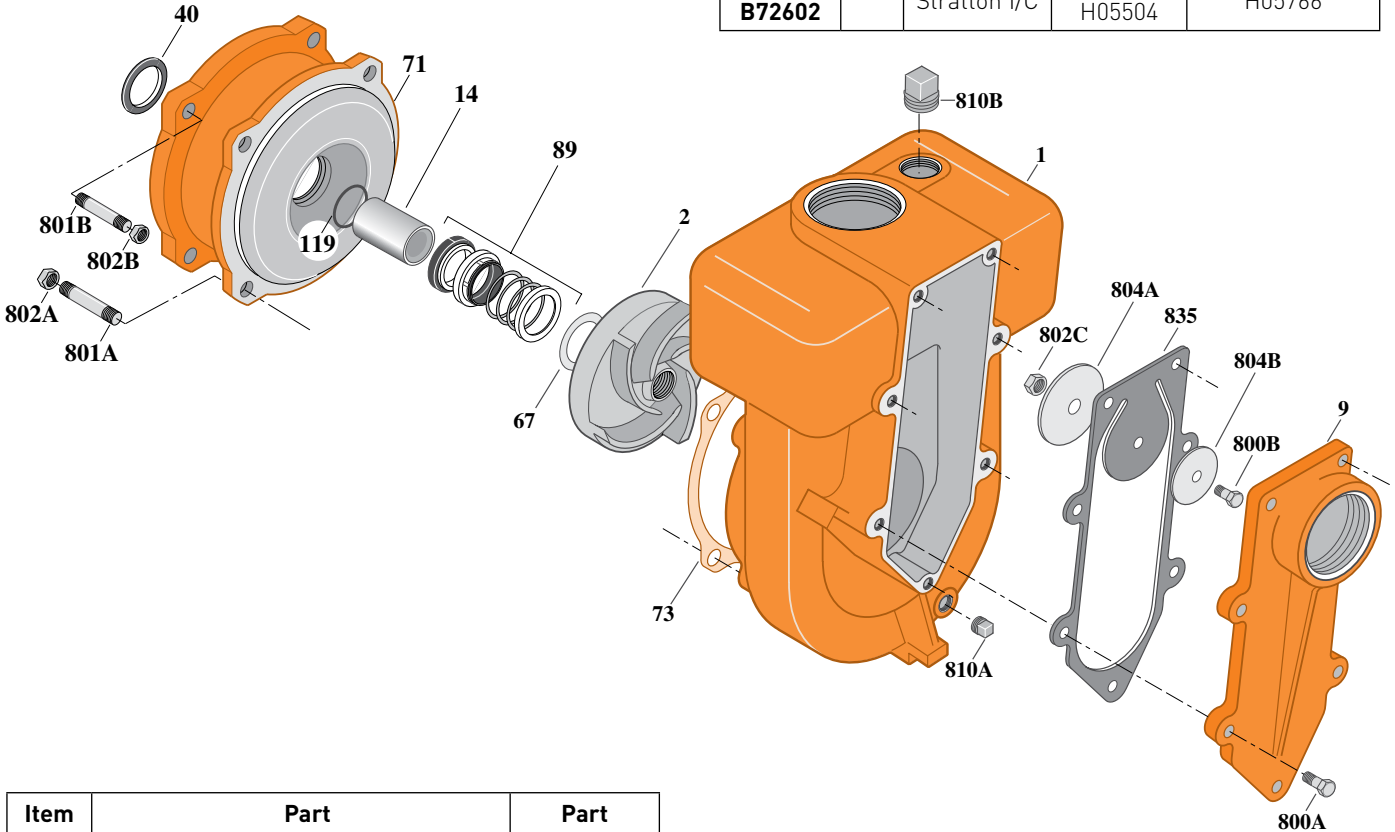
Silicon Bronze Impeller

Threaded Case (NPT), Mechanical Seal Construction

Section	AC/SP
Page	110.3
Date	March 4, 2013
Supersedes 01/01/04	

Table I

B/M No.	HP	Engine Mfr.	Engine Part No.	Mounting Type & Part No.
B72601	10	Briggs & Stratton I/C	H05503	Base H05766
B72602			H05504	



2251 0196

Item No.	Part Description	Part Number
1	Case, Volute	H03741
2	Impeller	M10835
9	Cover, Suction	L05748
14	Sleeve, Shaft	M10731
40	Slinger, Water	S03893
67	Shim (.015 Thick) (As Required)	S15335
71	Bracket	L01600
73	Gasket, Case (.031 Thick)	S04757
73	Gasket, Case (.051 Thick)	S15049
89	Seal, Mechanical Shaft	S32014
119	O-Ring	M10728
800A	Capscrew, Hex 3/8-16x1-1/4" [7 Req.]	S26828
800B	Capscrew, Hex 3/8-16x3/4"	S26824
801A	Stud, 1/2-13x1-1/2" [4 Req.]	S24043
801B	Stud, 7/16-14x2" [4 Req.]	S24004

Item No.	Part Description	Part Number
802A	Nut, Hex 1/2-13 [4 Req.]	S23107
802B	Nut, Hex 7/16-14 [4 Req.]	S23105
802C	Nut, Hex 3/8-16	S23103
804A	Weight, Clack	S15325
804B	Washer, Clack	S14843
810A	Plug, Pipe 1/4" NPT	S23715
810B	Plug, Pipe 1-1/4" NPT	S23694
835	Clack, Rubber	L05749

NOTE: Refer to **Supplement A** for base configuration and mounting hardware.



BERKELEY® B3TQKLS-10 AIR COOLED ENGINE DRIVE SELF PRIME

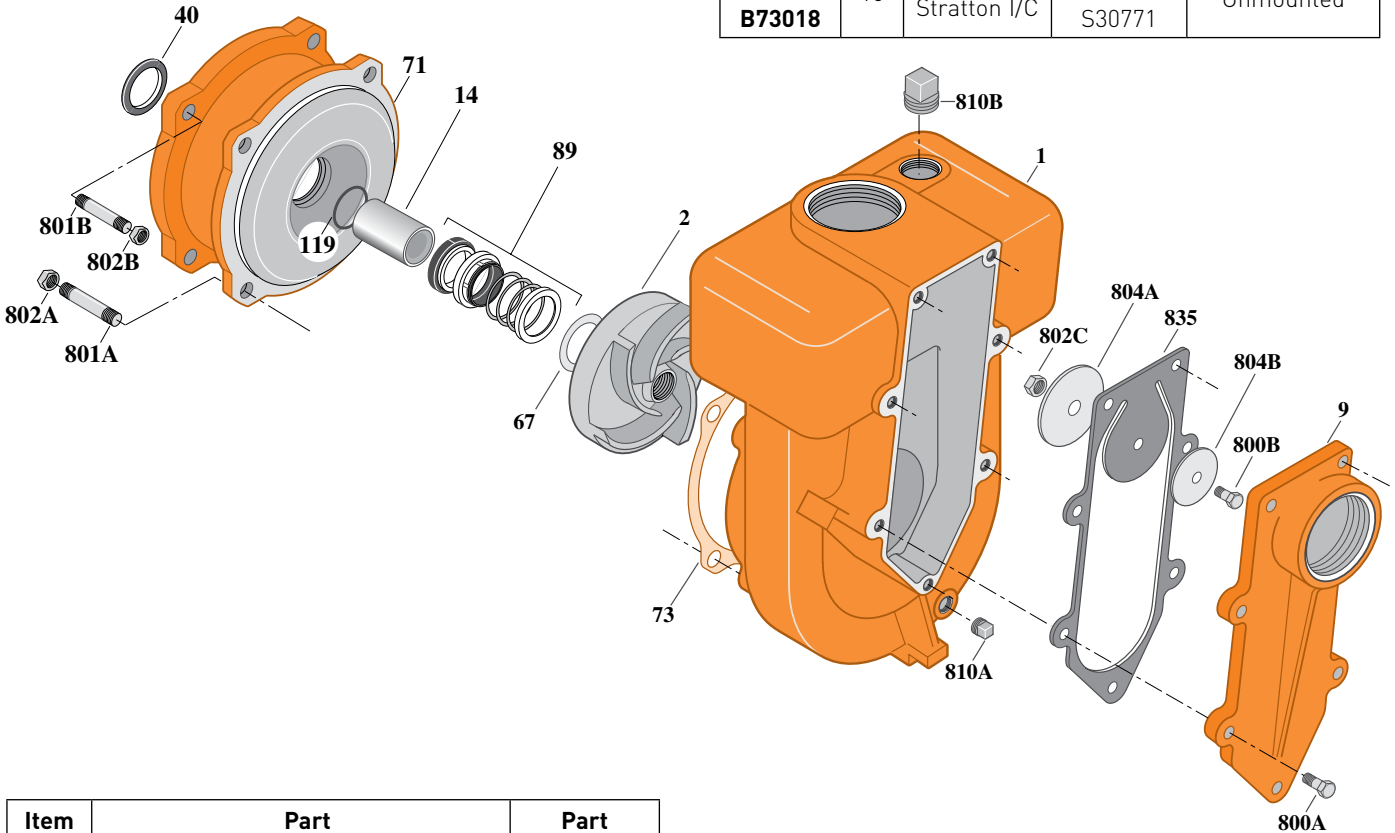
Silicon Bronze Impeller

Threaded Case (NPT), Mechanical Seal Construction

Section	AC/SP
Page	110.4
Date	March 4, 2013
Supersedes 01/01/04	

Table I

B/M No.	HP	Engine Mfr.	Engine Part No.	Mounting Type & Part No.
B73017	10	Briggs & Stratton I/C	H05503	Unmounted
B73018			S30771	



2251 0196

Item No.	Part Description	Part Number
1	Case, Volute	H03741
2	Impeller	M10835
9	Cover, Suction	L05748
14	Sleeve, Shaft	M10731
40	Slinger, Water	S03893
67	Shim (.015 Thick) (As Required)	S15335
71	Bracket	L01600
73	Gasket, Case (.031 Thick)	S04757
73	Gasket, Case (.051 Thick)	S15049
89	Seal, Mechanical Shaft	S32014
119	O-Ring	M10728
800A	Cap screw, Hex 3/8-16x1-1/4" [7 Req.]	S26828
800B	Cap screw, Hex 3/8-16x3/4"	S26824
801A	Stud, 1/2-13x1-1/2" [4 Req.]	S24043
801B	Stud, 7/16-14x2" [4 Req.]	S24004

Item No.	Part Description	Part Number
802A	Nut, Hex 1/2-13 [4 Req.]	S23107
802B	Nut, Hex 7/16-14 [4 Req.]	S23105
802C	Nut, Hex 3/8-16	S23103
804A	Weight, Clack	S15325
804B	Washer, Clack	S14843
810A	Plug, Pipe 1/4" NPT	S23715
810B	Plug, Pipe 1-1/4" NPT	S23694
835	Clack, Rubber	L05749

NOTE: Refer to **Supplement A** for base configuration and mounting hardware.

