

# BERKELEY® B3TPM

## Cast Iron Impeller

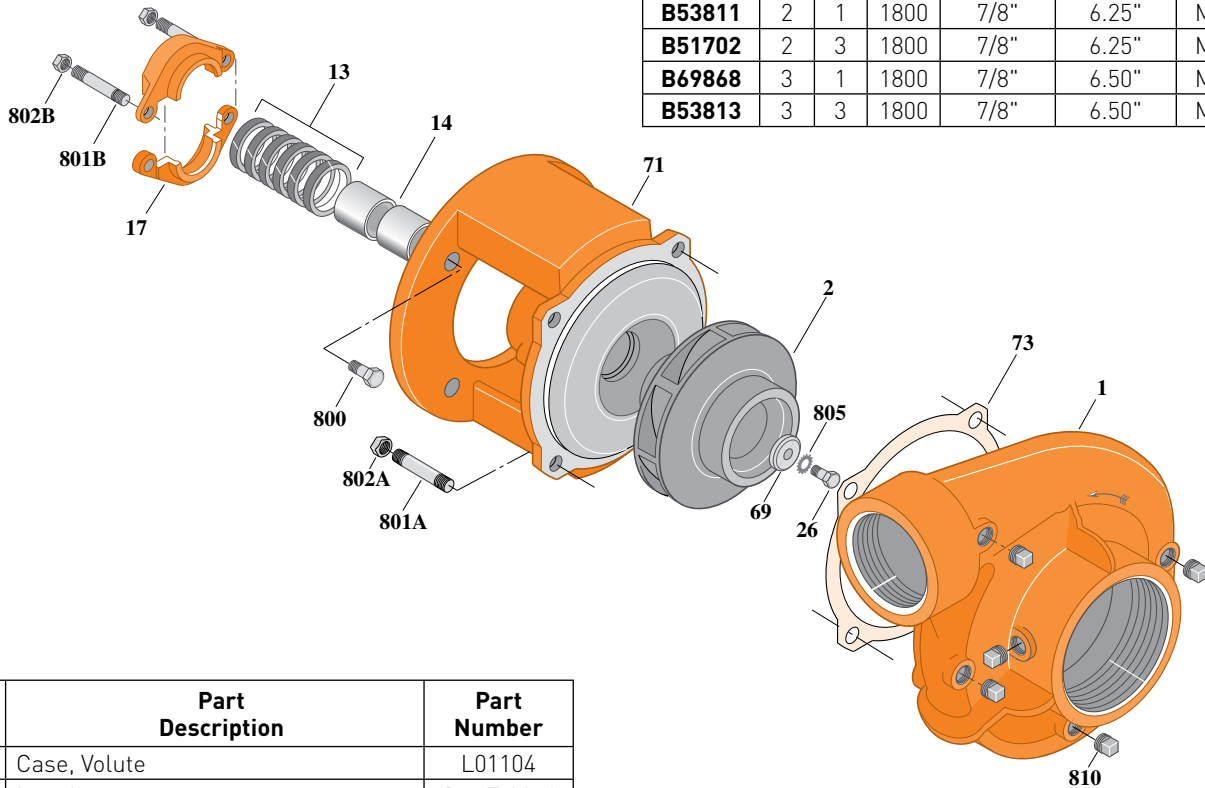
Threaded Case (NPT), Packing Construction

## ELECTRIC MOTOR DRIVE

|                     |               |
|---------------------|---------------|
| Section             | CC            |
| Page                | 160.1         |
| Date                | March 4, 2013 |
| Supersedes 01/01/04 |               |

**Table I**

| B/M No.       | HP  | PH | RPM  | "U" Dim. | Imp. Dia. | Imp. No. |
|---------------|-----|----|------|----------|-----------|----------|
| <b>B51696</b> | 1   | 1  | 1800 | 7/8"     | 5.12"     | M07652   |
| <b>B51700</b> | 1   | 3  | 1800 | 7/8"     | 5.12"     | M07652   |
| <b>B51697</b> | 1.5 | 1  | 1800 | 7/8"     | 5.75"     | M07653   |
| <b>B51701</b> | 1.5 | 3  | 1800 | 7/8"     | 5.75"     | M07653   |
| <b>B53811</b> | 2   | 1  | 1800 | 7/8"     | 6.25"     | M07654   |
| <b>B51702</b> | 2   | 3  | 1800 | 7/8"     | 6.25"     | M07654   |
| <b>B69868</b> | 3   | 1  | 1800 | 7/8"     | 6.50"     | M02959   |
| <b>B53813</b> | 3   | 3  | 1800 | 7/8"     | 6.50"     | M02959   |



| Item No. | Part Description                   | Part Number  |
|----------|------------------------------------|--------------|
| 1        | Case, Volute                       | L01104       |
| 2        | Impeller                           | See Table I  |
| 13       | Rings, Packing (Set of 6)          | S13469       |
| 14       | Sleeve, Shaft (2 Req.)             | S00619       |
| 17       | Gland, Packing                     | B82469       |
| 26       | Screw, Impeller 3/8 - 16 x 1"      | S23566       |
| 32       | Key, 3/16 x 1-1/4" (See Note)      | S34383       |
| 69       | Washer, Impeller                   | S06314       |
| 71       | Bracket                            | See Table II |
| 73       | Gasket, Volute                     | S04757       |
| 800      | Capscrew, 3/8 - 16 x 7/8" (4 Req.) | S26825       |
| 801A     | Stud, 1/2 - 13 x 1-1/2" (4 Req.)   | S24043       |
| 801B     | Stud, 3/8 - 16 x 4" (2 Req.)       | S08303       |
| 802A     | Nut, Hex 1/2 - 13 (4 Req.)         | S23107       |
| 802B     | Nut, Hex 3/8 - 16 (2 Req.)         | S23343       |
| 805      | Washer, Lock                       | S23706       |
| 810      | Plug, Pipe 1/4 NPT (5 Req.)        | S23715       |

**Table II**

| HP  | PH | Bracket No. | "AK" Fit | "U" Dim. | Motor Frame |
|-----|----|-------------|----------|----------|-------------|
| 1   | 1  | L01525      | 4-1/2"   | 7/8"     | 143JP       |
| 1   | 3  | L01525      | 4-1/2"   | 7/8"     | 143JP       |
| 1.5 | 1  | L01525      | 4-1/2"   | 7/8"     | 145JP       |
| 1.5 | 3  | L01525      | 4-1/2"   | 7/8"     | 145JP       |
| 2   | 1  | L01525      | 4-1/2"   | 7/8"     | 182JP       |
| 2   | 3  | L01525      | 4-1/2"   | 7/8"     | 145JP       |
| 3   | 1  | L01525      | 4-1/2"   | 7/8"     | 184JP       |
| 3   | 3  | L01525      | 4-1/2"   | 7/8"     | 182JP       |

**NOTE:** For an explanation of the tabulated material found on this page and for impeller key location, refer to **Supplement A** located at the beginning of this section.



# BERKELEY® B3TPM

## Cast Iron Impeller

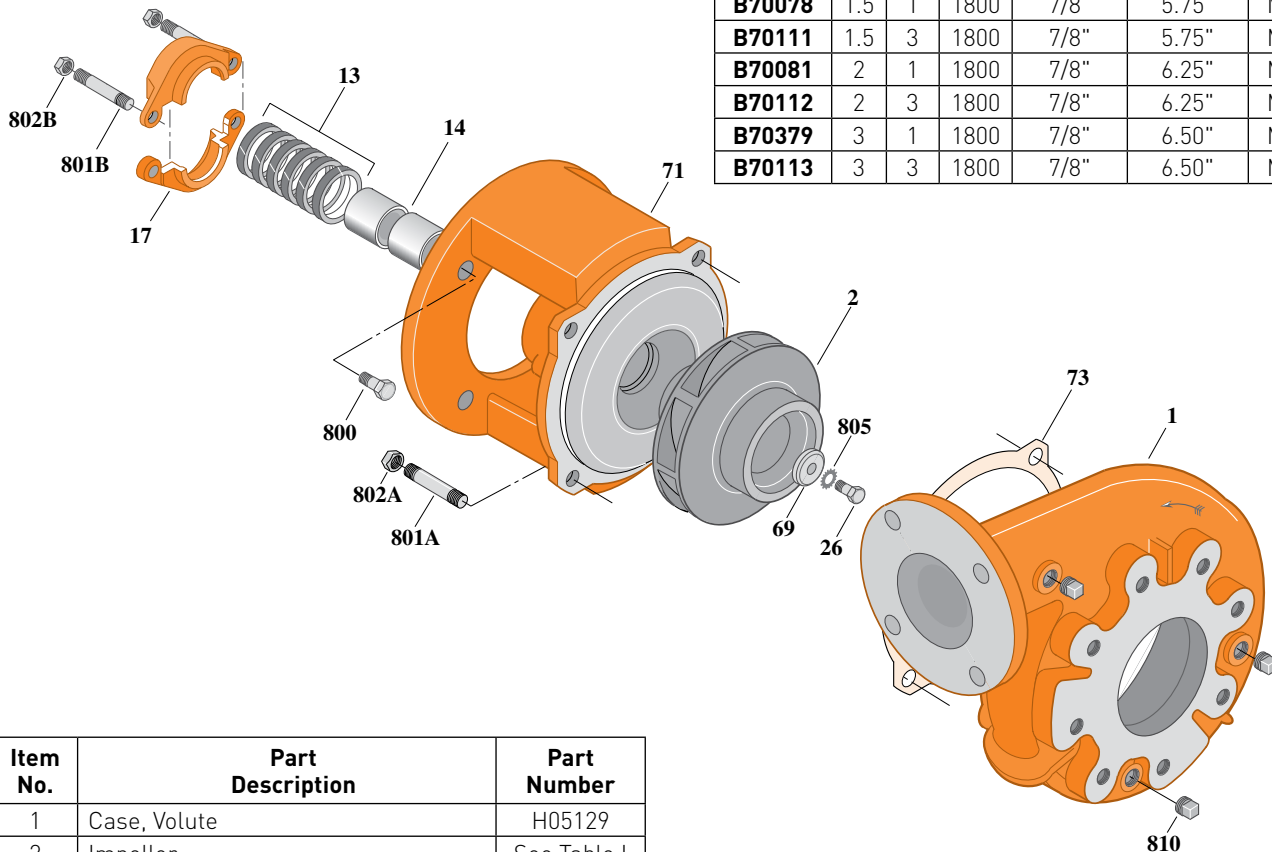
Flanged Case, Packing Construction

### ELECTRIC MOTOR DRIVE

|                     |               |
|---------------------|---------------|
| Section             | CC            |
| Page                | 160.2         |
| Date                | March 4, 2013 |
| Supersedes 01/01/04 |               |

**Table I**

| B/M No.       | HP  | PH | RPM  | "U" Dim. | Imp. Dia. | Imp. No. |
|---------------|-----|----|------|----------|-----------|----------|
| <b>B70074</b> | 1   | 1  | 1800 | 7/8"     | 5.12"     | M07652   |
| <b>B70110</b> | 1   | 3  | 1800 | 7/8"     | 5.12"     | M07652   |
| <b>B70078</b> | 1.5 | 1  | 1800 | 7/8"     | 5.75"     | M07653   |
| <b>B70111</b> | 1.5 | 3  | 1800 | 7/8"     | 5.75"     | M07653   |
| <b>B70081</b> | 2   | 1  | 1800 | 7/8"     | 6.25"     | M07654   |
| <b>B70112</b> | 2   | 3  | 1800 | 7/8"     | 6.25"     | M07654   |
| <b>B70379</b> | 3   | 1  | 1800 | 7/8"     | 6.50"     | M02959   |
| <b>B70113</b> | 3   | 3  | 1800 | 7/8"     | 6.50"     | M02959   |



1739 0495

| Item No. | Part Description                   | Part Number  |
|----------|------------------------------------|--------------|
| 1        | Case, Volute                       | H05129       |
| 2        | Impeller                           | See Table I  |
| 13       | Rings, Packing (Set of 6)          | S13469       |
| 14       | Sleeve, Shaft (2 Req.)             | S00619       |
| 17       | Gland, Packing                     | B82469       |
| 26       | Screw, Impeller 3/8 - 16 x 1"      | S23566       |
| 32       | Key, 3/16 x 1-1/4" (See Note)      | S34383       |
| 69       | Washer, Impeller                   | S06314       |
| 71       | Bracket                            | See Table II |
| 73       | Gasket, Volute                     | S04757       |
| 800      | Capscrew, 3/8 - 16 x 7/8" (4 Req.) | S26825       |
| 801A     | Stud, 1/2 - 13 x 1-1/2" (4 Req.)   | S24043       |
| 801B     | Stud, 3/8 - 16 x 4" (2 Req.)       | S08303       |
| 802A     | Nut, Hex 1/2 - 13 (4 Req.)         | S23107       |
| 802B     | Nut, Hex 3/8 - 16 (2 Req.)         | S23343       |
| 805      | Washer, Lock                       | S23036       |
| 810      | Plug, Pipe 1/4 NPT                 | S23715       |

**Table II**

| HP  | PH | Bracket No. | "AK" Fit | "U" Dim. | Motor Frame |
|-----|----|-------------|----------|----------|-------------|
| 1   | 1  | L01525      | 4-1/2"   | 7/8"     | 143JP       |
| 1   | 3  | L01525      | 4-1/2"   | 7/8"     | 143JP       |
| 1.5 | 1  | L01525      | 4-1/2"   | 7/8"     | 145JP       |
| 1.5 | 3  | L01525      | 4-1/2"   | 7/8"     | 145JP       |
| 2   | 1  | L01525      | 4-1/2"   | 7/8"     | 182JP       |
| 2   | 3  | L01525      | 4-1/2"   | 7/8"     | 145JP       |
| 3   | 1  | L01525      | 4-1/2"   | 7/8"     | 184JP       |
| 3   | 3  | L01525      | 4-1/2"   | 7/8"     | 182JP       |

**NOTE:** For an explanation of the tabulated material found on this page and for impeller key location, refer to **Supplement A** located at the beginning of this section.



# BERKELEY® B3TPM

## Cast Iron Impeller

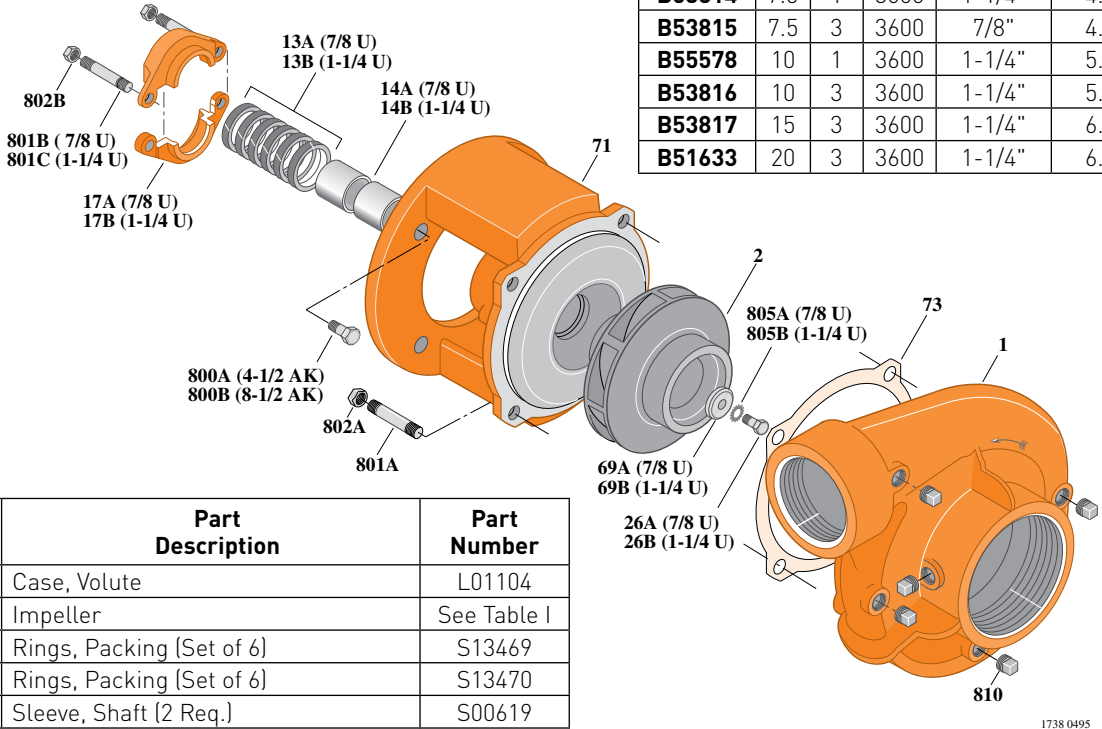
Threaded Case (NPT), Packing Construction

### ELECTRIC MOTOR DRIVE

|                     |               |
|---------------------|---------------|
| Section             | CC            |
| Page                | 160.3         |
| Date                | March 4, 2013 |
| Supersedes 01/01/04 |               |

**Table I**

| B/M No. | HP  | PH | RPM  | "U" Dim. | Imp. Dia. | Imp. No. |
|---------|-----|----|------|----------|-----------|----------|
| B53814  | 7.5 | 1  | 3600 | 1-1/4"   | 4.94"     | M07647   |
| B53815  | 7.5 | 3  | 3600 | 7/8"     | 4.94"     | M07651   |
| B55578  | 10  | 1  | 3600 | 1-1/4"   | 5.38"     | M07648   |
| B53816  | 10  | 3  | 3600 | 1-1/4"   | 5.38"     | M07648   |
| B53817  | 15  | 3  | 3600 | 1-1/4"   | 6.12"     | M07649   |
| B51633  | 20  | 3  | 3600 | 1-1/4"   | 6.50"     | M02960   |



1738 0495

| Item No. | Part Description                   | Part Number  |
|----------|------------------------------------|--------------|
| 1        | Case, Volute                       | L01104       |
| 2        | Impeller                           | See Table I  |
| 13A      | Rings, Packing [Set of 6]          | S13469       |
| 13B      | Rings, Packing [Set of 6]          | S13470       |
| 14A      | Sleeve, Shaft [2 Req.]             | S00619       |
| 14B      | Sleeve, Shaft                      | S05149       |
| 17A      | Gland, Packing                     | B82469       |
| 17B      | Gland, Packing                     | B82470       |
| 26A      | Screw, Impeller 3/8 - 16 x 1"      | S23566       |
| 26B      | Screw, Impeller 1/2 - 13 x 1"      | S23619       |
| 32A      | Key, 3/16 x 1-1/4" [See Note]      | S34383       |
| 32B      | Key, 1/4 x 2-1/4" [See Note]       | S23677       |
| 69A      | Washer, Impeller                   | S06314       |
| 69B      | Washer, Impeller                   | S06319       |
| 71       | Bracket                            | See Table II |
| 73       | Gasket, Volute                     | S04757       |
| 800A     | Capscrew, 3/8 - 16 x 7/8" [4 Req.] | S26825       |
| 800B     | Capscrew, 1/2 - 13 x 1" [4 Req.]   | S26912       |
| 801A     | Stud, 1/2 - 13 x 1-1/2" [4 Req.]   | S23043       |
| 801B     | Stud, 3/8 - 16 x 4" [2 Req.]       | S08303       |
| 801C     | Stud, 3/8 - 16 x 3-1/2" [2 Req.]   | S04441       |
| 802A     | Nut, Hex 1/2 - 13 [4 Req.]         | S23107       |
| 802B     | Nut, Hex 3/8 - 16 [2 Req.]         | S23343       |
| 805A     | Washer, Lock                       | S23036       |
| 805B     | Washer, Lock                       | S23038       |
| 810      | Plug, Pipe 1/4 NPT [5 Req.]        | S23715       |

**Table II**

| HP  | PH | Bracket No. | "AK" Fit | "U" Dim. | Motor Frame |
|-----|----|-------------|----------|----------|-------------|
| 7.5 | 1  | L01951      | 8-1/2"   | 1-1/4"   | 213JP       |
| 7.5 | 3  | L01525      | 4-1/2"   | 7/8"     | 184JP       |
| 10  | 1  | L01951      | 8-1/2"   | 1-1/4"   | 215JP       |
| 10  | 3  | L01951      | 8-1/2"   | 1-1/4"   | 213JP       |
| 15  | 3  | L01951      | 8-1/2"   | 1-1/4"   | 215JP       |
| 20  | 3  | L01951      | 8-1/2"   | 1-1/4"   | 254JP       |

**NOTE:** For an explanation of the tabulated material found on this page and for impeller key location, refer to **Supplement A** located at the beginning of this section.



# BERKELEY® B3TPM

## Cast Iron Impeller

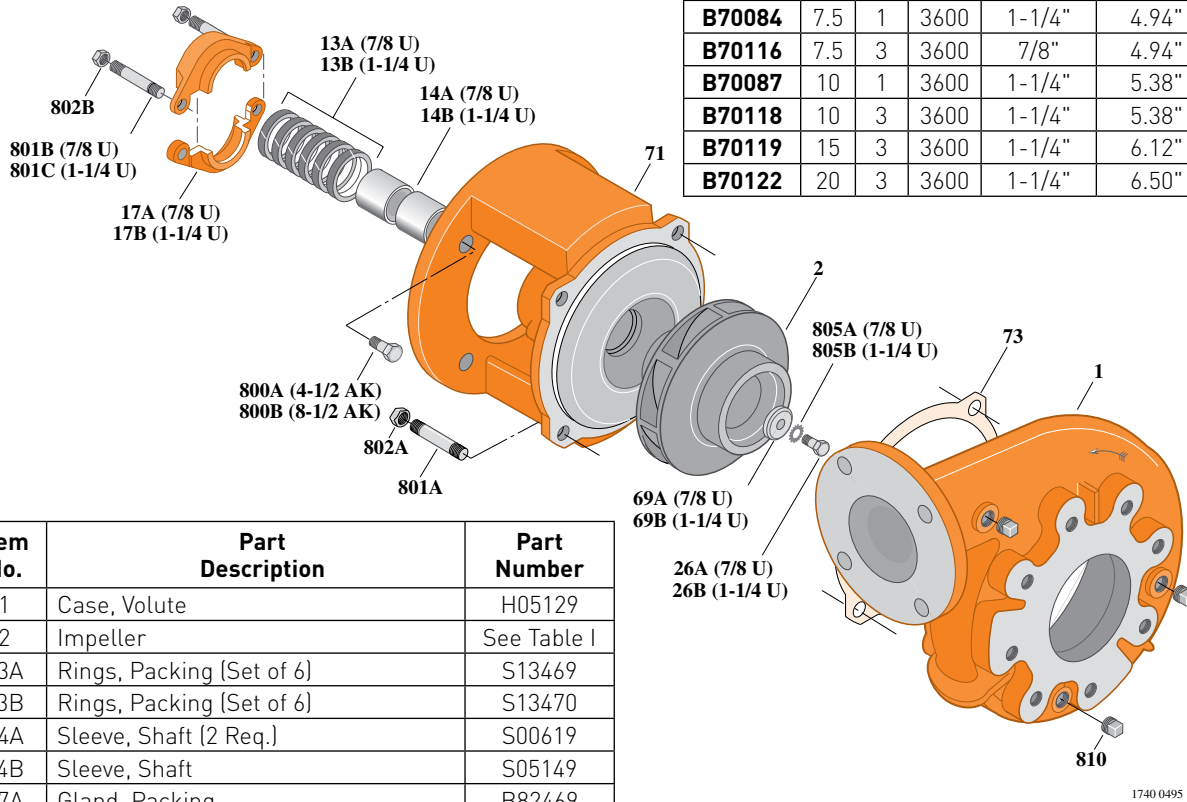
Flanged Case, Packing Construction

## ELECTRIC MOTOR DRIVE

|                     |               |
|---------------------|---------------|
| Section             | CC            |
| Page                | 160.4         |
| Date                | March 4, 2013 |
| Supersedes 01/01/04 |               |

Table I

| B/M No. | HP  | PH | RPM  | "U" Dim. | Imp. Dia. | Imp. No. |
|---------|-----|----|------|----------|-----------|----------|
| B70084  | 7.5 | 1  | 3600 | 1-1/4"   | 4.94"     | M07647   |
| B70116  | 7.5 | 3  | 3600 | 7/8"     | 4.94"     | M07651   |
| B70087  | 10  | 1  | 3600 | 1-1/4"   | 5.38"     | M07648   |
| B70118  | 10  | 3  | 3600 | 1-1/4"   | 5.38"     | M07648   |
| B70119  | 15  | 3  | 3600 | 1-1/4"   | 6.12"     | M07649   |
| B70122  | 20  | 3  | 3600 | 1-1/4"   | 6.50"     | M02960   |



| Item No. | Part Description                   | Part Number  |
|----------|------------------------------------|--------------|
| 1        | Case, Volute                       | H05129       |
| 2        | Impeller                           | See Table I  |
| 13A      | Rings, Packing [Set of 6]          | S13469       |
| 13B      | Rings, Packing [Set of 6]          | S13470       |
| 14A      | Sleeve, Shaft [2 Req.]             | S00619       |
| 14B      | Sleeve, Shaft                      | S05149       |
| 17A      | Gland, Packing                     | B82469       |
| 17B      | Gland, Packing                     | B82470       |
| 26A      | Screw, Impeller 3/8 - 16 x 1"      | S23566       |
| 26B      | Screw, Impeller 1/2 - 13 x 1"      | S23619       |
| 32A      | Key, 3/16 x 1-1/4" [See Note]      | S34383       |
| 32B      | Key, 1/4 x 2-1/4" [See Note]       | S23677       |
| 69A      | Washer, Impeller                   | S06314       |
| 69B      | Washer, Impeller                   | S06919       |
| 71       | Bracket                            | See Table II |
| 73       | Gasket, Volute                     | S04757       |
| 800A     | Capscrew, 3/8 - 16 x 7/8" [4 Req.] | S26825       |
| 800B     | Capscrew, 1/2 - 13 x 1" [4 Req.]   | S26912       |
| 801A     | Stud, 1/2 - 13 x 1-1/2" [4 Req.]   | S24043       |
| 801B     | Stud, 3/8 - 16 x 4" [2 Req.]       | S08303       |
| 801C     | Stud, 3/8 - 16 x 3-1/2" [2 Req.]   | S04441       |
| 802A     | Nut, Hex 1/2 - 13 [4 Req.]         | S23107       |
| 802B     | Nut, Hex 3/8 - 16 [2 Req.]         | S23343       |
| 805A     | Washer, Lock                       | S23036       |
| 805B     | Washer, Lock                       | S23038       |
| 810      | Plug, Pipe 1/4 NPT [5 Req.]        | S23715       |

Table II

| HP  | PH | Bracket No. | "AK" Fit | "U" Dim. | Motor Frame |
|-----|----|-------------|----------|----------|-------------|
| 7.5 | 1  | L01951      | 8-1/2"   | 1-1/4"   | 213JP       |
| 7.5 | 3  | L01525      | 4-1/2"   | 7/8"     | 184JP       |
| 10  | 1  | L01951      | 8-1/2"   | 1-1/4"   | 215JP       |
| 10  | 3  | L01951      | 8-1/2"   | 1-1/4"   | 213JP       |
| 15  | 3  | L01951      | 8-1/2"   | 1-1/4"   | 215JP       |
| 20  | 3  | L01951      | 8-1/2"   | 1-1/4"   | 254JP       |

**NOTE:** For an explanation of the tabulated material found on this page and for impeller key location, refer to **Supplement A** located at the beginning of this section.

# BERKELEY® B3TPMS

## Cast Iron Impeller

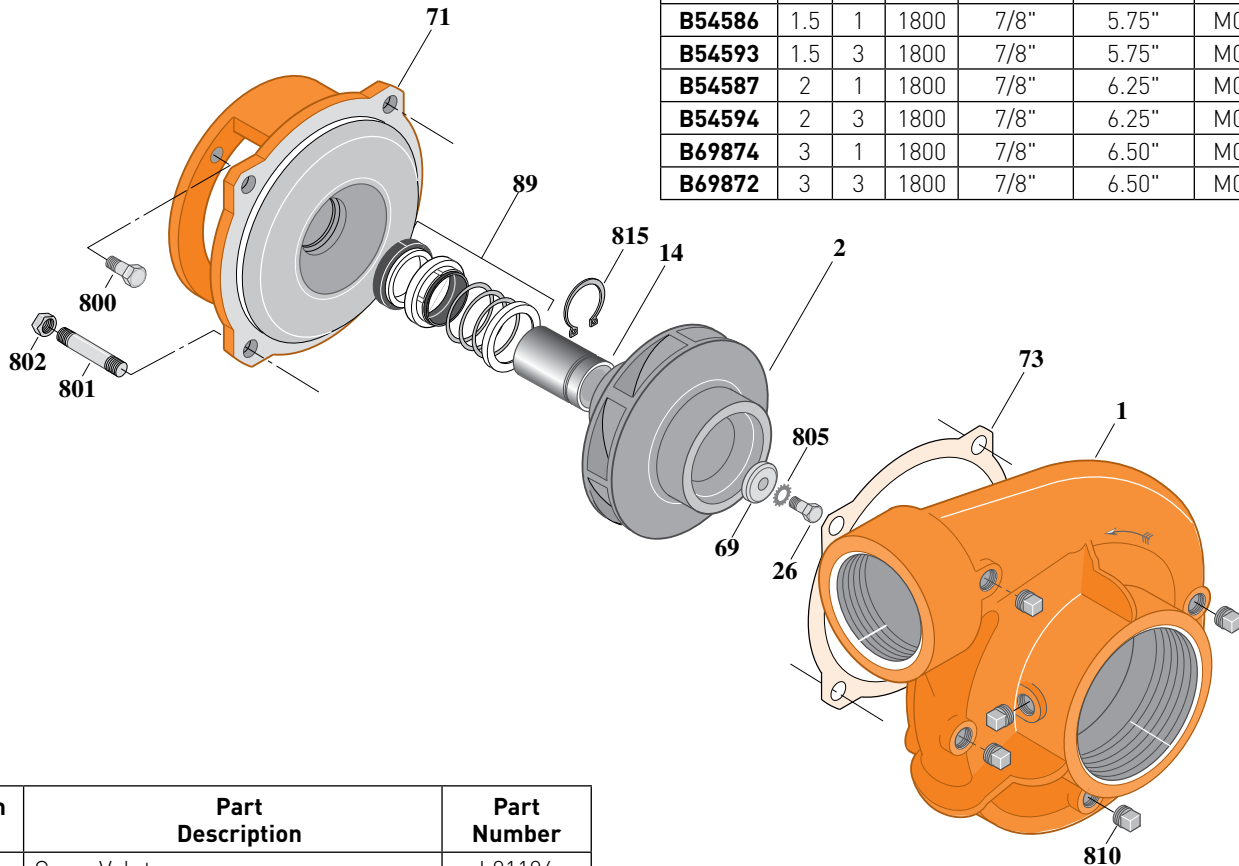
Threaded Case (NPT), Mechanical Shaft Seal Construction

## ELECTRIC MOTOR DRIVE

|                     |               |
|---------------------|---------------|
| Section             | CC            |
| Page                | 160.5         |
| Date                | March 4, 2013 |
| Supersedes 01/01/04 |               |

**Table I**

| B/M No. | HP  | PH | RPM  | "U" Dim. | Imp. Dia. | Imp. No. |
|---------|-----|----|------|----------|-----------|----------|
| B54585  | 1   | 1  | 1800 | 7/8"     | 5.12"     | M07652   |
| B54592  | 1   | 3  | 1800 | 7/8"     | 5.12"     | M07652   |
| B54586  | 1.5 | 1  | 1800 | 7/8"     | 5.75"     | M07653   |
| B54593  | 1.5 | 3  | 1800 | 7/8"     | 5.75"     | M07653   |
| B54587  | 2   | 1  | 1800 | 7/8"     | 6.25"     | M07654   |
| B54594  | 2   | 3  | 1800 | 7/8"     | 6.25"     | M07654   |
| B69874  | 3   | 1  | 1800 | 7/8"     | 6.50"     | M02959   |
| B69872  | 3   | 3  | 1800 | 7/8"     | 6.50"     | M02959   |



| Item No. | Part Description                                | Part Number  |
|----------|---|--------------|
| 1        | Case, Volute                                    | L01104       |
| 2        | Impeller  | See Table I  |
| 14       | Sleeve, Shaft                                   | S19310       |
| 26       | Screw, Impeller 3/8 - 16 x 1"                   | S23566       |
| 32       | Key, 3/16 x 1-1/4" (See Note)                   | S34383       |
| 69       | Washer, Impeller                                | S06314       |
| 71       | Bracket   | See Table II |
| 73       | Gasket, Volute                                  | S04757       |
| 89       | Seal, Mechanical Shaft                          | S32014       |
| 800      | Capscrew, 3/8 - 16 x 1" (4 Req.) (For 4-1/2 AK) | S26826       |
| 801      | Stud, 1/2 - 13 x 1-1/2" (4 Req.)                | S24043       |
| 802      | Nut, 1/2 - 13 (4 Req.)                          | S23107       |
| 805      | Washer, Lock                                    | S23036       |
| 810      | Plug, Pipe 1/4 NPT (5 Req.)                     | S23715       |
| 815      | Ring, Retaining                                 | S11207       |

**Table II**

| HP  | PH | Bracket No. | "AK" Fit | "U" Dim. | Motor Frame |
|-----|----|-------------|----------|----------|-------------|
| 1   | 1  | L05329      | 4-1/2"   | 7/8"     | 143JM       |
| 1   | 3  | L05329      | 4-1/2"   | 7/8"     | 143JM       |
| 1.5 | 1  | L05329      | 4-1/2"   | 7/8"     | 145JM       |
| 1.5 | 3  | L05329      | 4-1/2"   | 7/8"     | 145JM       |
| 2   | 1  | L05329      | 4-1/2"   | 7/8"     | 182JM       |
| 2   | 3  | L05329      | 4-1/2"   | 7/8"     | 145JM       |
| 3   | 1  | L05329      | 4-1/2"   | 7/8"     | 184JM       |
| 3   | 3  | L05329      | 4-1/2"   | 7/8"     | 182JM       |

**NOTE:** For an explanation of the tabulated material found on this page and for impeller key location, refer to **Supplement A** located at the beginning of this section.



# BERKELEY® B3TPMS

## Cast Iron Impeller

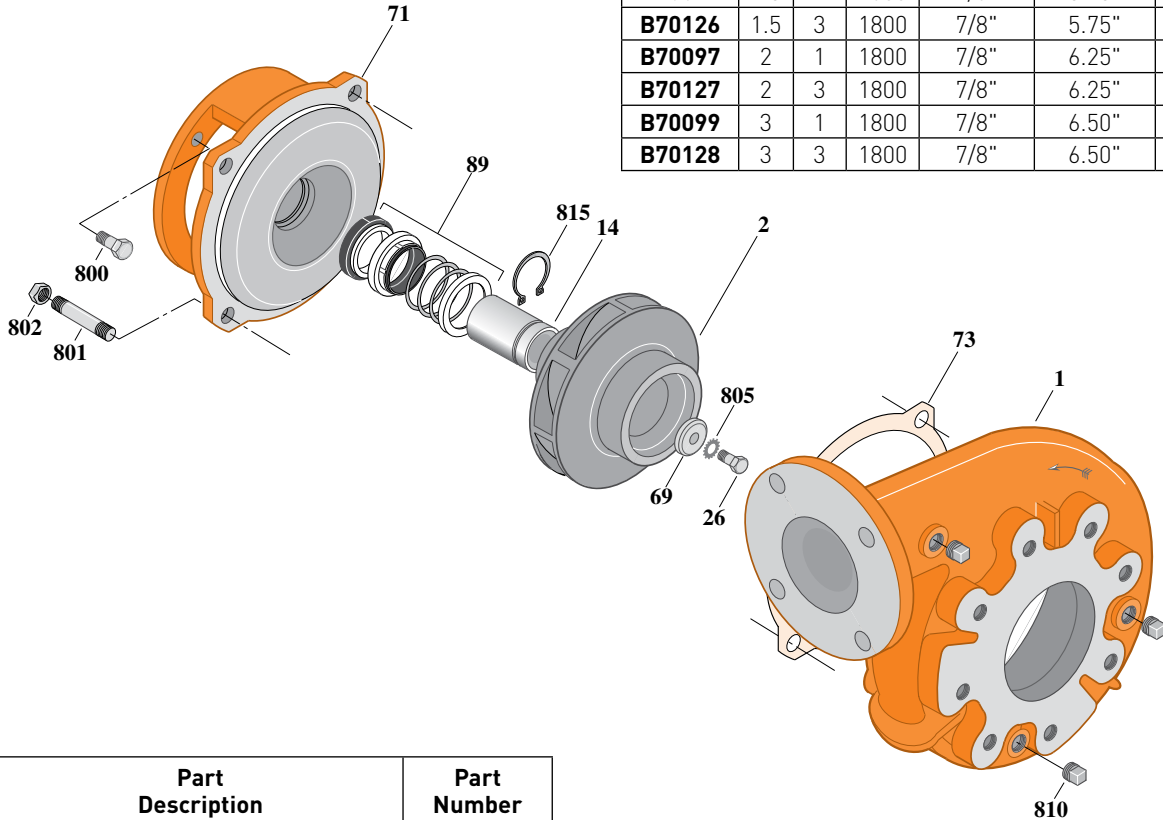
Flanged Case, Mechanical Shaft Seal Construction

## ELECTRIC MOTOR DRIVE

|                     |               |
|---------------------|---------------|
| Section             | CC            |
| Page                | 160.6         |
| Date                | March 4, 2013 |
| Supersedes 01/01/04 |               |

**Table I**

| B/M No. | HP  | PH | RPM  | "U" Dim. | Imp. Dia. | Imp. No. |
|---------|-----|----|------|----------|-----------|----------|
| B70090  | 1   | 1  | 1800 | 7/8"     | 5.12"     | M07652   |
| B70125  | 1   | 3  | 1800 | 7/8"     | 5.12"     | M07652   |
| B70092  | 1.5 | 1  | 1800 | 7/8"     | 5.75"     | M07653   |
| B70126  | 1.5 | 3  | 1800 | 7/8"     | 5.75"     | M07653   |
| B70097  | 2   | 1  | 1800 | 7/8"     | 6.25"     | M07654   |
| B70127  | 2   | 3  | 1800 | 7/8"     | 6.25"     | M07654   |
| B70099  | 3   | 1  | 1800 | 7/8"     | 6.50"     | M02959   |
| B70128  | 3   | 3  | 1800 | 7/8"     | 6.50"     | M02959   |



1482 0195

| Item No. | Part Description                                | Part Number  |
|----------|---|--------------|
| 1        | Case, Volute                                    | H05129       |
| 2        | Impeller  | See Table I  |
| 14       | Sleeve, Shaft                                   | S19310L      |
| 26       | Screw, Impeller 3/8 - 16 x 1"                   | S23566       |
| 32       | Key, 3/16 x 1-1/4" (See Note)                   | S34383       |
| 69       | Washer, Impeller                                | S06314       |
| 71       | Bracket   | See Table II |
| 73       | Gasket, Volute                                  | S04757       |
| 89       | Seal, Mechanical Shaft                          | S32014       |
| 800      | Capscrew, 3/8 - 16 x 1" [4 Req.] (For 4-1/2 AK) | S26826       |
| 801      | Stud, 1/2 - 13 x 1-1/2" [4 Req.]                | S24043       |
| 802      | Nut, 1/2 - 13 [4 Req.]                          | S23107       |
| 805      | Washer, Lock                                    | S23036       |
| 810      | Plug, Pipe 1/4 NPT [5 Req.]                     | S23715       |
| 815      | Ring, Retaining                                 | S11207       |

**Table II**

| HP  | PH | Bracket No. | "AK" Fit | "U" Dim. | Motor Frame |
|-----|----|-------------|----------|----------|-------------|
| 1   | 1  | L05329      | 4-1/2"   | 7/8"     | 143JM       |
| 1   | 3  | L05329      | 4-1/2"   | 7/8"     | 143JM       |
| 1.5 | 1  | L05329      | 4-1/2"   | 7/8"     | 145JM       |
| 1.5 | 3  | L05329      | 4-1/2"   | 7/8"     | 145JM       |
| 2   | 1  | L05329      | 4-1/2"   | 7/8"     | 182JM       |
| 2   | 3  | L05329      | 4-1/2"   | 7/8"     | 145JM       |
| 3   | 1  | L05329      | 4-1/2"   | 7/8"     | 184JM       |
| 3   | 3  | L05329      | 4-1/2"   | 7/8"     | 182JM       |

**NOTE:** For an explanation of the tabulated material found on this page and for impeller key location, refer to **Supplement A** located at the beginning of this section.





# BERKELEY® B3TPMS

## Cast Iron Impeller

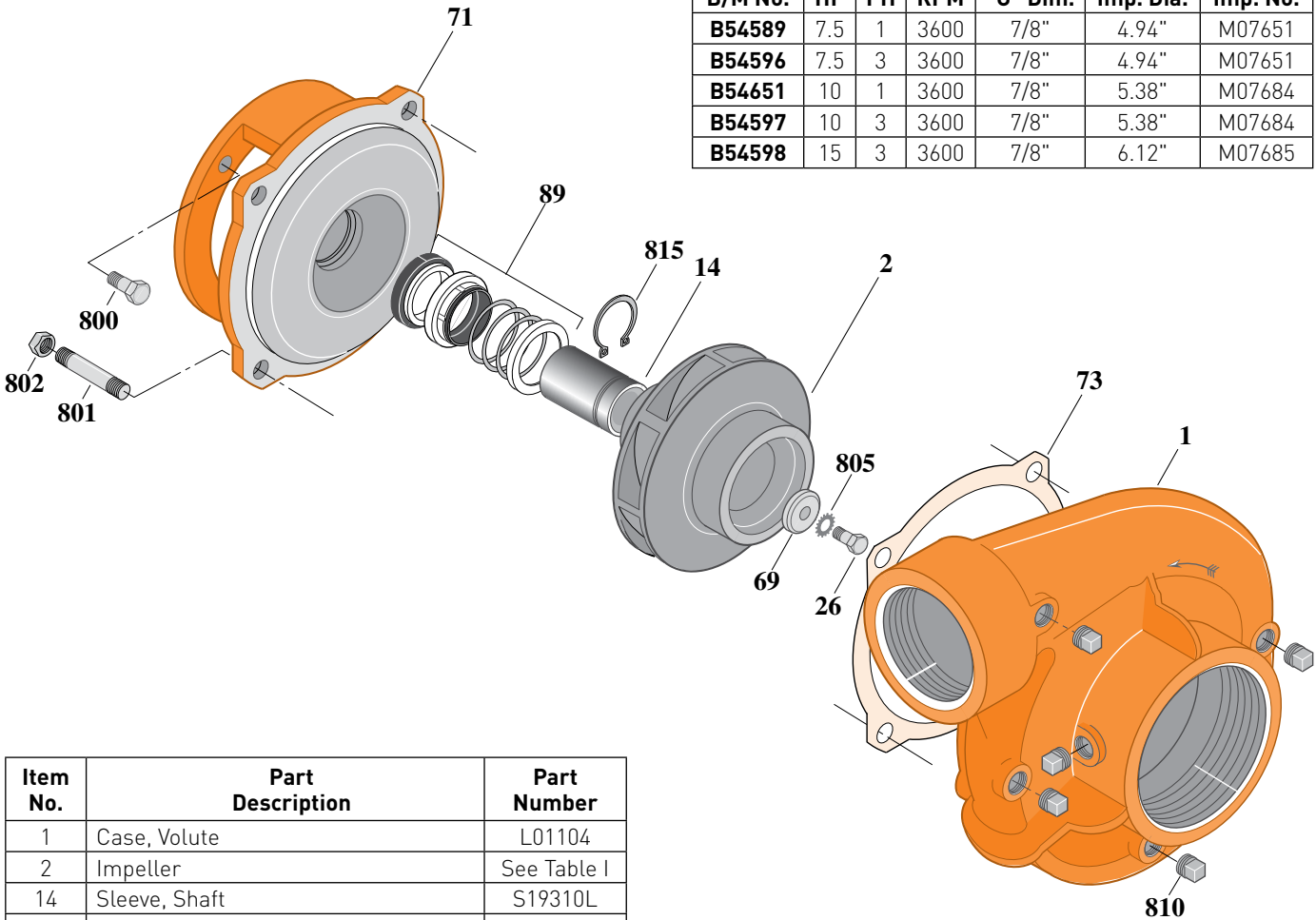
Threaded Case (NPT), Mechanical Shaft Seal Construction

## ELECTRIC MOTOR DRIVE

|                     |               |
|---------------------|---------------|
| Section             | CC            |
| Page                | 160.7         |
| Date                | March 4, 2013 |
| Supersedes 01/01/04 |               |

**Table I**

| B/M No. | HP  | PH | RPM  | "U" Dim. | Imp. Dia. | Imp. No. |
|---------|-----|----|------|----------|-----------|----------|
| B54589  | 7.5 | 1  | 3600 | 7/8"     | 4.94"     | M07651   |
| B54596  | 7.5 | 3  | 3600 | 7/8"     | 4.94"     | M07651   |
| B54651  | 10  | 1  | 3600 | 7/8"     | 5.38"     | M07684   |
| B54597  | 10  | 3  | 3600 | 7/8"     | 5.38"     | M07684   |
| B54598  | 15  | 3  | 3600 | 7/8"     | 6.12"     | M07685   |



1481 0195

| Item No. | Part Description                                   | Part Number  |
|----------|--|--------------|
| 1        | Case, Volute                                       | L01104       |
| 2        | Impeller   | See Table I  |
| 14       | Sleeve, Shaft                                      | S19310L      |
| 26       | Screw, Impeller 3/8 - 16 x 1"                      | S23566       |
| 32       | Key, 3/16 x 1-1/4" [See Note]                      | S34383       |
| 69       | Washer, Impeller                                   | S06314       |
| 71       | Bracket  | See Table II |
| 73       | Gasket, Volute                                     | S04757       |
| 89       | Seal, Mechanical Shaft                             | S32014       |
| 800      | Capscrew, 3/8 - 16 x 1" [4 Req.]<br>[For 4-1/2 AK] | S26826       |
| 800      | Capscrew, 1/2 - 13 x 1" [4 Req.]<br>[For 8-1/2 AK] | S26912       |
| 801      | Stud, 1/2 - 13 x 1-1/2" [4 Req.]                   | S24043       |
| 802      | Nut, 1/2 - 13 [4 Req.]                             | S23107       |
| 805      | Washer, Lock                                       | S23036       |
| 810      | Plug, Pipe 1/4 NPT [5 Req.]                        | S23715       |
| 815      | Ring, Retaining                                    | S11207       |

**Table II**

| HP  | PH | Bracket No. | "AK" Fit | "U" Dim. | Motor Frame |
|-----|----|-------------|----------|----------|-------------|
| 7.5 | 1  | L05328      | 8-1/2"   | 7/8"     | 213JM       |
| 7.5 | 3  | L05329      | 4-1/2"   | 7/8"     | 184JM       |
| 10  | 1  | L05328      | 8-1/2"   | 7/8"     | 215JM       |
| 10  | 3  | L05328      | 8-1/2"   | 7/8"     | 213JM       |
| 15  | 3  | L05328      | 8-1/2"   | 7/8"     | 215JM       |

**NOTE:** For an explanation of the tabulated material found on this page and for impeller key location, refer to **Supplement A** located at the beginning of this section.



# BERKELEY® B3TPMS

## Cast Iron Impeller

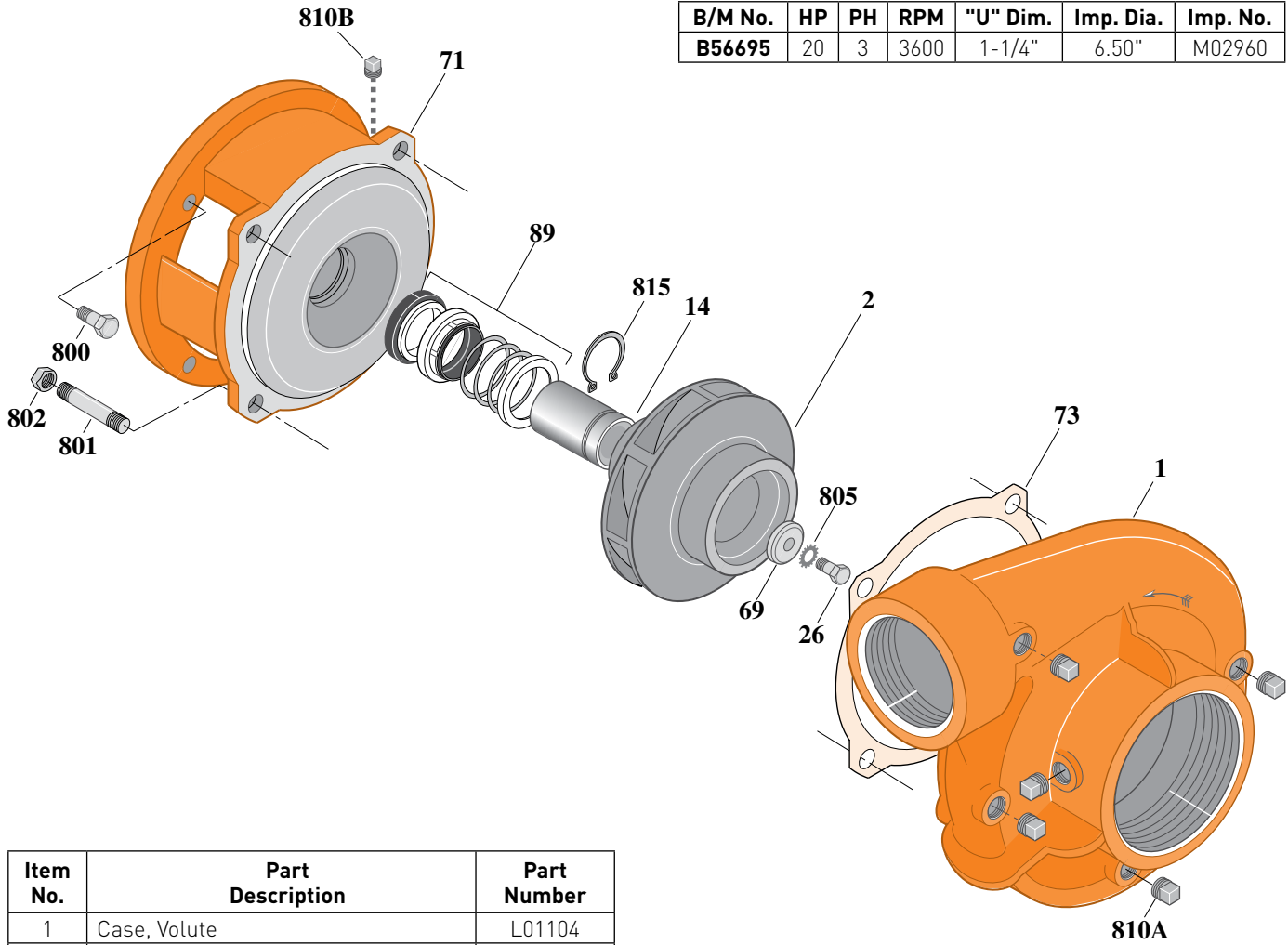
Threaded Case (NPT), Mechanical Shaft Seal Construction

ELECTRIC MOTOR DRIVE

|                     |               |
|---------------------|---------------|
| Section             | CC            |
| Page                | 160.8         |
| Date                | March 4, 2013 |
| Supersedes 01/01/04 |               |

**Table I**

| B/M No. | HP | PH | RPM  | "U" Dim. | Imp. Dia. | Imp. No. |
|---------|----|----|------|----------|-----------|----------|
| B56695  | 20 | 3  | 3600 | 1-1/4"   | 6.50"     | M02960   |



1490 0195

| Item No. | Part Description                 | Part Number  |
|----------|----------------------------------|--------------|
| 1        | Case, Volute                     | L01104       |
| 2        | Impeller                         | See Table I  |
| 14       | Sleeve, Shaft                    | S18869       |
| 26       | Screw, Impeller 1/2 - 13 x 1"    | S23619       |
| 32       | Key, 1/4 x 2-1/4" (See Note)     | S23677       |
| 69       | Washer, Impeller                 | S06319       |
| 71       | Bracket                          | See Table II |
| 73       | Gasket, Volute                   | S04757       |
| 89       | Seal, Mechanical Shaft           | S32015       |
| 800      | Capscrew, 1/2 - 13 x 1" [4 Req.] | S26912       |
| 801      | Stud, 1/2 - 13 x 1-1/2" [4 Req.] | S24043       |
| 802      | Nut, 1/2 - 13 [4 Req.]           | S23107       |
| 805      | Washer, Lock                     | S23038       |
| 810      | Plug, Pipe [5 Req.]              | S23715       |
| 815      | Ring, Retaining                  | S16767       |

**Table II**

| HP | PH | Bracket No. | "AK" Fit | "U" Dim. | Motor Frame |
|----|----|-------------|----------|----------|-------------|
| 20 | 3  | L05779      | 8-1/2"   | 1-1/4"   | 254JM       |

**NOTE:** For an explanation of the tabulated material found on this page and for impeller key location, refer to **Supplement A** located at the beginning of this section.





# BERKELEY® B3TPMS

## Cast Iron Impeller

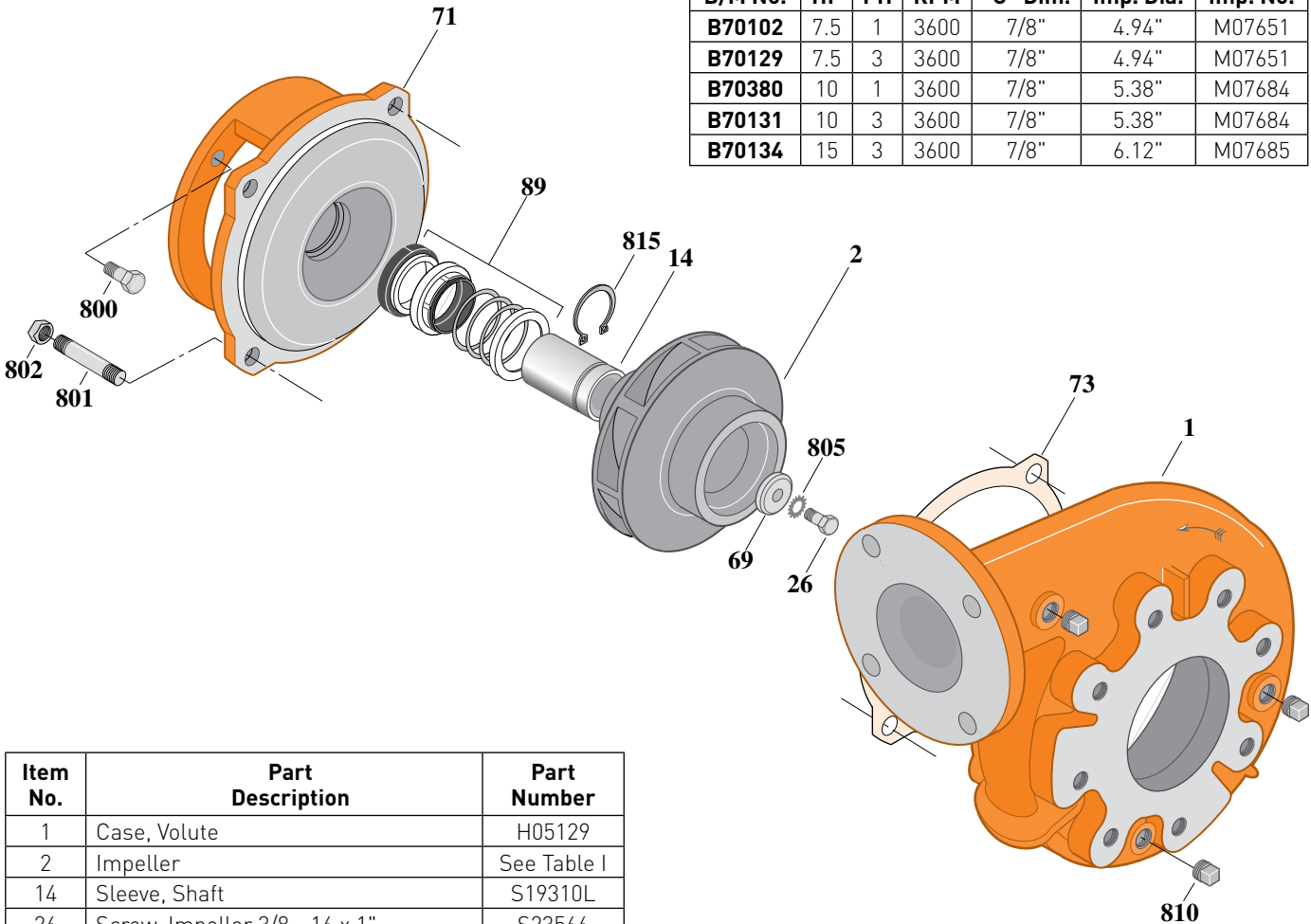
Flanged Case, Mechanical Shaft Seal Construction

### ELECTRIC MOTOR DRIVE

|                     |               |
|---------------------|---------------|
| Section             | CC            |
| Page                | 160.9         |
| Date                | March 4, 2013 |
| Supersedes 01/01/04 |               |

**Table I**

| B/M No.       | HP  | PH | RPM  | "U" Dim. | Imp. Dia. | Imp. No. |
|---------------|-----|----|------|----------|-----------|----------|
| <b>B70102</b> | 7.5 | 1  | 3600 | 7/8"     | 4.94"     | M07651   |
| <b>B70129</b> | 7.5 | 3  | 3600 | 7/8"     | 4.94"     | M07651   |
| <b>B70380</b> | 10  | 1  | 3600 | 7/8"     | 5.38"     | M07684   |
| <b>B70131</b> | 10  | 3  | 3600 | 7/8"     | 5.38"     | M07684   |
| <b>B70134</b> | 15  | 3  | 3600 | 7/8"     | 6.12"     | M07685   |



1482 0195

| Item No. | Part Description                                    | Part Number  |
|----------|---|--------------|
| 1        | Case, Volute  | H05129       |
| 2        | Impeller  | See Table I  |
| 14       | Sleeve, Shaft                                       | S19310L      |
| 26       | Screw, Impeller 3/8 - 16 x 1"                       | S23566       |
| 32       | Key, 3/16 x 1-1/4" [See Note]                       | S34383       |
| 40       | Washer, Impeller                                    | S06314       |
| 71       | Bracket   | See Table II |
| 73       | Gasket, Volute                                      | S04757       |
| 89       | Seal, Mechanical Shaft                              | S32014       |
| 800      | Cap screw, 3/8 - 16 x 1" [4 Req.]<br>[For 4-1/2 AK] | S26826       |
| 800      | Cap screw, 1/2 - 13 x 1" [4 Req.]<br>[For 8-1/2 AK] | S26912       |
| 801      | Stud, 1/2 - 13 x 1-1/2" [4 Req.]                    | S24043       |
| 802      | Nut, 1/2 - 13 [4 Req.]                              | S23107       |
| 805      | Washer, Lock  | S23036       |
| 810      | Plug, Pipe 1/4 NPT [5 Req.]                         | S23715       |
| 815      | Ring, Retaining                                     | S11207       |

**Table II**

| HP  | PH | Bracket No. | "AK" Fit | "U" Dim. | Motor Frame |
|-----|----|-------------|----------|----------|-------------|
| 7.5 | 1  | L05328      | 8-1/2"   | 7/8"     | 213JM       |
| 7.5 | 3  | L05329      | 4-1/2"   | 7/8"     | 184JM       |
| 10  | 1  | L05328      | 8-1/2"   | 7/8"     | 215JM       |
| 10  | 3  | L05328      | 8-1/2"   | 7/8"     | 213JM       |
| 15  | 3  | L05328      | 8-1/2"   | 7/8"     | 215JM       |

**NOTE:** For an explanation of the tabulated material found on this page and for impeller key location, refer to **Supplement A** located at the beginning of this section.



# BERKELEY® B3TPMS

## Cast Iron Impeller

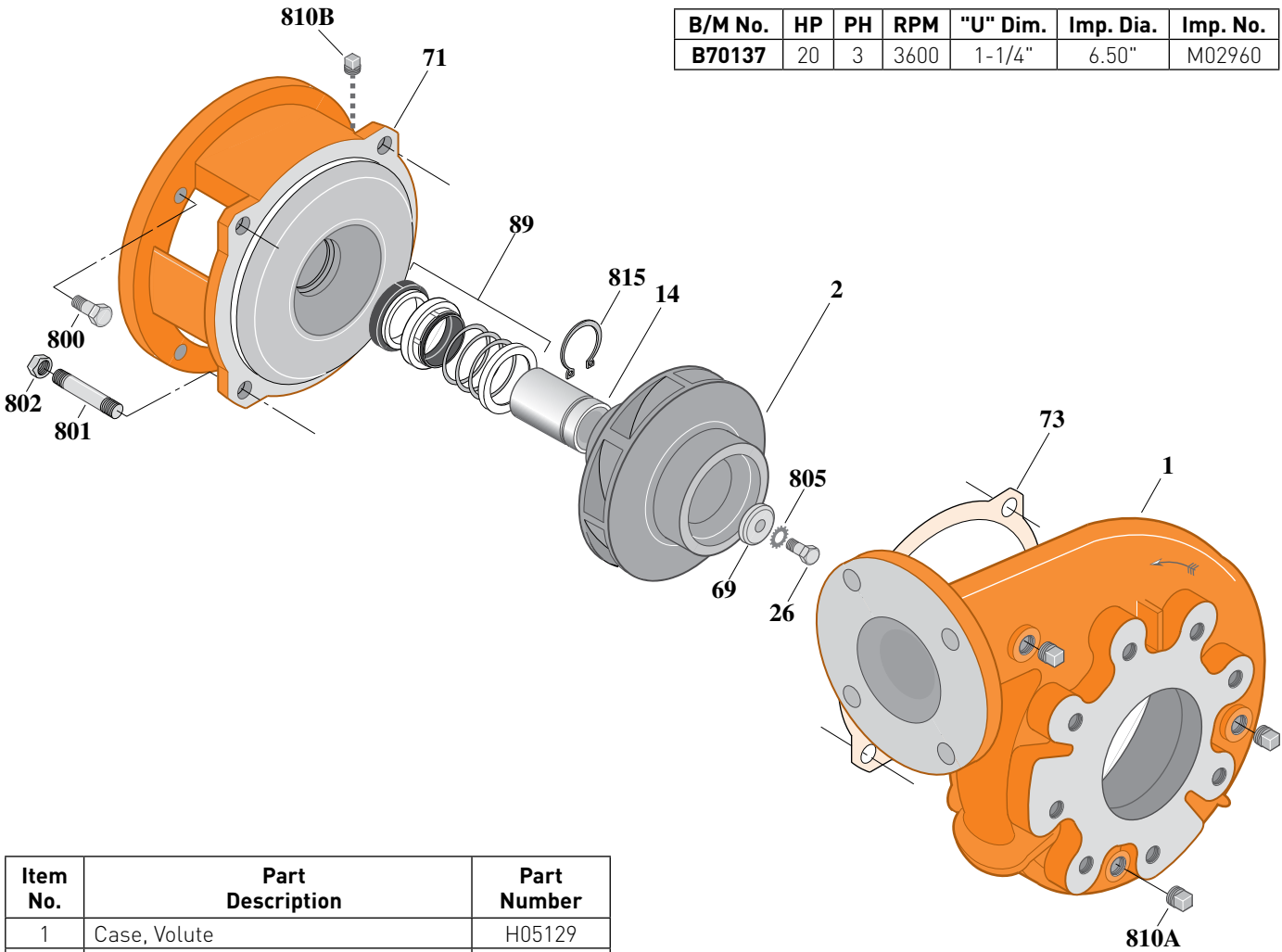
Flanged Case, Mechanical Shaft Seal Construction

### ELECTRIC MOTOR DRIVE

|                     |               |
|---------------------|---------------|
| Section             | CC            |
| Page                | 160.10        |
| Date                | March 4, 2013 |
| Supersedes 01/01/04 |               |

**Table I**

| B/M No. | HP | PH | RPM  | "U" Dim. | Imp. Dia. | Imp. No. |
|---------|----|----|------|----------|-----------|----------|
| B70137  | 20 | 3  | 3600 | 1-1/4"   | 6.50"     | M02960   |



1491 0195

| Item No. | Part Description                 | Part Number  |
|----------|----------------------------------|--------------|
| 1        | Case, Volute                     | H05129       |
| 2        | Impeller                         | See Table I  |
| 14       | Sleeve, Shaft                    | S18869       |
| 26       | Screw, Impeller 1/2 - 13 x 1"    | S23619       |
| 32       | Key, 1/4 x 2-1/4" (See Note)     | S23677       |
| 69       | Washer, Impeller                 | S06319       |
| 71       | Bracket                          | See Table II |
| 73       | Gasket, Volute                   | S04757       |
| 89       | Seal, Mechanical Shaft           | S32015       |
| 800      | Capscrew, 1/2 - 13 x 1" [4 Req.] | S26912       |
| 801      | Stud, 1/2 - 13 x 1-1/2" [4 Req.] | S24043       |
| 802      | Nut, 1/2 - 13 [4 Req.]           | S23107       |
| 805      | Washer, Lock                     | S23038       |
| 810      | Plug, Pipe [5 Req.]              | S23715       |
| 815      | Ring, Retaining                  | S16767       |

**Table II**

| HP | PH | Bracket No. | "AK" Fit | "U" Dim. | Motor Frame |
|----|----|-------------|----------|----------|-------------|
| 20 | 3  | L05779      | 8-1/2"   | 1-1/4"   | 254JM       |

**NOTE:** For an explanation of the tabulated material found on this page and for impeller key location, refer to **Supplement A** located at the beginning of this section.



# BERKELEY® B3TPM

## Bronze Impeller

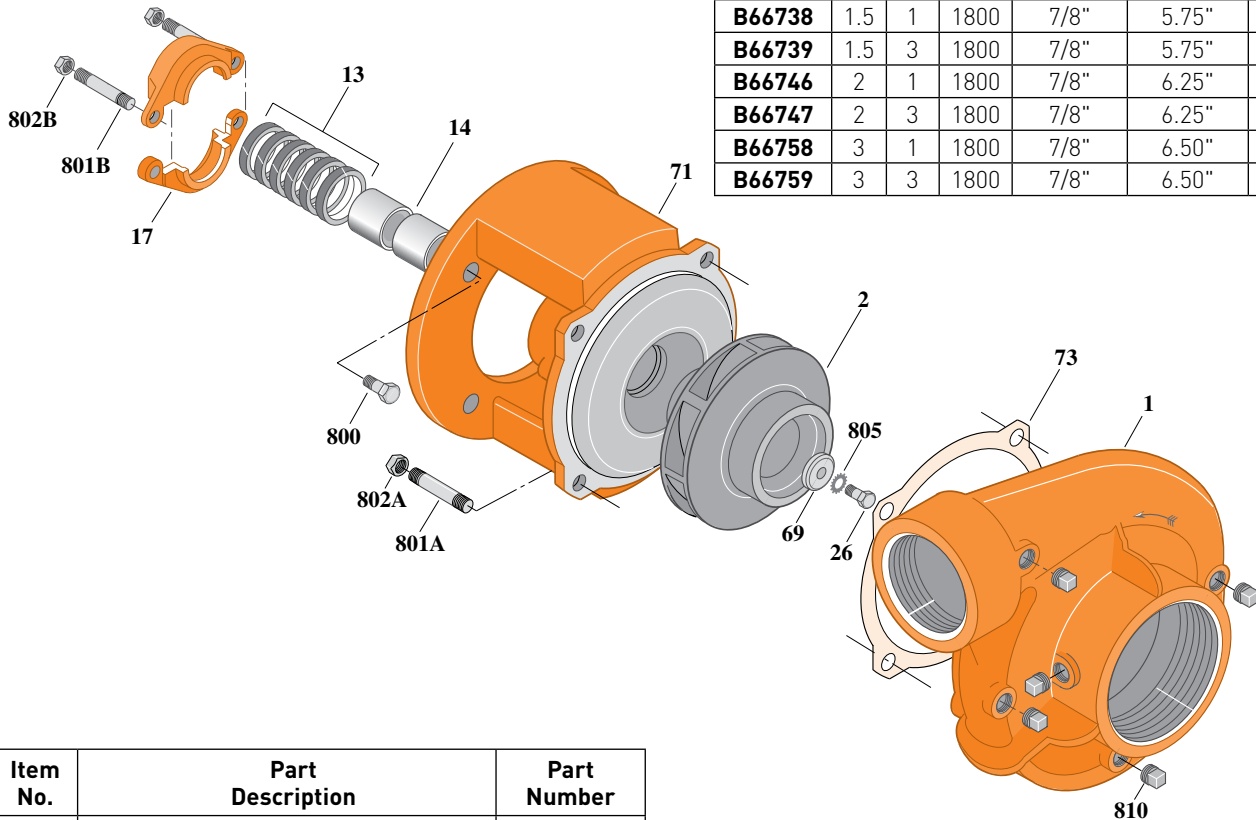
Threaded Case (NPT), Packing Construction

### ELECTRIC MOTOR DRIVE

|                     |               |
|---------------------|---------------|
| Section             | CC            |
| Page                | 160.11        |
| Date                | March 4, 2013 |
| Supersedes 01/01/04 |               |

Table I

| B/M No. | HP  | PH | RPM  | "U" Dim. | Imp. Dia. | Imp. No. |
|---------|-----|----|------|----------|-----------|----------|
| B66730  | 1   | 1  | 1800 | 7/8"     | 5.12"     | L06634   |
| B66731  | 1   | 3  | 1800 | 7/8"     | 5.12"     | L06634   |
| B66738  | 1.5 | 1  | 1800 | 7/8"     | 5.75"     | L06635   |
| B66739  | 1.5 | 3  | 1800 | 7/8"     | 5.75"     | L06635   |
| B66746  | 2   | 1  | 1800 | 7/8"     | 6.25"     | L06636   |
| B66747  | 2   | 3  | 1800 | 7/8"     | 6.25"     | L06636   |
| B66758  | 3   | 1  | 1800 | 7/8"     | 6.50"     | L06657   |
| B66759  | 3   | 3  | 1800 | 7/8"     | 6.50"     | L06657   |



1737 0495

| Item No. | Part Description                   | Part Number  |
|----------|------------------------------------|--------------|
| 1        | Case, Volute                       | L01104       |
| 2        | Impeller                           | See Table I  |
| 13       | Rings, Packing (Set of 6)          | S13469       |
| 14       | Sleeve, Shaft (2 Req.)             | S00619       |
| 17       | Gland, Packing                     | B82469       |
| 26       | Screw, Impeller 3/8 - 16 x 1"      | S23566       |
| 32       | Key, 3/16 x 1-1/4" (See Note)      | S34383       |
| 69       | Washer, Impeller                   | S06314       |
| 71       | Bracket                            | See Table II |
| 73       | Gasket, Volute                     | S04757       |
| 800      | Capscrew, 3/8 - 16 x 7/8" (4 Req.) | S26825       |
| 801A     | Stud, 1/2 - 13 x 1-1/2" (4 Req.)   | S24043       |
| 801B     | Stud, 3/8 - 16 x 4" (2 Req.)       | S08303       |
| 802A     | Nut, Hex 1/2 - 13 (4 Req.)         | S23107       |
| 802B     | Nut, Hex 3/8 - 16 (2 Req.)         | S23343       |
| 805      | Washer, Lock                       | S23036       |
| 810      | Plug, Pipe 1/4 NPT (5 Req.)        | S23715       |

Table II

| HP  | PH | Bracket No. | "AK" Fit | "U" Dim. | Motor Frame |
|-----|----|-------------|----------|----------|-------------|
| 1   | 1  | L01525      | 4-1/2"   | 7/8"     | 143JP       |
| 1   | 3  | L01525      | 4-1/2"   | 7/8"     | 143JP       |
| 1.5 | 1  | L01525      | 4-1/2"   | 7/8"     | 145JP       |
| 1.5 | 3  | L01525      | 4-1/2"   | 7/8"     | 145JP       |
| 2   | 1  | L01525      | 4-1/2"   | 7/8"     | 182JP       |
| 2   | 3  | L01525      | 4-1/2"   | 7/8"     | 145JP       |
| 3   | 1  | L01525      | 4-1/2"   | 7/8"     | 184JP       |
| 3   | 3  | L01525      | 4-1/2"   | 7/8"     | 182JP       |

**NOTE:** For an explanation of the tabulated material found on this page and for impeller key location, refer to **Supplement A** located at the beginning of this section.



# BERKELEY® B3TPM

## Bronze Impeller

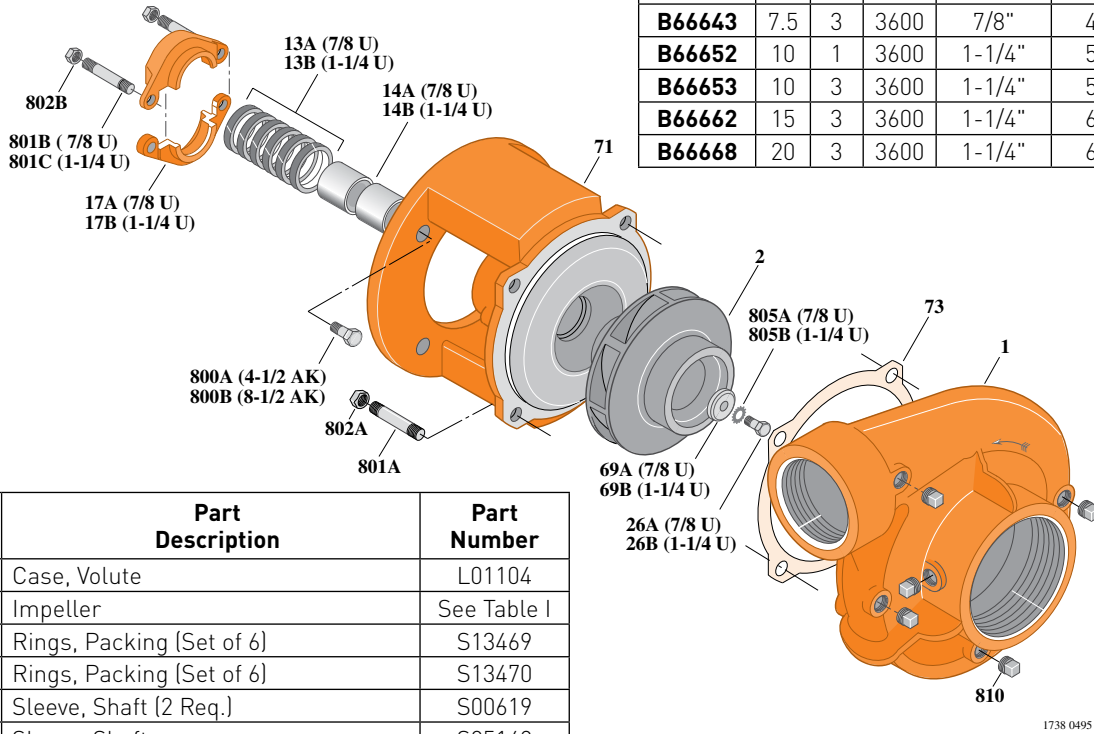
Threaded Case (NPT), Packing Construction

## ELECTRIC MOTOR DRIVE

|                     |               |
|---------------------|---------------|
| Section             | CC            |
| Page                | 160.12        |
| Date                | March 4, 2013 |
| Supersedes 01/01/04 |               |

Table I

| B/M No. | HP  | PH | RPM  | "U" Dim. | Imp. Dia. | Imp. No. |
|---------|-----|----|------|----------|-----------|----------|
| B66642  | 7.5 | 1  | 3600 | 1-1/4"   | 4.94"     | L06630   |
| B66643  | 7.5 | 3  | 3600 | 7/8"     | 4.94"     | L06633   |
| B66652  | 10  | 1  | 3600 | 1-1/4"   | 5.38"     | L06631   |
| B66653  | 10  | 3  | 3600 | 1-1/4"   | 5.38"     | L06631   |
| B66662  | 15  | 3  | 3600 | 1-1/4"   | 6.12"     | L06643   |
| B66668  | 20  | 3  | 3600 | 1-1/4"   | 6.50"     | L06658   |



| Item No. | Part Description                   | Part Number  |
|----------|------------------------------------|--------------|
| 1        | Case, Volute                       | L01104       |
| 2        | Impeller                           | See Table I  |
| 13A      | Rings, Packing [Set of 6]          | S13469       |
| 13B      | Rings, Packing [Set of 6]          | S13470       |
| 14A      | Sleeve, Shaft [2 Req.]             | S00619       |
| 14B      | Sleeve, Shaft                      | S05149       |
| 17A      | Gland, Packing                     | B82469       |
| 17B      | Gland, Packing                     | B82470       |
| 26A      | Screw, Impeller 3/8 - 16 x 1"      | S23566       |
| 26B      | Screw, Impeller 1/2 - 13 x 1"      | S23619       |
| 32A      | Key, 3/16 x 1-1/4" [See Note]      | S34383       |
| 32B      | Key, 1/4 x 2-1/4" [See Note]       | S23677       |
| 69A      | Washer, Impeller                   | S06314       |
| 69B      | Washer, Impeller                   | S06319       |
| 71       | Bracket                            | See Table II |
| 73       | Gasket, Volute                     | S04757       |
| 800A     | Capscrew, 3/8 - 16 x 7/8" [4 Req.] | S26825       |
| 800B     | Capscrew, 1/2 - 13 x 1" [4 Req.]   | S26912       |
| 801A     | Stud, 1/2 - 13 x 1-1/2" [4 Req.]   | S24043       |
| 801B     | Stud, 3/8 - 16 x 4" [2 Req.]       | S08303       |
| 801C     | Stud, 3/8 - 16 x 3-1/2" [2 Req.]   | S04441       |
| 802A     | Nut, Hex 1/2 - 13 [4 Req.]         | S23107       |
| 802B     | Nut, Hex 3/8 - 16 [2 Req.]         | S23343       |
| 805A     | Washer, Lock                       | S23036       |
| 805B     | Washer, Lock                       | S23038       |
| 810      | Plug, Pipe 1/4 NPT [5 Req.]        | S23715       |

Table II

| HP  | PH | Bracket No. | "AK" Fit | "U" Dim. | Motor Frame |
|-----|----|-------------|----------|----------|-------------|
| 7.5 | 1  | L01951      | 8-1/2"   | 1-1/4"   | 213JP       |
| 7.5 | 3  | L01525      | 4-1/2"   | 7/8"     | 184JP       |
| 10  | 1  | L01951      | 8-1/2"   | 1-1/4"   | 215JP       |
| 10  | 3  | L01951      | 8-1/2"   | 1-1/4"   | 213JP       |
| 15  | 3  | L01951      | 8-1/2"   | 1-1/4"   | 215JP       |
| 20  | 3  | L01951      | 8-1/2"   | 1-1/4"   | 254JP       |

**NOTE:** For an explanation of the tabulated material found on this page and for impeller key location, refer to **Supplement A** located at the beginning of this section.



# BERKELEY® B3TPMS

## Bronze Impeller

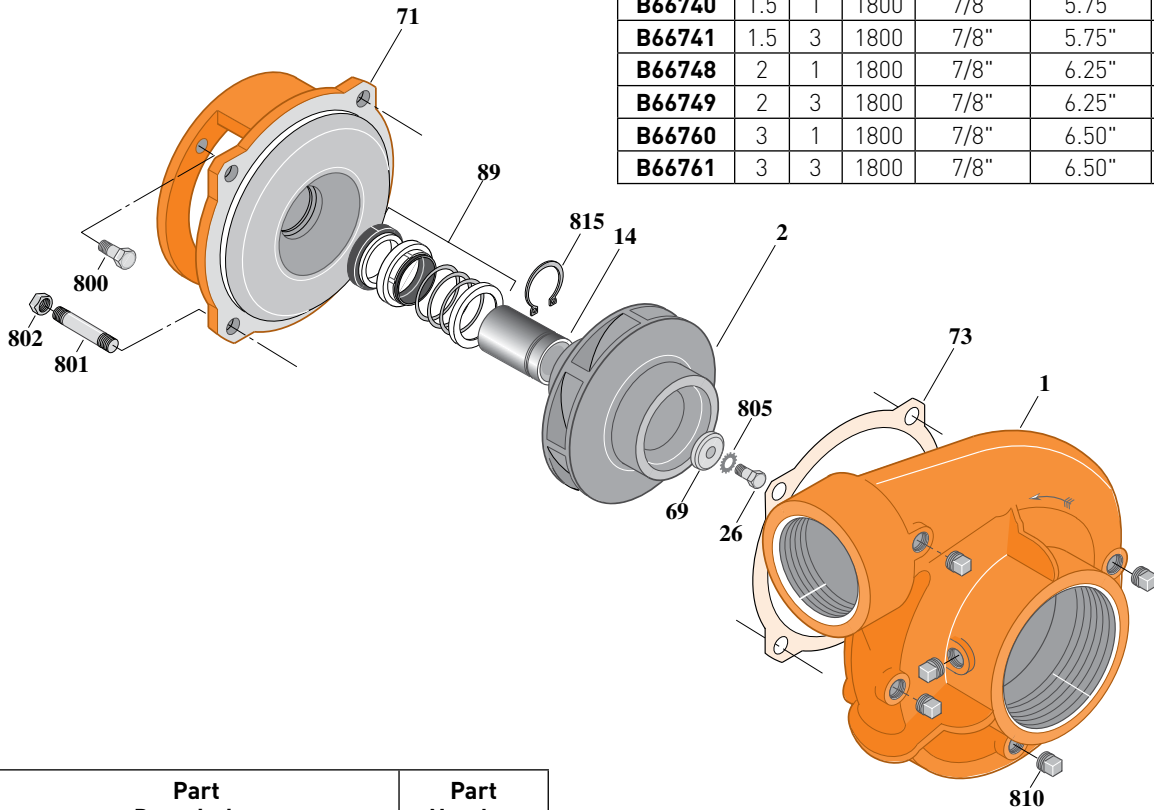
Threaded Case (NPT), Mechanical Shaft Seal Construction

## ELECTRIC MOTOR DRIVE

|                     |               |
|---------------------|---------------|
| Section             | CC            |
| Page                | 160.13        |
| Date                | March 4, 2013 |
| Supersedes 01/01/04 |               |

**Table I**

| B/M No.       | HP  | PH | RPM  | "U" Dim. | Imp. Dia. | Imp. No. |
|---------------|-----|----|------|----------|-----------|----------|
| <b>B66732</b> | 1   | 1  | 1800 | 7/8"     | 5.12"     | L06634   |
| <b>B66733</b> | 1   | 3  | 1800 | 7/8"     | 5.12"     | L06634   |
| <b>B66740</b> | 1.5 | 1  | 1800 | 7/8"     | 5.75"     | L06635   |
| <b>B66741</b> | 1.5 | 3  | 1800 | 7/8"     | 5.75"     | L06635   |
| <b>B66748</b> | 2   | 1  | 1800 | 7/8"     | 6.25"     | L06636   |
| <b>B66749</b> | 2   | 3  | 1800 | 7/8"     | 6.25"     | L06636   |
| <b>B66760</b> | 3   | 1  | 1800 | 7/8"     | 6.50"     | L06657   |
| <b>B66761</b> | 3   | 3  | 1800 | 7/8"     | 6.50"     | L06657   |



1481 0195

| Item No. | Part Description                                | Part Number  |
|----------|---|--------------|
| 1        | Case, Volute                                    | L01104       |
| 2        | Impeller  | See Table I  |
| 14       | Sleeve, Shaft                                   | S19310L      |
| 26       | Screw, Impeller 3/8 - 16 x 1"                   | S23566       |
| 32       | Key, 3/16 x 1-1/4" (See Note)                   | S34383       |
| 69       | Washer, Impeller                                | S06314       |
| 71       | Bracket   | See Table II |
| 73       | Gasket, Volute                                  | S04757       |
| 89       | Seal, Mechanical Shaft                          | S32014       |
| 800      | Capscrew, 3/8 - 16 x 1" (4 Req.) (For 4-1/2 AK) | S26826       |
| 801      | Stud, 1/2 - 13 x 1-1/2" (4 Req.)                | S24043       |
| 802      | Nut, 1/2 - 13 (4 Req.)                          | S23107       |
| 805      | Washer, Lock                                    | S23036       |
| 810      | Plug, Pipe 1/4 NPT (5 Req.)                     | S23715       |
| 815      | Ring, Retaining                                 | S11207       |

**Table II**

| HP  | PH | Bracket No. | "AK" Fit | "U" Dim. | Motor Frame |
|-----|----|-------------|----------|----------|-------------|
| 1   | 1  | L05329      | 4-1/2"   | 7/8"     | 143JM       |
| 1   | 3  | L05329      | 4-1/2"   | 7/8"     | 143JM       |
| 1.5 | 1  | L05329      | 4-1/2"   | 7/8"     | 145JM       |
| 1.5 | 3  | L05329      | 4-1/2"   | 7/8"     | 145JM       |
| 2   | 1  | L05329      | 4-1/2"   | 7/8"     | 182JM       |
| 2   | 3  | L05329      | 4-1/2"   | 7/8"     | 145JM       |
| 3   | 1  | L05329      | 4-1/2"   | 7/8"     | 184JM       |
| 3   | 3  | L05329      | 4-1/2"   | 7/8"     | 182JM       |

**NOTE:** For an explanation of the tabulated material found on this page and for impeller key location, refer to **Supplement A** located at the beginning of this section.



# BERKELEY® B3TPMS

## Bronze Impeller

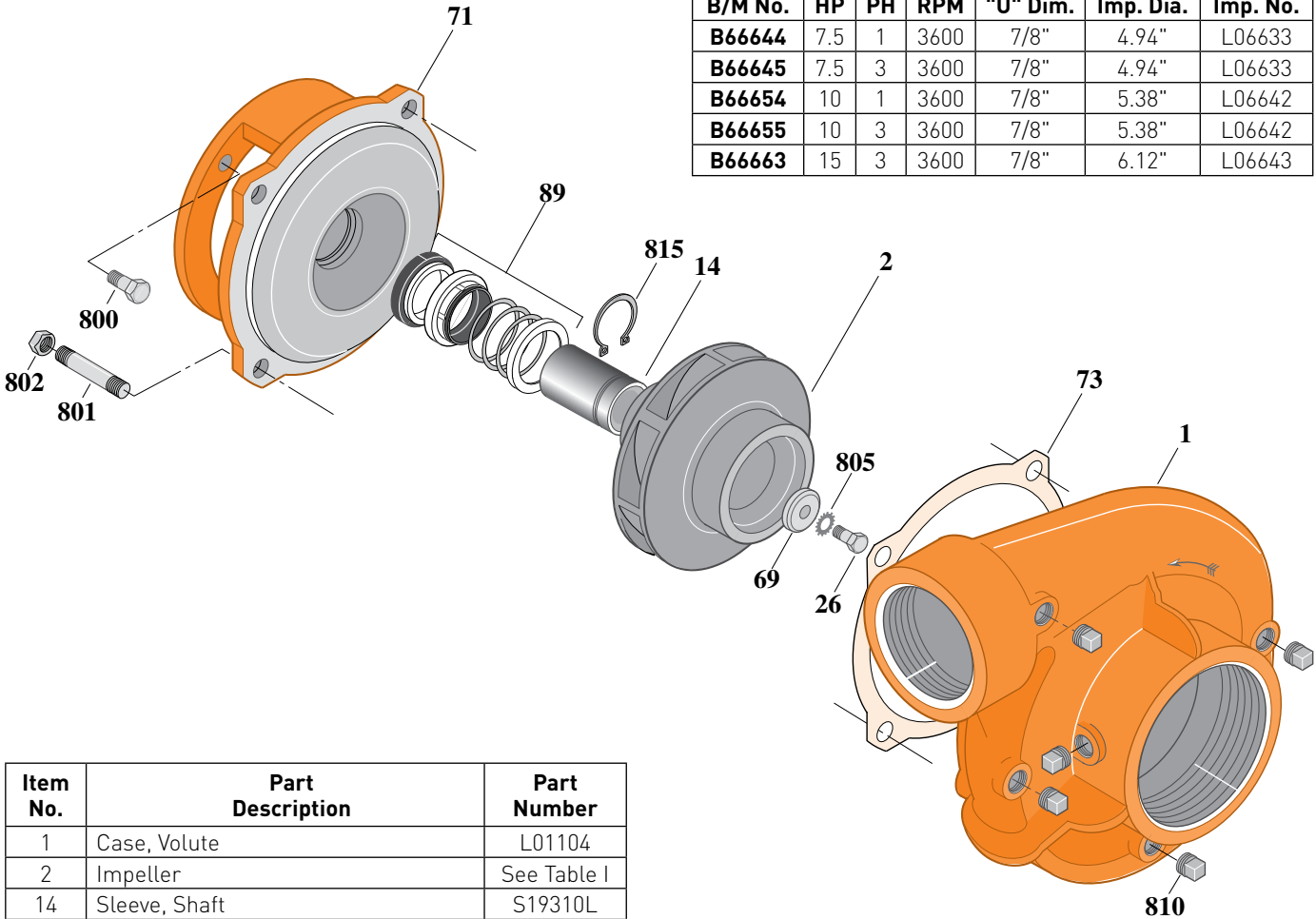
Threaded Case (NPT), Mechanical Shaft Seal Construction

## ELECTRIC MOTOR DRIVE

|                     |               |
|---------------------|---------------|
| Section             | CC            |
| Page                | 160.14        |
| Date                | March 4, 2013 |
| Supersedes 01/01/04 |               |

Table I

| B/M No. | HP  | PH | RPM  | "U" Dim. | Imp. Dia. | Imp. No. |
|---------|-----|----|------|----------|-----------|----------|
| B66644  | 7.5 | 1  | 3600 | 7/8"     | 4.94"     | L06633   |
| B66645  | 7.5 | 3  | 3600 | 7/8"     | 4.94"     | L06633   |
| B66654  | 10  | 1  | 3600 | 7/8"     | 5.38"     | L06642   |
| B66655  | 10  | 3  | 3600 | 7/8"     | 5.38"     | L06642   |
| B66663  | 15  | 3  | 3600 | 7/8"     | 6.12"     | L06643   |



1481 0195

| Item No. | Part Description                                 | Part Number  |
|----------|--|--------------|
| 1        | Case, Volute                                     | L01104       |
| 2        | Impeller   | See Table I  |
| 14       | Sleeve, Shaft                                    | S19310L      |
| 26       | Screw, Impeller 3/8 - 16 x 1"                    | S23566       |
| 32       | Key, 3/16 x 1-1/4" [See Note]                    | S34383       |
| 69       | Washer, Impeller                                 | S06314       |
| 71       | Bracket  | See Table II |
| 73       | Gasket, Volute                                   | S04757       |
| 89       | Seal, Mechanical Shaft                           | S32014       |
| 800      | Cap screw, 3/8 - 16 x 1" (4 Req.) [For 4-1/2 AK] | S26826       |
| 800      | Cap screw, 1/2 - 13 x 1" (4 Req.) [For 8-1/2 AK] | S26912       |
| 801      | Stud, 1/2 - 13 x 1-1/2" (4 Req.)                 | S24043       |
| 802      | Nut, 1/2 - 13 (4 Req.)                           | S23107       |
| 805      | Washer, Lock                                     | S23036       |
| 810      | Plug, Pipe 1/4 NPT (5 Req.)                      | S23715       |
| 815      | Ring, Retaining                                  | S11207       |

Table II

| HP  | PH | Bracket No. | "AK" Fit | "U" Dim. | Motor Frame |
|-----|----|-------------|----------|----------|-------------|
| 7.5 | 1  | L05328      | 8-1/2"   | 7/8"     | 213JM       |
| 7.5 | 3  | L05329      | 4-1/2"   | 7/8"     | 184JM       |
| 10  | 1  | L05328      | 8-1/2"   | 7/8"     | 215JM       |
| 10  | 3  | L05328      | 8-1/2"   | 7/8"     | 213JM       |
| 15  | 3  | L05328      | 8-1/2"   | 7/8"     | 215JM       |

**NOTE:** For an explanation of the tabulated material found on this page and for impeller key location, refer to **Supplement A** located at the beginning of this section.





# BERKELEY® B3TPMS

## Bronze Impeller

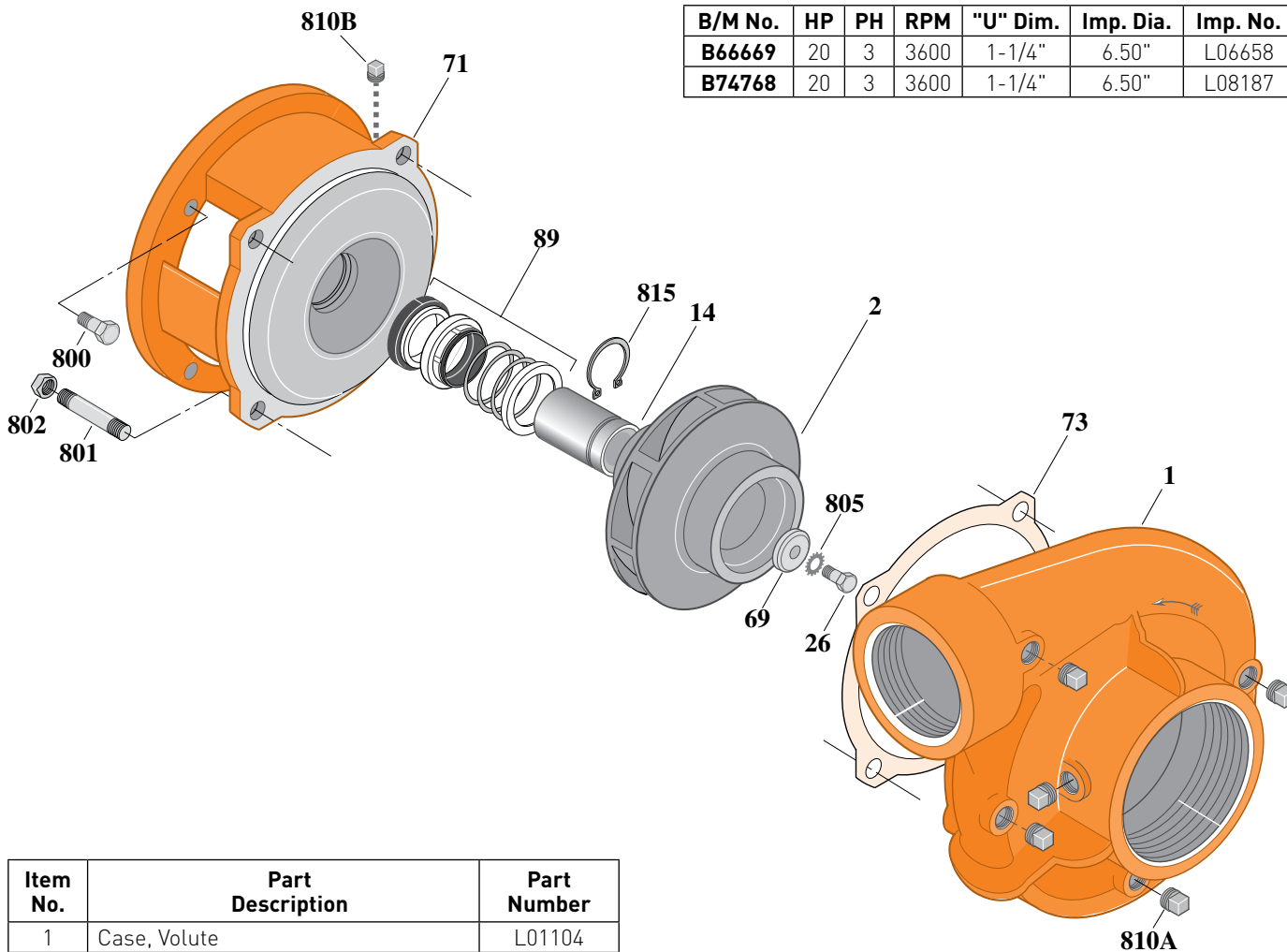
Threaded Case (NPT), Mechanical Shaft Seal Construction

### ELECTRIC MOTOR DRIVE

|                     |               |
|---------------------|---------------|
| Section             | CC            |
| Page                | 160.15        |
| Date                | March 4, 2013 |
| Supersedes 01/01/04 |               |

**Table I**

| B/M No. | HP | PH | RPM  | "U" Dim. | Imp. Dia. | Imp. No. |
|---------|----|----|------|----------|-----------|----------|
| B66669  | 20 | 3  | 3600 | 1-1/4"   | 6.50"     | L06658   |
| B74768  | 20 | 3  | 3600 | 1-1/4"   | 6.50"     | L08187   |



1490 0195

| Item No. | Part Description                 | Part Number  |
|----------|----------------------------------|--------------|
| 1        | Case, Volute                     | L01104       |
| 2        | Impeller                         | See Table I  |
| 14       | Sleeve, Shaft                    | S18869       |
| 26       | Screw, Impeller 1/2 - 13 x 1"    | S23619       |
| 32       | Key, 1/4 x 2-1/4" (See Note)     | S23677       |
| 69       | Washer, Impeller                 | S06319       |
| 71       | Bracket                          | See Table II |
| 73       | Gasket, Volute                   | S04757       |
| 89       | Seal, Mechanical Shaft           | S32015       |
| 800      | Capscrew, 1/2 - 13 x 1" (4 Req.) | S26912       |
| 801      | Stud, 1/2 - 13 x 1-1/2" (4 Req.) | S24043       |
| 802      | Nut, 1/2 - 13 (4 Req.)           | S23107       |
| 805      | Washer, Lock                     | S23038       |
| 810      | Plug, Pipe (5 Req.)              | S23715       |
| 815      | Ring, Retaining                  | S16767       |

**Table II**

| HP | PH | Bracket No. | "AK" Fit | "U" Dim. | Motor Frame |
|----|----|-------------|----------|----------|-------------|
| 20 | 3  | L05779      | 8-1/2"   | 1-1/4"   | 254JM       |

**NOTE:** For an explanation of the tabulated material found on this page and for impeller key location, refer to **Supplement A** located at the beginning of this section.



# BERKELEY® B3TPM

## Silicon Bronze Impeller

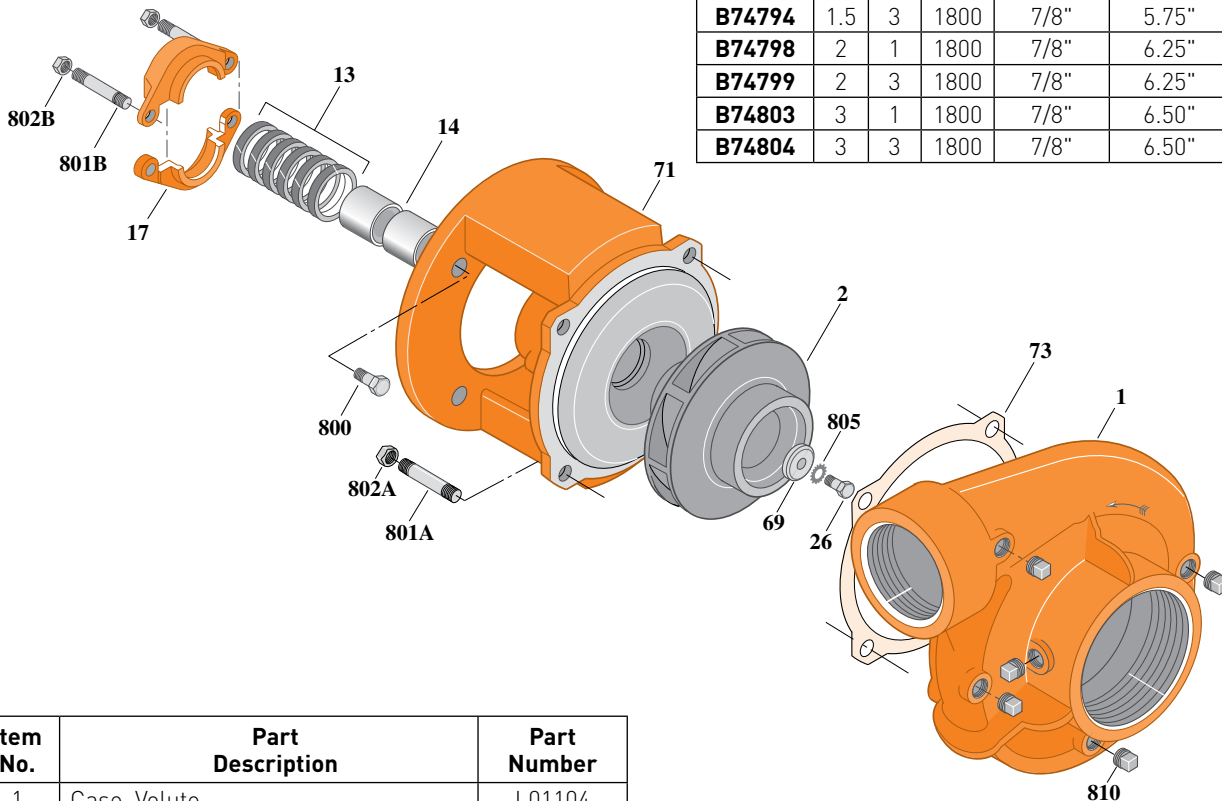
Threaded Case (NPT), Packing Construction

### ELECTRIC MOTOR DRIVE

|                     |               |
|---------------------|---------------|
| Section             | CC            |
| Page                | 160.17        |
| Date                | March 4, 2013 |
| Supersedes 01/01/04 |               |

**Table I**

| B/M No.       | HP  | PH | RPM  | "U" Dim. | Imp. Dia. | Imp. No. |
|---------------|-----|----|------|----------|-----------|----------|
| <b>B74788</b> | 1   | 1  | 1800 | 7/8"     | 5.12"     | L08174   |
| <b>B74789</b> | 1   | 3  | 1800 | 7/8"     | 5.12"     | L08174   |
| <b>B74793</b> | 1.5 | 1  | 1800 | 7/8"     | 5.75"     | L08172   |
| <b>B74794</b> | 1.5 | 3  | 1800 | 7/8"     | 5.75"     | L08172   |
| <b>B74798</b> | 2   | 1  | 1800 | 7/8"     | 6.25"     | L08168   |
| <b>B74799</b> | 2   | 3  | 1800 | 7/8"     | 6.25"     | L08168   |
| <b>B74803</b> | 3   | 1  | 1800 | 7/8"     | 6.50"     | L08169   |
| <b>B74804</b> | 3   | 3  | 1800 | 7/8"     | 6.50"     | L08169   |



1737 0495

| Item No. | Part Description                   | Part Number  |
|----------|------------------------------------|--------------|
| 1        | Case, Volute                       | L01104       |
| 2        | Impeller                           | See Table I  |
| 13       | Rings, Packing (Set of 6)          | S13469       |
| 14       | Sleeve, Shaft (2 Req.)             | S00619       |
| 17       | Gland, Packing                     | B82469       |
| 26       | Screw, Impeller 3/8 - 16 x 1"      | S23566       |
| 32       | Key, 3/16 x 1-1/4" (See Note)      | S34383       |
| 69       | Washer, Impeller                   | S06314       |
| 71       | Bracket                            | See Table II |
| 73       | Gasket, Volute                     | S04757       |
| 800      | Capscrew, 3/8 - 16 x 7/8" (4 Req.) | S26825       |
| 801A     | Stud, 1/2 - 13 x 1-1/2" (4 Req.)   | S24043       |
| 801B     | Stud, 3/8 - 16 x 4" (2 Req.)       | S08303       |
| 802A     | Nut, Hex 1/2 - 13 (4 Req.)         | S23107       |
| 802B     | Nut, Hex 3/8 - 16 (2 Req.)         | S23343       |
| 805      | Washer, Lock                       | S23036       |
| 810      | Plug, Pipe 1/4" NPT (5 Req.)       | S23715       |

**Table II**

| HP  | PH | Bracket No. | "AK" Fit | "U" Dim. | Motor Frame |
|-----|----|-------------|----------|----------|-------------|
| 1   | 1  | L01525      | 4-1/2"   | 7/8"     | 143JP       |
| 1   | 3  | L01525      | 4-1/2"   | 7/8"     | 143JP       |
| 1.5 | 1  | L01525      | 4-1/2"   | 7/8"     | 145JP       |
| 1.5 | 3  | L01525      | 4-1/2"   | 7/8"     | 145JP       |
| 2   | 1  | L01525      | 4-1/2"   | 7/8"     | 182JP       |
| 2   | 3  | L01525      | 4-1/2"   | 7/8"     | 145JP       |
| 3   | 1  | L01525      | 4-1/2"   | 7/8"     | 184JP       |
| 3   | 3  | L01525      | 4-1/2"   | 7/8"     | 182JP       |

**NOTE:** For an explanation of the tabulated material found on this page and for impeller key location, refer to **Supplement A** located at the beginning of this section.



# BERKELEY® B3TPM

## Silicon Bronze Impeller

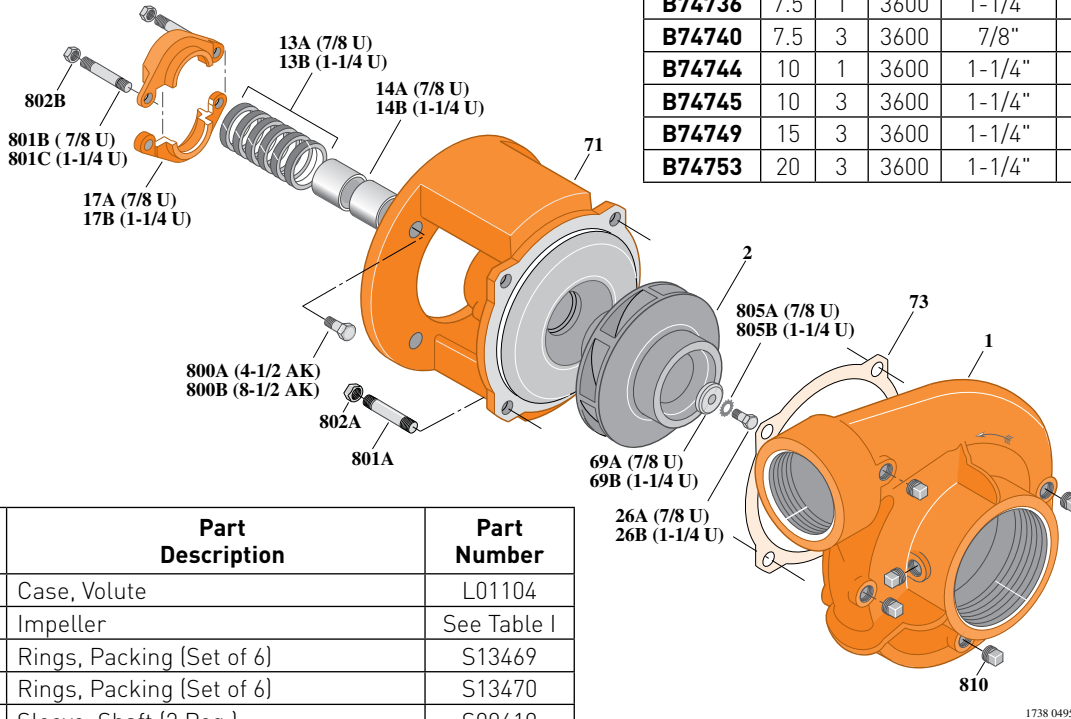
Threaded Case (NPT), Packing Construction

## ELECTRIC MOTOR DRIVE

|                     |               |
|---------------------|---------------|
| Section             | CC            |
| Page                | 160.18        |
| Date                | March 4, 2013 |
| Supersedes 01/01/04 |               |

**Table I**

| B/M No. | HP  | PH | RPM  | "U" Dim. | Imp. Dia. | Imp. No. |
|---------|-----|----|------|----------|-----------|----------|
| B74736  | 7.5 | 1  | 3600 | 1-1/4"   | 4.94"     | L08183   |
| B74740  | 7.5 | 3  | 3600 | 7/8"     | 4.94"     | L08175   |
| B74744  | 10  | 1  | 3600 | 1-1/4"   | 5.38"     | L08184   |
| B74745  | 10  | 3  | 3600 | 1-1/4"   | 5.38"     | L08184   |
| B74749  | 15  | 3  | 3600 | 1-1/4"   | 6.12"     | L08186   |
| B74753  | 20  | 3  | 3600 | 1-1/4"   | 6.50"     | L08187   |



| Item No. | Part Description                   | Part Number  |
|----------|------------------------------------|--------------|
| 1        | Case, Volute                       | L01104       |
| 2        | Impeller                           | See Table I  |
| 13A      | Rings, Packing [Set of 6]          | S13469       |
| 13B      | Rings, Packing [Set of 6]          | S13470       |
| 14A      | Sleeve, Shaft [2 Req.]             | S00619       |
| 14B      | Sleeve, Shaft                      | S05149       |
| 17A      | Gland, Packing                     | B82469       |
| 17B      | Gland, Packing                     | B82470       |
| 26A      | Screw, Impeller 3/8 - 16 x 1"      | S23566       |
| 26B      | Screw, Impeller 1/2 - 13 x 1"      | S23619       |
| 32A      | Key, 3/16 x 1-1/4" [See Note]      | S34383       |
| 32B      | Key, 1/4 x 2-1/4" [See Note]       | S23677       |
| 69A      | Washer, Impeller                   | S06314       |
| 69B      | Washer, Impeller                   | S06319       |
| 71       | Bracket                            | See Table II |
| 73       | Gasket, Volute                     | S04757       |
| 800A     | Capscrew, 3/8 - 16 x 7/8" [4 Req.] | S26825       |
| 800B     | Capscrew, 1/2 - 13 x 1" [4 Req.]   | S26912       |
| 801A     | Stud, 1/2 - 13 x 1-1/2" [4 Req.]   | S24043       |
| 801B     | Stud, 3/8 - 16 x 4" [2 Req.]       | S08303       |
| 801C     | Stud, 3/8 - 16 x 3-1/2" [2 Req.]   | S04441       |
| 802A     | Nut, Hex 1/2 - 13 [4 Req.]         | S23107       |
| 802B     | Nut, Hex 3/8 - 16 [2 Req.]         | S23343       |
| 805A     | Washer, Lock                       | S23036       |
| 805B     | Washer, Lock                       | S23038       |
| 810      | Plug, Pipe 1/4" NPT [5 Req.]       | S23715       |

**Table II**

| HP  | PH | Bracket No. | "AK" Fit | "U" Dim. | Motor Frame |
|-----|----|-------------|----------|----------|-------------|
| 7.5 | 1  | L01951      | 8-1/2"   | 1-1/4"   | 213JP       |
| 7.5 | 3  | L01525      | 4-1/2"   | 7/8"     | 184JP       |
| 10  | 1  | L01951      | 8-1/2"   | 1-1/4"   | 215JP       |
| 10  | 3  | L01951      | 8-1/2"   | 1-1/4"   | 213JP       |
| 15  | 3  | L01951      | 8-1/2"   | 1-1/4"   | 215JP       |
| 20  | 3  | L01951      | 8-1/2"   | 1-1/4"   | 254JP       |

**NOTE:** For an explanation of the tabulated material found on this page and for impeller key location, refer to **Supplement A** located at the beginning of this section.



# BERKELEY® B3TPM

## Silicon Bronze Impeller

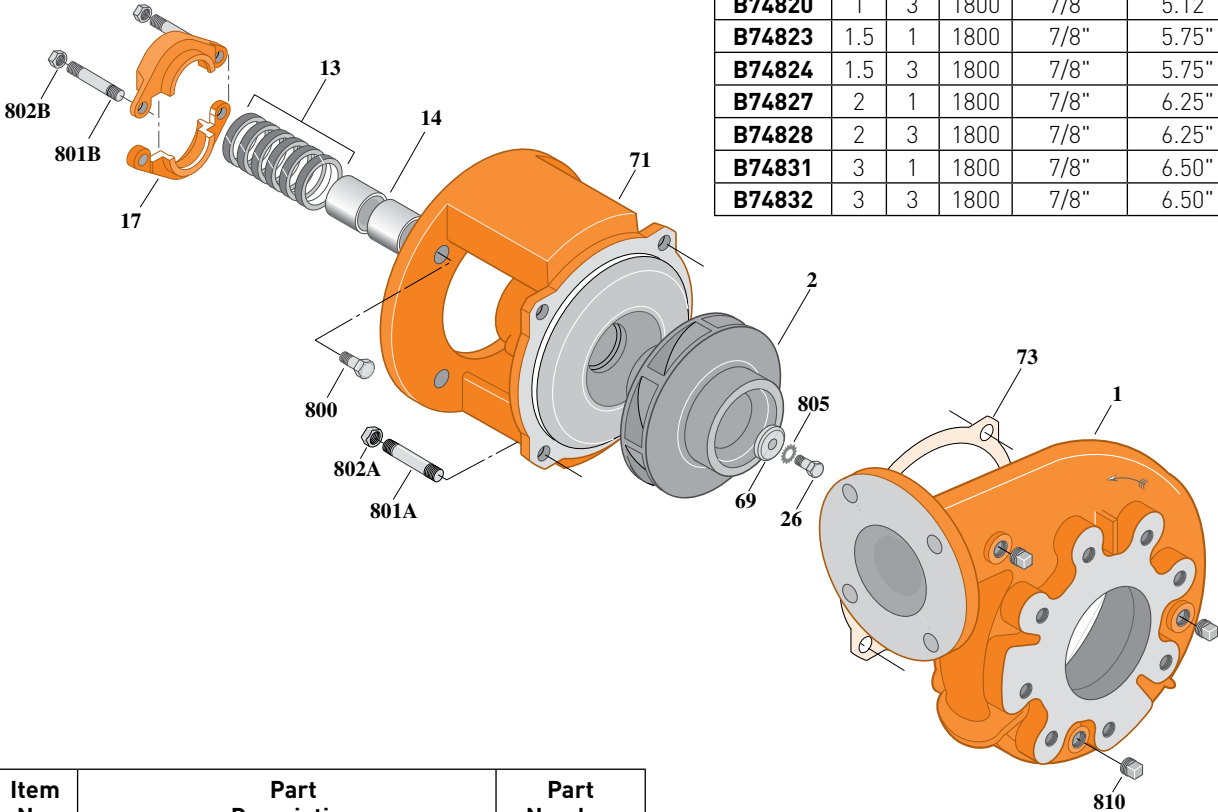
Flanged Case, Packing Construction

### ELECTRIC MOTOR DRIVE

|                     |               |
|---------------------|---------------|
| Section             | CC            |
| Page                | 160.19        |
| Date                | March 4, 2013 |
| Supersedes 01/01/04 |               |

Table I

| B/M No. | HP  | PH | RPM  | "U" Dim. | Imp. Dia. | Imp. No. |
|---------|-----|----|------|----------|-----------|----------|
| B74819  | 1   | 1  | 1800 | 7/8"     | 5.12"     | L08174   |
| B74820  | 1   | 3  | 1800 | 7/8"     | 5.12"     | L08174   |
| B74823  | 1.5 | 1  | 1800 | 7/8"     | 5.75"     | L08172   |
| B74824  | 1.5 | 3  | 1800 | 7/8"     | 5.75"     | L08172   |
| B74827  | 2   | 1  | 1800 | 7/8"     | 6.25"     | L08168   |
| B74828  | 2   | 3  | 1800 | 7/8"     | 6.25"     | L08168   |
| B74831  | 3   | 1  | 1800 | 7/8"     | 6.50"     | L08169   |
| B74832  | 3   | 3  | 1800 | 7/8"     | 6.50"     | L08169   |



1739 0495

| Item No. | Part Description                   | Part Number  |
|----------|------------------------------------|--------------|
| 1        | Case, Volute                       | H05129       |
| 2        | Impeller                           | See Table I  |
| 13       | Rings, Packing (Set of 6)          | S13469       |
| 14       | Sleeve, Shaft (2 Req.)             | S00619       |
| 17       | Gland, Packing                     | B82469       |
| 26       | Screw, Impeller 3/8 - 16 x 1"      | S23566       |
| 32       | Key, 3/16 x 1-1/4" (See Note)      | S34383       |
| 69       | Washer, Impeller                   | S06314       |
| 71       | Bracket                            | See Table II |
| 73       | Gasket, Volute                     | S04757       |
| 800      | Capscrew, 3/8 - 16 x 7/8" (4 Req.) | S26825       |
| 801A     | Stud, 1/2 - 13 x 1-1/2" (4 Req.)   | S24043       |
| 801B     | Stud, 3/8 - 16 x 4" (2 Req.)       | S08303       |
| 802A     | Nut, Hex 1/2 - 13 (4 Req.)         | S23107       |
| 802B     | Nut, Hex 3/8 - 16 (2 Req.)         | S23343       |
| 805      | Washer, Lock                       | S23036       |
| 810      | Plug, Pipe 1/4" NPT (3 Req.)       | S23715       |

Table II

| HP  | PH | Bracket No. | "AK" Fit | "U" Dim. | Motor Frame |
|-----|----|-------------|----------|----------|-------------|
| 1   | 1  | L01525      | 4-1/2"   | 7/8"     | 143JP       |
| 1   | 3  | L01525      | 4-1/2"   | 7/8"     | 143JP       |
| 1.5 | 1  | L01525      | 4-1/2"   | 7/8"     | 145JP       |
| 1.5 | 3  | L01525      | 4-1/2"   | 7/8"     | 145JP       |
| 2   | 1  | L01525      | 4-1/2"   | 7/8"     | 182JP       |
| 2   | 3  | L01525      | 4-1/2"   | 7/8"     | 145JP       |
| 3   | 1  | L01525      | 4-1/2"   | 7/8"     | 184JP       |
| 3   | 3  | L01525      | 4-1/2"   | 7/8"     | 182JP       |

**NOTE:** For an explanation of the tabulated material found on this page and for impeller key location, refer to **Supplement A** located at the beginning of this section.



# BERKELEY® B3TPM

## Silicon Bronze Impeller

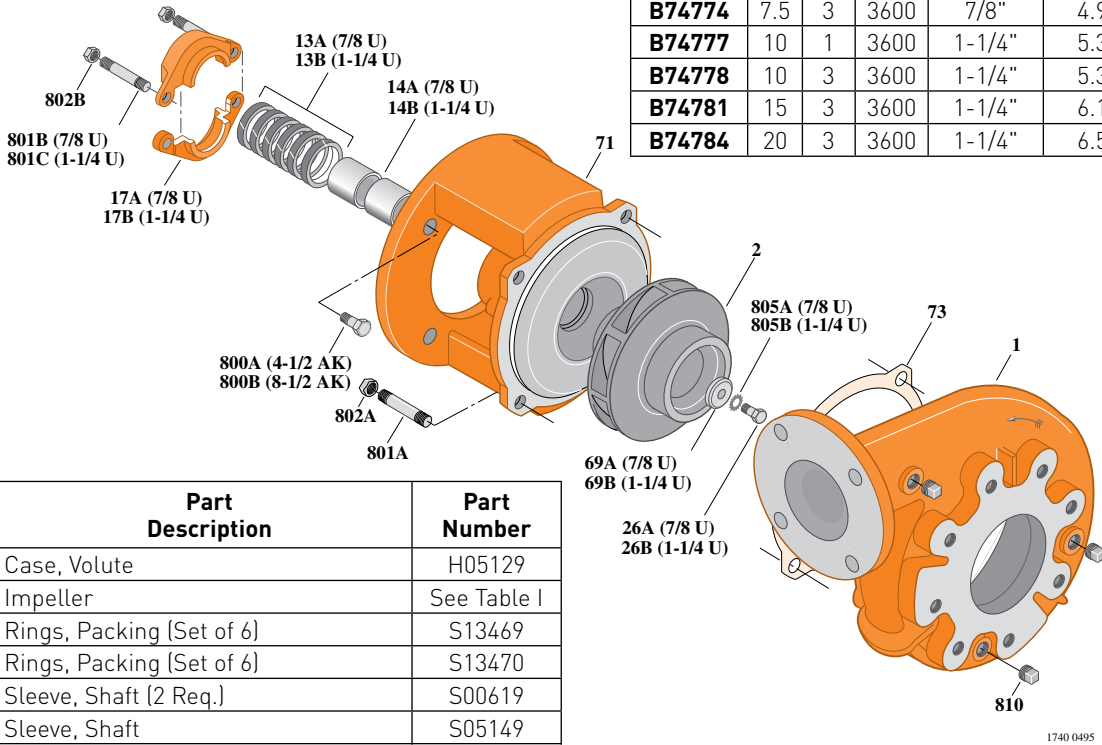
Flanged Case, Packing Construction

## ELECTRIC MOTOR DRIVE

|                     |               |
|---------------------|---------------|
| Section             | CC            |
| Page                | 160.20        |
| Date                | March 4, 2013 |
| Supersedes 01/01/04 |               |

**Table I**

| B/M No. | HP  | PH | RPM  | "U" Dim. | Imp. Dia. | Imp. No. |
|---------|-----|----|------|----------|-----------|----------|
| B74771  | 7.5 | 1  | 3600 | 1-1/4"   | 4.94"     | L08183   |
| B74774  | 7.5 | 3  | 3600 | 7/8"     | 4.94"     | L08175   |
| B74777  | 10  | 1  | 3600 | 1-1/4"   | 5.38"     | L08184   |
| B74778  | 10  | 3  | 3600 | 1-1/4"   | 5.38"     | L08184   |
| B74781  | 15  | 3  | 3600 | 1-1/4"   | 6.12"     | L08186   |
| B74784  | 20  | 3  | 3600 | 1-1/4"   | 6.50"     | L08187   |



| Item No. | Part Description                   | Part Number  |
|----------|------------------------------------|--------------|
| 1        | Case, Volute                       | H05129       |
| 2        | Impeller                           | See Table I  |
| 13A      | Rings, Packing [Set of 6]          | S13469       |
| 13B      | Rings, Packing [Set of 6]          | S13470       |
| 14A      | Sleeve, Shaft [2 Req.]             | S00619       |
| 14B      | Sleeve, Shaft                      | S05149       |
| 17A      | Gland, Packing                     | B82469       |
| 17B      | Gland, Packing                     | B82470       |
| 26A      | Screw, Impeller 3/8 - 16 x 1"      | S23566       |
| 26B      | Screw, Impeller 1/2 - 13 x 1"      | S23619       |
| 32A      | Key, 3/16 x 1-1/4" [See Note]      | S34383       |
| 32B      | Key, 1/4 x 2-1/4" [See Note]       | S23677       |
| 69A      | Washer, Impeller                   | S06314       |
| 69B      | Washer, Impeller                   | S06319       |
| 71       | Bracket                            | See Table II |
| 73       | Gasket, Volute                     | S04757       |
| 800A     | Capscrew, 3/8 - 16 x 7/8" [4 Req.] | S26825       |
| 800B     | Capscrew, 1/2 - 13 x 1" [4 Req.]   | S26912       |
| 801A     | Stud, 1/2 - 13 x 1-1/2" [4 Req.]   | S24043       |
| 801B     | Stud, 3/8 - 16 x 4" [2 Req.]       | S08303       |
| 801C     | Stud, 3/8 - 16 x 3-1/2" [2 Req.]   | S04441       |
| 802A     | Nut, Hex 1/2 - 13 [4 Req.]         | S23107       |
| 802B     | Nut, Hex 3/8 - 16 [2 Req.]         | S23343       |
| 805A     | Washer, Lock                       | S23036       |
| 805B     | Washer, Lock                       | S23038       |
| 810      | Plug, Pipe 1/4" NPT [3 Req.]       | S23715       |

**Table II**

| HP  | PH | Bracket No. | "AK" Fit | "U" Dim. | Motor Frame |
|-----|----|-------------|----------|----------|-------------|
| 7.5 | 1  | L01951      | 8-1/2"   | 1-1/4"   | 213JP       |
| 7.5 | 3  | L01525      | 4-1/2"   | 7/8"     | 184JP       |
| 10  | 1  | L01951      | 8-1/2"   | 1-1/4"   | 215JP       |
| 10  | 3  | L01951      | 8-1/2"   | 1-1/4"   | 213JP       |
| 15  | 3  | L01951      | 8-1/2"   | 1-1/4"   | 215JP       |
| 20  | 3  | L01951      | 8-1/2"   | 1-1/4"   | 254JP       |

**NOTE:** For an explanation of the tabulated material found on this page and for impeller key location, refer to **Supplement A** located at the beginning of this section.



# BERKELEY® B3TPMS Silicon Bronze Impeller

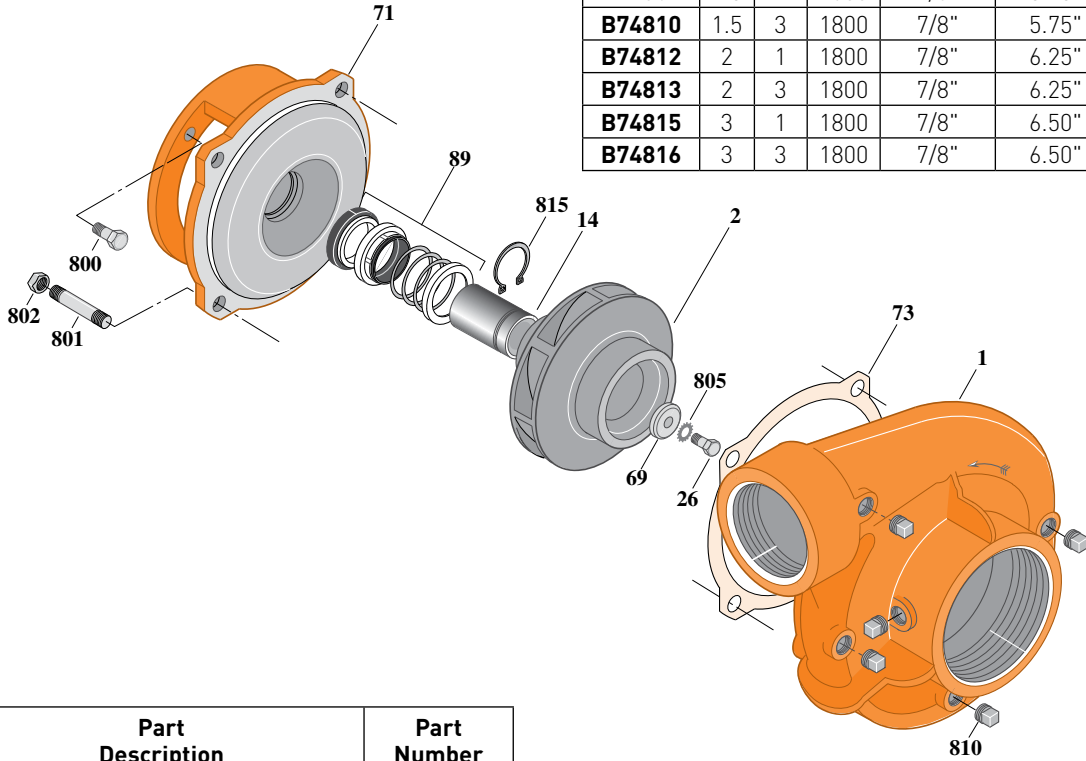
Threaded Case (NPT), Mechanical Shaft Seal Construction

## ELECTRIC MOTOR DRIVE

|                     |               |
|---------------------|---------------|
| Section             | CC            |
| Page                | 160.21        |
| Date                | March 4, 2013 |
| Supersedes 01/01/04 |               |

**Table I**

| B/M No.       | HP  | PH | RPM  | "U" Dim. | Imp. Dia. | Imp. No. |
|---------------|-----|----|------|----------|-----------|----------|
| <b>B74806</b> | 1   | 1  | 1800 | 7/8"     | 5.12"     | L08174   |
| <b>B74807</b> | 1   | 3  | 1800 | 7/8"     | 5.12"     | L08174   |
| <b>B74809</b> | 1.5 | 1  | 1800 | 7/8"     | 5.75"     | L08172   |
| <b>B74810</b> | 1.5 | 3  | 1800 | 7/8"     | 5.75"     | L08172   |
| <b>B74812</b> | 2   | 1  | 1800 | 7/8"     | 6.25"     | L08168   |
| <b>B74813</b> | 2   | 3  | 1800 | 7/8"     | 6.25"     | L08168   |
| <b>B74815</b> | 3   | 1  | 1800 | 7/8"     | 6.50"     | L08169   |
| <b>B74816</b> | 3   | 3  | 1800 | 7/8"     | 6.50"     | L08169   |



| Item No. | Part Description                 | Part Number  |
|----------|----------------------------------|--------------|
| 1        | Case, Volute                     | L01104       |
| 2        | Impeller                         | See Table I  |
| 14       | Sleeve, Shaft                    | S19310L      |
| 26       | Screw, Impeller 3/8 - 16 x 1"    | S23566       |
| 32       | Key, 3/16 x 1-1/4" [See Note]    | S34383       |
| 69       | Washer, Impeller                 | S06314       |
| 71       | Bracket                          | See Table II |
| 73       | Gasket, Volute                   | S04757       |
| 89       | Seal, Mechanical Shaft           | S32014       |
| 800      | Capscrew, 3/8 - 16 x 1" [4 Req.] | S26826       |
| 801      | Stud, 1/2 - 13 x 1-1/2" [4 Req.] | S24043       |
| 802      | Nut, 1/2 - 13 [4 Req.]           | S23107       |
| 805      | Washer, Lock                     | S23036       |
| 810      | Plug, Pipe 1/4" NPT [5 Req.]     | S23715       |
| 815      | Ring, Retaining                  | S11207       |
| •        | Plug, Pipe 1/8" NPT (In Bracket) | S23714       |

• Not illustrated.

**Table II**

| HP  | PH | Bracket No. | "AK" Fit | "U" Dim. | Motor Frame |
|-----|----|-------------|----------|----------|-------------|
| 1   | 1  | L05329      | 4-1/2"   | 7/8"     | 143JM       |
| 1   | 3  | L05329      | 4-1/2"   | 7/8"     | 143JM       |
| 1.5 | 1  | L05329      | 4-1/2"   | 7/8"     | 145JM       |
| 1.5 | 3  | L05329      | 4-1/2"   | 7/8"     | 145JM       |
| 2   | 1  | L05329      | 4-1/2"   | 7/8"     | 182JM       |
| 2   | 3  | L05329      | 4-1/2"   | 7/8"     | 145JM       |
| 3   | 1  | L05329      | 4-1/2"   | 7/8"     | 184JM       |
| 3   | 3  | L05329      | 4-1/2"   | 7/8"     | 182JM       |

**NOTE 1:** For an explanation of the tabulated material found on this page and for impeller key location, refer to **Supplement A** located at the beginning of this section.

**NOTE 2:** For seal flush line details, see **Supplement D**.





# BERKELEY® B3TPMS Silicon Bronze Impeller

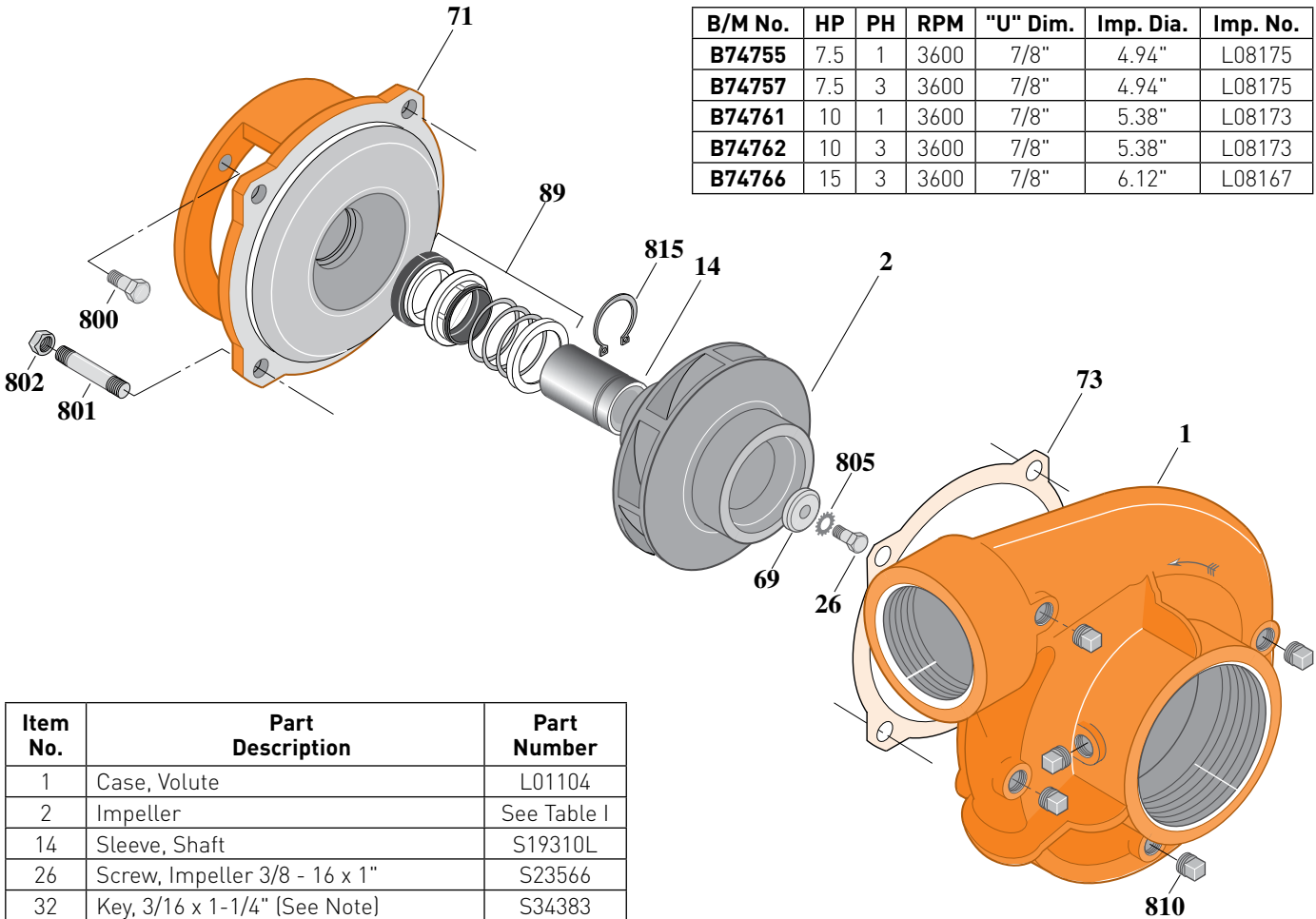
Threaded Case (NPT), Mechanical Shaft Seal Construction

ELECTRIC MOTOR DRIVE

|                     |               |
|---------------------|---------------|
| Section             | CC            |
| Page                | 160.22        |
| Date                | March 4, 2013 |
| Supersedes 01/01/04 |               |

Table I

| B/M No. | HP  | PH | RPM  | "U" Dim. | Imp. Dia. | Imp. No. |
|---------|-----|----|------|----------|-----------|----------|
| B74755  | 7.5 | 1  | 3600 | 7/8"     | 4.94"     | L08175   |
| B74757  | 7.5 | 3  | 3600 | 7/8"     | 4.94"     | L08175   |
| B74761  | 10  | 1  | 3600 | 7/8"     | 5.38"     | L08173   |
| B74762  | 10  | 3  | 3600 | 7/8"     | 5.38"     | L08173   |
| B74766  | 15  | 3  | 3600 | 7/8"     | 6.12"     | L08167   |



1481 0195

| Item No. | Part Description                                   | Part Number  |
|----------|--|--------------|
| 1        | Case, Volute                                       | L01104       |
| 2        | Impeller   | See Table I  |
| 14       | Sleeve, Shaft                                      | S19310L      |
| 26       | Screw, Impeller 3/8 - 16 x 1"                      | S23566       |
| 32       | Key, 3/16 x 1-1/4" [See Note]                      | S34383       |
| 69       | Washer, Impeller                                   | S06314       |
| 71       | Bracket  | See Table II |
| 73       | Gasket, Volute                                     | S04757       |
| 89       | Seal, Mechanical Shaft                             | S32014       |
| 800      | Capscrew, 3/8 - 16 x 1" (4 Req.)<br>[For 4-1/2 AK] | S26826       |
| 800      | Capscrew, 1/2 - 13 x 1" (4 Req.)<br>[For 8-1/2 AK] | S26912       |
| 801      | Stud, 1/2 - 13 x 1-1/2" (4 Req.)                   | S24043       |
| 802      | Nut, 1/2 - 13 (4 Req.)                             | S23107       |
| 805      | Washer, Lock                                       | S23036       |
| 810      | Plug, Pipe 1/4" NPT (5 Req.)                       | S23715       |
| 815      | Ring, Retaining                                    | S11207       |
| •        | Plug, Pipe 1/8" NPT (In Bracket)                   | S23714       |

• Not illustrated.

Table II

| HP  | PH | Bracket No. | "AK" Fit | "U" Dim. | Motor Frame |
|-----|----|-------------|----------|----------|-------------|
| 7.5 | 1  | L05328      | 8-1/2"   | 7/8"     | 213JM       |
| 7.5 | 3  | L05329      | 4-1/2"   | 7/8"     | 184JM       |
| 10  | 1  | L05328      | 8-1/2"   | 7/8"     | 215JM       |
| 10  | 3  | L05328      | 8-1/2"   | 7/8"     | 213JM       |
| 15  | 3  | L05328      | 8-1/2"   | 7/8"     | 215JM       |

**NOTE 1:** For an explanation of the tabulated material found on this page and for impeller key location, refer to **Supplement A** located at the beginning of this section.

**NOTE 2:** For seal flush line details, see **Supplement D**.



# BERKELEY® B3TPMS Silicon Bronze Impeller

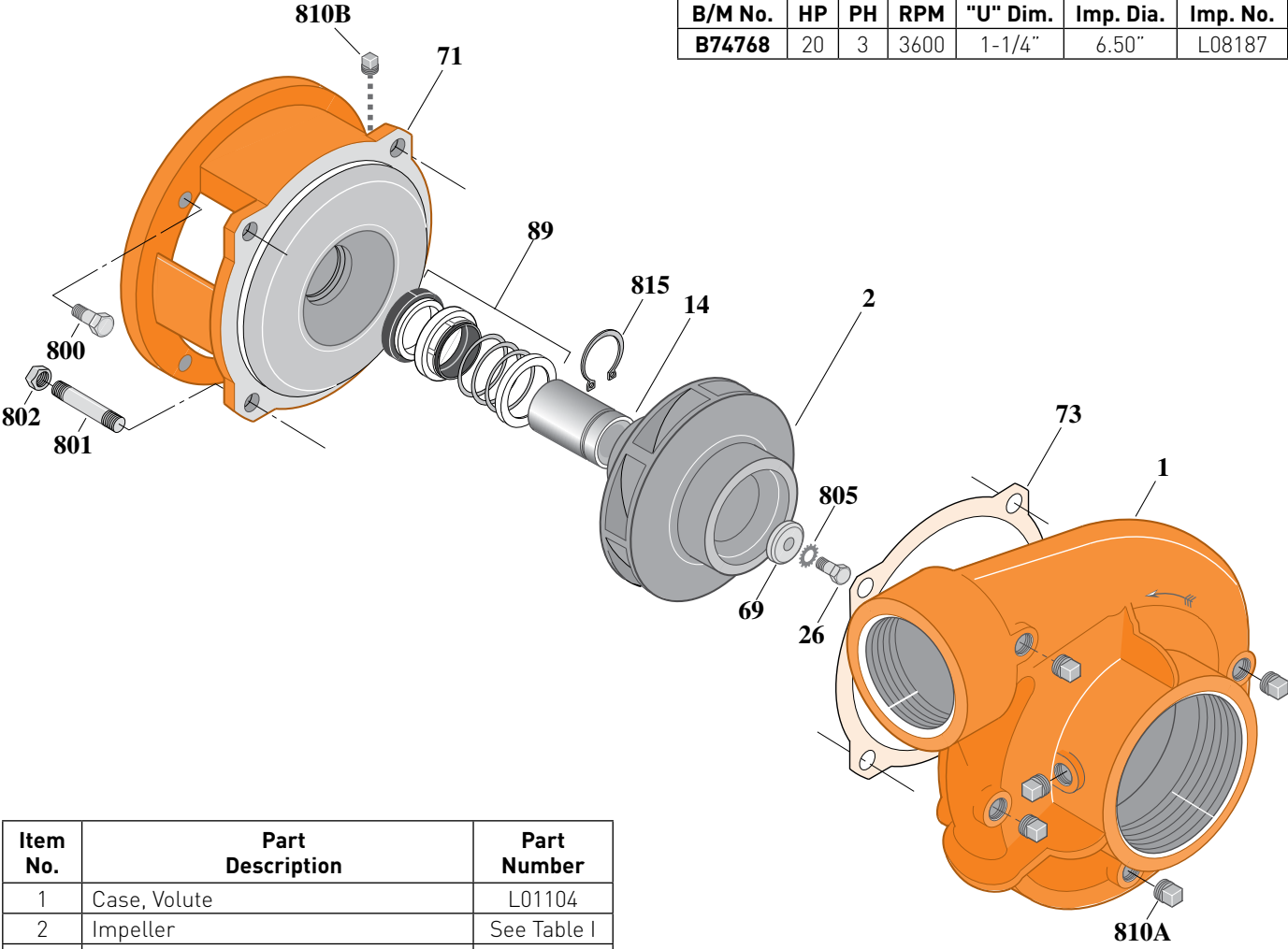
Threaded Case (NPT), Mechanical Shaft Seal Construction

ELECTRIC MOTOR DRIVE

|                     |               |
|---------------------|---------------|
| Section             | CC            |
| Page                | 160.23        |
| Date                | March 4, 2013 |
| Supersedes 09/01/97 |               |

Table I

| B/M No. | HP | PH | RPM  | "U" Dim. | Imp. Dia. | Imp. No. |
|---------|----|----|------|----------|-----------|----------|
| B74768  | 20 | 3  | 3600 | 1-1/4"   | 6.50"     | L08187   |



1490 0195

| Item No. | Part Description                 | Part Number  |
|----------|----------------------------------|--------------|
| 1        | Case, Volute                     | L01104       |
| 2        | Impeller                         | See Table I  |
| 14       | Sleeve, Shaft                    | S18869       |
| 26       | Screw, Impeller 1/2 - 13 x 1"    | S23619       |
| 32       | Key, 1/4 x 2-1/4" (See Note)     | S23677       |
| 69       | Washer, Impeller                 | S06319       |
| 71       | Bracket                          | See Table II |
| 73       | Gasket, Volute                   | S04757       |
| 89       | Seal, Mechanical Shaft           | S32015       |
| 800      | Capscrew, 1/2 - 13 x 1" (4 Req.) | S26912       |
| 801      | Stud, 1/2 - 13 x 1-1/2" (4 Req.) | S24043       |
| 802      | Nut, 1/2 - 13 (4 Req.)           | S23107       |
| 805      | Washer, Lock                     | S23038       |
| 810A     | Plug, Pipe 1/4" NPT (5 Req.)     | S23715       |
| 810B     | Plug, Pipe 1/8" NPT (In Bracket) | S23714       |
| 815      | Ring, Retaining                  | S16767       |

Table II

| HP | PH | Bracket No. | "AK" Fit | "U" Dim. | Motor Frame |
|----|----|-------------|----------|----------|-------------|
| 20 | 3  | L05779      | 8-1/2"   | 1-1/4"   | 254JM       |

**NOTE 1:** For an explanation of the tabulated material found on this page and for impeller key location, refer to **Supplement A** located at the beginning of this section.

**NOTE 2:** For seal flush line details, see **Supplement D**.



# BERKELEY® B3TPMS Silicon Bronze Impeller

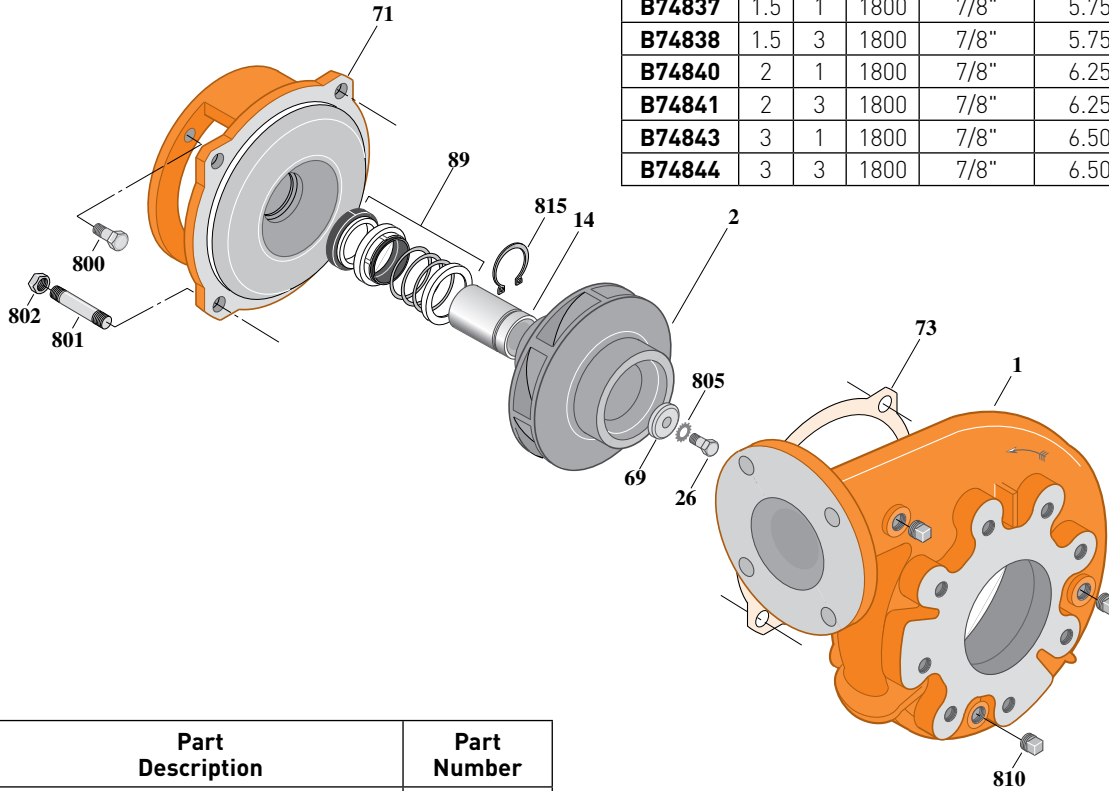
Flanged Case, Mechanical Shaft Seal Construction

## ELECTRIC MOTOR DRIVE

|                     |               |
|---------------------|---------------|
| Section             | CC            |
| Page                | 160.24        |
| Date                | March 4, 2013 |
| Supersedes 01/01/04 |               |

**Table I**

| B/M No.       | HP  | PH | RPM  | "U" Dim. | Imp. Dia. | Imp. No. |
|---------------|-----|----|------|----------|-----------|----------|
| <b>B74834</b> | 1   | 1  | 1800 | 7/8"     | 5.12"     | L08174   |
| <b>B74835</b> | 1   | 3  | 1800 | 7/8"     | 5.12"     | L08174   |
| <b>B74837</b> | 1.5 | 1  | 1800 | 7/8"     | 5.75"     | L08172   |
| <b>B74838</b> | 1.5 | 3  | 1800 | 7/8"     | 5.75"     | L08172   |
| <b>B74840</b> | 2   | 1  | 1800 | 7/8"     | 6.25"     | L08168   |
| <b>B74841</b> | 2   | 3  | 1800 | 7/8"     | 6.25"     | L08168   |
| <b>B74843</b> | 3   | 1  | 1800 | 7/8"     | 6.50"     | L08169   |
| <b>B74844</b> | 3   | 3  | 1800 | 7/8"     | 6.50"     | L08169   |



| Item No. | Part Description                 | Part Number  |
|----------|----------------------------------|--------------|
| 1        | Case, Volute                     | H05129       |
| 2        | Impeller                         | See Table I  |
| 14       | Sleeve, Shaft                    | S19310L      |
| 26       | Screw, Impeller 3/8 - 16 x 1"    | S23566       |
| 32       | Key, 3/16 x 1-1/4" [See Note]    | S34383       |
| 69       | Washer, Impeller                 | S06314       |
| 71       | Bracket                          | See Table II |
| 73       | Gasket, Volute                   | S04757       |
| 89       | Seal, Mechanical Shaft           | S32014       |
| 800      | Capscrew, 3/8 - 16 x 1" (4 Req.) | S26826       |
| 801      | Stud, 1/2 - 13 x 1-1/2" (4 Req.) | S24043       |
| 802      | Nut, 1/2 - 13 (4 Req.)           | S23107       |
| 805      | Washer, Lock                     | S23036       |
| 810      | Plug, Pipe 1/4" NPT (3 Req.)     | S23715       |
| 815      | Ring, Retaining                  | S11207       |
| •        | Plug, Pipe 1/8" NPT (In Bracket) | S23714       |

\* Includes grease fitting and set screw.

**Table II**

| HP  | PH | Bracket No. | "AK" Fit | "U" Dim. | Motor Frame |
|-----|----|-------------|----------|----------|-------------|
| 1   | 1  | L05329      | 4-1/2"   | 7/8"     | 143JM       |
| 1   | 3  | L05329      | 4-1/2"   | 7/8"     | 143JM       |
| 1.5 | 1  | L05329      | 4-1/2"   | 7/8"     | 145JM       |
| 1.5 | 3  | L05329      | 4-1/2"   | 7/8"     | 145JM       |
| 2   | 1  | L05329      | 4-1/2"   | 7/8"     | 182JM       |
| 2   | 3  | L05329      | 4-1/2"   | 7/8"     | 145JM       |
| 3   | 1  | L05329      | 4-1/2"   | 7/8"     | 184JM       |
| 3   | 3  | L05329      | 4-1/2"   | 7/8"     | 182JM       |

**NOTE 1:** For an explanation of the tabulated material found on this page and for impeller key location, refer to **Supplement A** located at the beginning of this section.

**NOTE 2:** For seal flush line details, see **Supplement D**.



# BERKELEY® B3TPMS Silicon Bronze Impeller

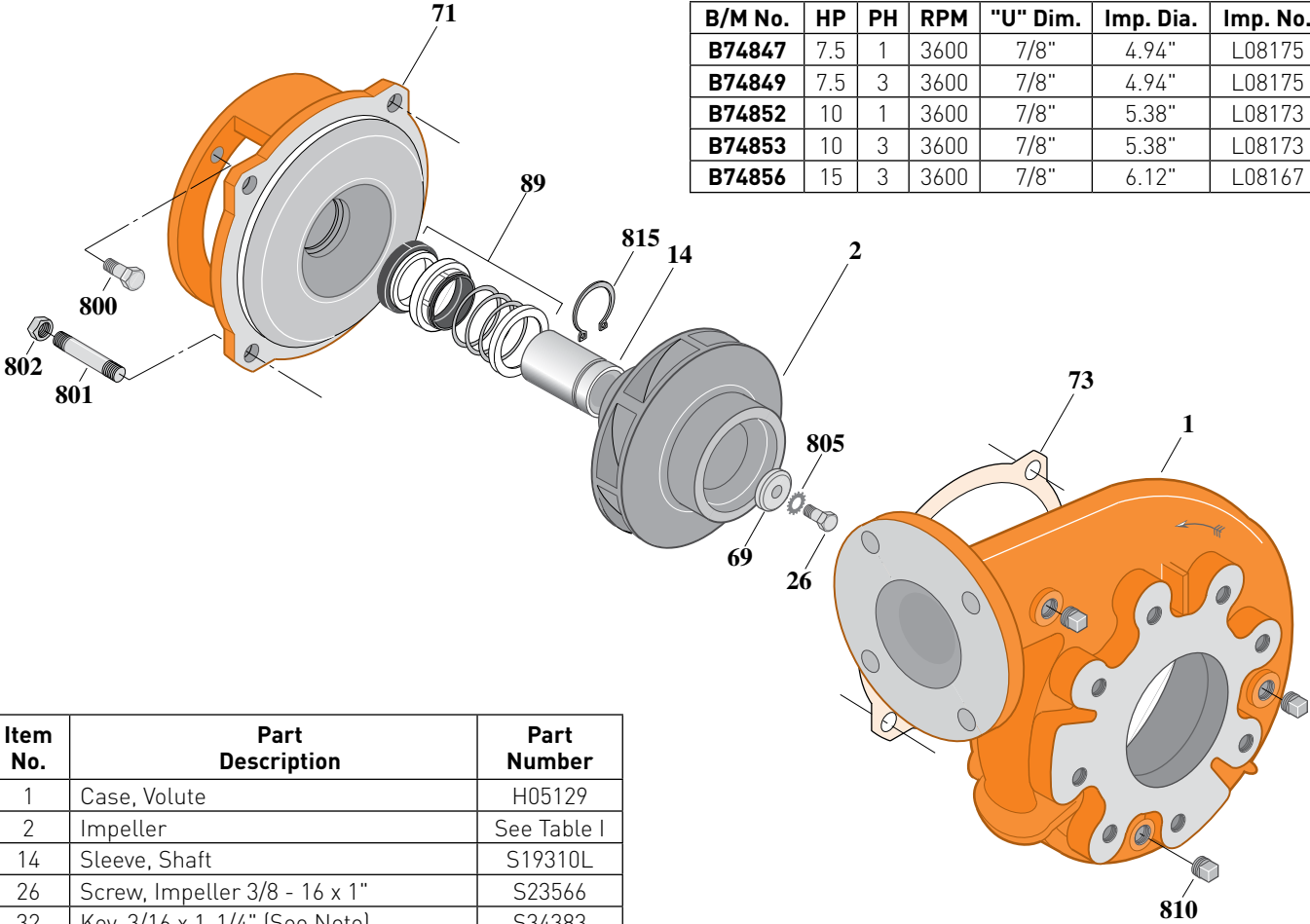
Flanged Case, Mechanical Shaft Seal Construction

ELECTRIC MOTOR DRIVE

|                     |               |
|---------------------|---------------|
| Section             | CC            |
| Page                | 160.25        |
| Date                | March 4, 2013 |
| Supersedes 01/01/04 |               |

Table I

| B/M No. | HP  | PH | RPM  | "U" Dim. | Imp. Dia. | Imp. No. |
|---------|-----|----|------|----------|-----------|----------|
| B74847  | 7.5 | 1  | 3600 | 7/8"     | 4.94"     | L08175   |
| B74849  | 7.5 | 3  | 3600 | 7/8"     | 4.94"     | L08175   |
| B74852  | 10  | 1  | 3600 | 7/8"     | 5.38"     | L08173   |
| B74853  | 10  | 3  | 3600 | 7/8"     | 5.38"     | L08173   |
| B74856  | 15  | 3  | 3600 | 7/8"     | 6.12"     | L08167   |



1482 0195

| Item No. | Part Description                                | Part Number  |
|----------|---|--------------|
| 1        | Case, Volute                                    | H05129       |
| 2        | Impeller  | See Table I  |
| 14       | Sleeve, Shaft                                   | S19310L      |
| 26       | Screw, Impeller 3/8 - 16 x 1"                   | S23566       |
| 32       | Key, 3/16 x 1-1/4" [See Note]                   | S34383       |
| 40       | Washer, Impeller                                | S06314       |
| 71       | Bracket   | See Table II |
| 73       | Gasket, Volute                                  | S04757       |
| 89       | Seal, Mechanical Shaft                          | S32014       |
| 800      | Capscrew, 3/8 - 16 x 1" (4 Req.) [For 4-1/2 AK] | S26826       |
| 800      | Capscrew, 1/2 - 13 x 1" (4 Req.) [For 8-1/2 AK] | S26912       |
| 801      | Stud, 1/2 - 13 x 1-1/2" (4 Req.)                | S24043       |
| 802      | Nut, 1/2 - 13 (4 Req.)                          | S23107       |
| 805      | Washer, Lock                                    | S23036       |
| 810      | Plug, Pipe 1/4" NPT (3 Req.)                    | S23715       |
| 815      | Ring, Retaining                                 | S11207       |
| •        | Plug, Pipe 1/8" NPT (In Bracket)                | S23714       |

• Not illustrated.

Table II

| HP  | PH | Bracket No. | "AK" Fit | "U" Dim. | Motor Frame |
|-----|----|-------------|----------|----------|-------------|
| 7.5 | 1  | L05328      | 8-1/2"   | 7/8"     | 213JM       |
| 7.5 | 3  | L05329      | 4-1/2"   | 7/8"     | 184JM       |
| 10  | 1  | L05328      | 8-1/2"   | 7/8"     | 215JM       |
| 10  | 3  | L05328      | 8-1/2"   | 7/8"     | 213JM       |
| 15  | 3  | L05328      | 8-1/2"   | 7/8"     | 215JM       |

**NOTE 1:** For an explanation of the tabulated material found on this page and for impeller key location, refer to **Supplement A** located at the beginning of this section.

**NOTE 2:** For seal flush line details, see **Supplement D**.



# BERKELEY® B3TPMS Silicon Bronze Impeller

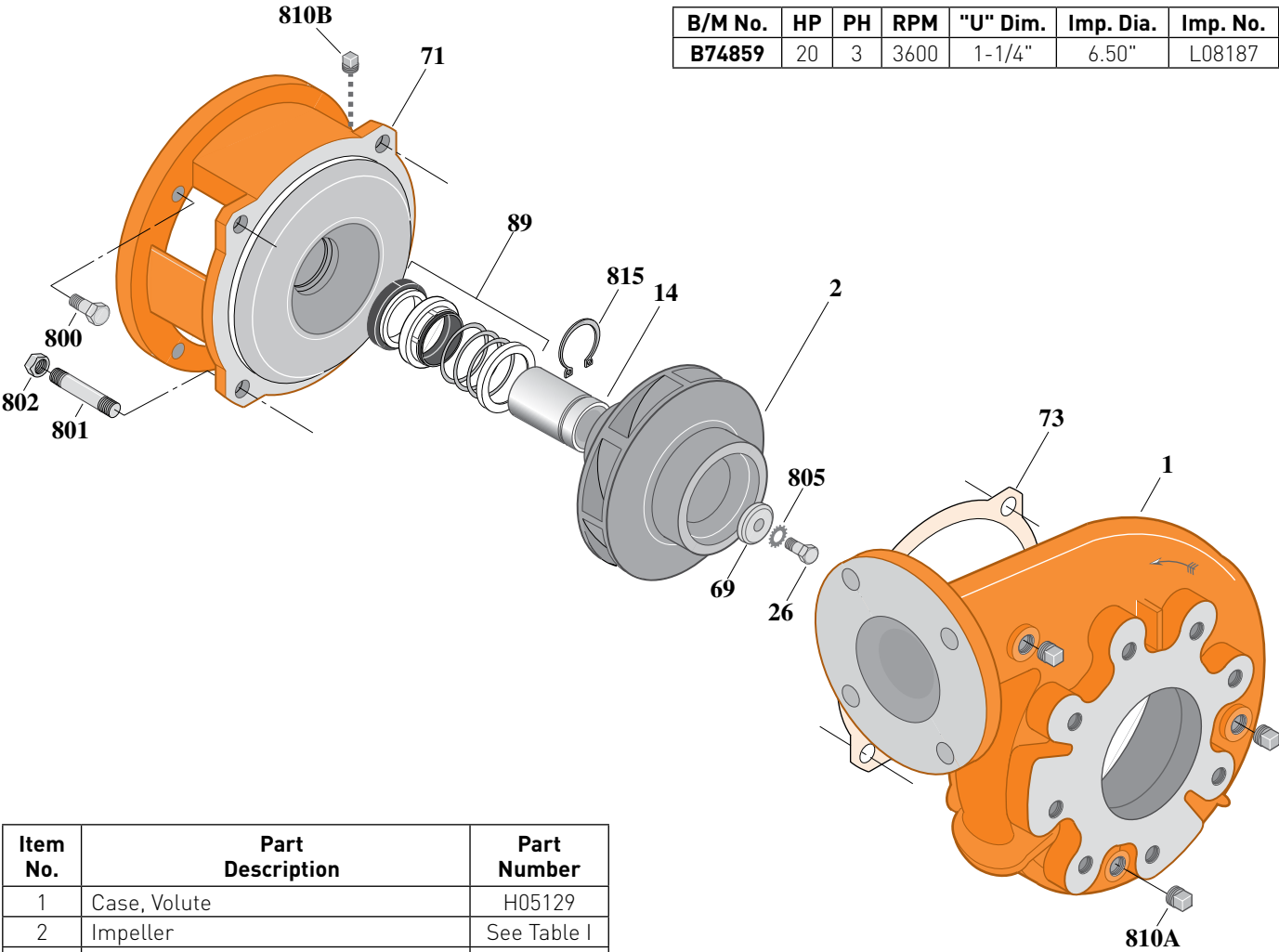
Flanged Case, Mechanical Shaft Seal Construction

## ELECTRIC MOTOR DRIVE

|                     |               |
|---------------------|---------------|
| Section             | CC            |
| Page                | 160.26        |
| Date                | March 4, 2013 |
| Supersedes 01/01/04 |               |

**Table I**

| B/M No. | HP | PH | RPM  | "U" Dim. | Imp. Dia. | Imp. No. |
|---------|----|----|------|----------|-----------|----------|
| B74859  | 20 | 3  | 3600 | 1-1/4"   | 6.50"     | L08187   |



1491 0195

| Item No. | Part Description                 | Part Number  |
|----------|----------------------------------|--------------|
| 1        | Case, Volute                     | H05129       |
| 2        | Impeller                         | See Table I  |
| 14       | Sleeve, Shaft                    | S18869       |
| 26       | Screw, Impeller 1/2 - 13 x 1"    | S23619       |
| 32       | Key, 1/4 x 2-1/4" [See Note]     | S23677       |
| 69       | Washer, Impeller                 | S06319       |
| 71       | Bracket                          | See Table II |
| 73       | Gasket, Volute                   | S04757       |
| 89       | Seal, Mechanical Shaft           | S32015       |
| 800      | Capscrew, 1/2 - 13 x 1" [4 Req.] | S26912       |
| 801      | Stud, 1/2 - 13 x 1-1/2" [4 Req.] | S24043       |
| 802      | Nut, 1/2 - 13 [4 Req.]           | S23107       |
| 805      | Washer, Lock                     | S23038       |
| 810A     | Plug, Pipe 1/4" NPT [3 Req.]     | S23715       |
| 810B     | Plug, Pipe 1/8" NPT [In Bracket] | S23714       |
| 815      | Ring, Retaining                  | S16767       |

**Table II**

| HP | PH | Bracket No. | "AK" Fit | "U" Dim. | Motor Frame |
|----|----|-------------|----------|----------|-------------|
| 20 | 3  | L05779      | 8-1/2"   | 1-1/4"   | 254JM       |

**NOTE 1:** For an explanation of the tabulated material found on this page and for impeller key location, refer to **Supplement A** located at the beginning of this section.

**NOTE 2:** For seal flush line details, see **Supplement D**.

